

Step 1

Select Upright Assembly (see page 61)

Select Uprights by size in either fully welded set-up or knocked down

Step 2

Select Beam (see page 61)

Select Beam based on width of opening and weight capacity needed:

- Heavy and Extra Heavy-Duty "Z" Beams
- Low-Profile Beams

Step 3

Select Decking (see page 62)

Select Decking based on size and style desired:

- Solid Decking
- Particle Board Decking
- Ribbed Decking
- Wire Decking

Step 4

Select Front-to-Back Supports (see page 63)

Select Front-To-Back Support based on depth of upright and decking

Step 5

Select Accessories (see page 63)



Color Selection

In Stock

DD Dove Gray

PP Putty

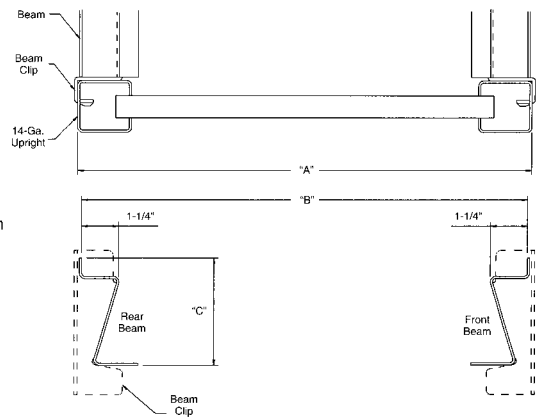
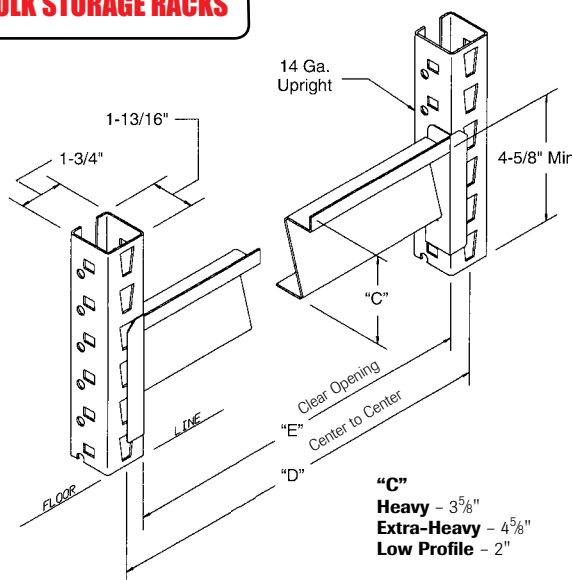
1 DIMENSIONS FOR BULK STORAGE RACKS

When figuring floor space for Lyon bulk storage racks, first add 4 7/8" to nominal beam length for width of single section.

Next, add 2 15/32" to nominal beam length for each additional section.

Then, add 9/16" to nominal depth of upright assembly.

Also, racks must be level and plumb and installed per assembly instruction #10206-AA.



Nominal Rack Depth	Rack Depth "A"	Inside Depth "B"
15"	15 9/16"	15 1/4"
18"	18 9/16"	18 1/4"
24"	24 9/16"	24 1/4"
30"	30 9/16"	30 1/4"
36"	36 9/16"	36 1/4"
42"	42 9/16"	42 1/4"
48"	48 9/16"	48 1/4"

Capacities shown are maximum safe evenly distributed static loads per pair of beams with front-to-back support. Upright capacities are based on beam centers no greater than 36".