

**Step 1**

**Select Upright Assembly**

Choose All-Welded or K.D.

- Welded Upright has tubular bracing, mig-welded to post
- K.D. (knocked down) Upright includes two posts and two or more bolt on ladder braces
  - Upright: 1<sup>3</sup>/<sub>4</sub>" x 1<sup>13</sup>/<sub>16</sub>"
  - 14-gauge
  - Adjustment on 1<sup>1</sup>/<sub>2</sub>" centers
- 10,000 lb. capacity per section (All-Welded or K.D.)



**K.D. Upright Posts Only**

Height	Cat. No.
60"	63602
72"	63603
84"	63604
96"	63605
120"	63607
144"	63609

**K.D. Ladder Braces Only**

Use as replacement, or as a component

Depth	Cat. No.
15"	63515
18"	63518
24"	63524
30"	63530
36"	63536
42"	63542
48"	63548

Depth	60" High		72" High		84" High		96" High		120" High		144" High	
	Set-Up Cat. No.	K.D. Cat. No.	Set-Up Cat. No.	K.D. Cat. No.	Set-Up Cat. No.	K.D. Cat. No.	Set-Up Cat. No.	K.D. Cat. No.	Set-Up Cat. No.	K.D. Cat. No.	Set-Up Cat. No.	K.D. Cat. No.
15"	N/A	63152	N/A	63153	N/A	63154	N/A	63155	N/A	63157	N/A	63159
18"	N/A	63182	N/A	63183	N/A	63184	N/A	63185	N/A	63187	N/A	63189
24"	64242	63242	64243	63243	64244	63244	64245	63245	64247	63247	64249	63249
30"	64302	63302	64303	63303	64304	63304	64305	63305	64307	63307	64309	63309
36"	64362	63362	64363	63363	64364	63364	64365	63365	64367	63367	64369	63369
42"	64422	63422	64423	63423	64424	63424	64425	63425	64427	63427	64429	63429
48"	64482	63482	64483	63483	64484	63484	64485	63485	64487	63487	64489	63489

**Step 2**

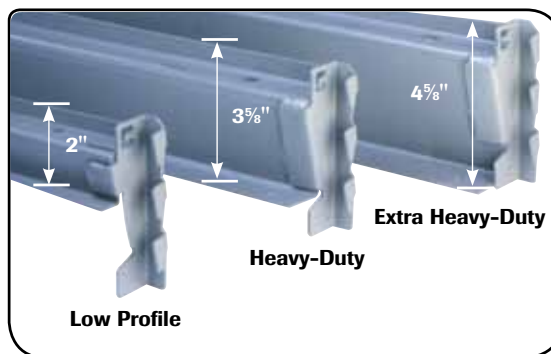
**Heavy and Extra Heavy-Duty "Z" Beams**

Unique "Z" beam design increases strength and load capacity, resists tipping and eliminates wasted space, front-to-back. Beam clips are mig-welded for added strength. Fold in lock tab easily engages for security against displacement.

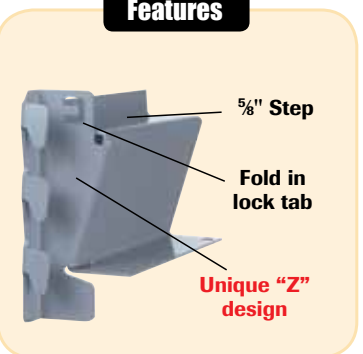
**Low-Profile Beams**

Offer light weight, high-density alternative for commercial applications. Narrow height design increases vertical storage capacity.

**Select Beams**



**Features**



Note: The catalog numbers in the chart below are sold as 2 packs

Nominal Width	Actual Width	"D"	"E"	Heavy-Duty Cat. No.	Capacity	Extra-Heavy Duty Cat. No.	Capacity	Low Profile Cat. No.	Capacity
48"	48 <sup>1</sup> / <sub>2</sub> "	50 <sup>15</sup> / <sub>32</sub> "	48 <sup>23</sup> / <sub>32</sub> "	62148	3,300 lbs.	*	*	62048	665 lbs.
60"	60 <sup>1</sup> / <sub>2</sub> "	62 <sup>15</sup> / <sub>32</sub> "	60 <sup>23</sup> / <sub>32</sub> "	62160	2,600 lbs.	*	*	62060	530 lbs.
72"	72 <sup>1</sup> / <sub>2</sub> "	74 <sup>15</sup> / <sub>32</sub> "	72 <sup>23</sup> / <sub>32</sub> "	62172	1,900 lbs.	62272	3,300 lbs.	62072	440 lbs.
84"	84 <sup>1</sup> / <sub>2</sub> "	86 <sup>15</sup> / <sub>32</sub> "	84 <sup>23</sup> / <sub>32</sub> "	62184	1,775 lbs.	*	*	62084	380 lbs.
96"	96 <sup>1</sup> / <sub>2</sub> "	98 <sup>15</sup> / <sub>32</sub> "	96 <sup>23</sup> / <sub>32</sub> "	62196	1,650 lbs.	62296	3,300 lbs.	62096	330 lbs.

Capacities shown are maximum safe evenly distributed static loads per pair of beams with front-to-back support. Upright capacities are based on beam centers no greater than 36".  
\*Items available through manufactured schedule.