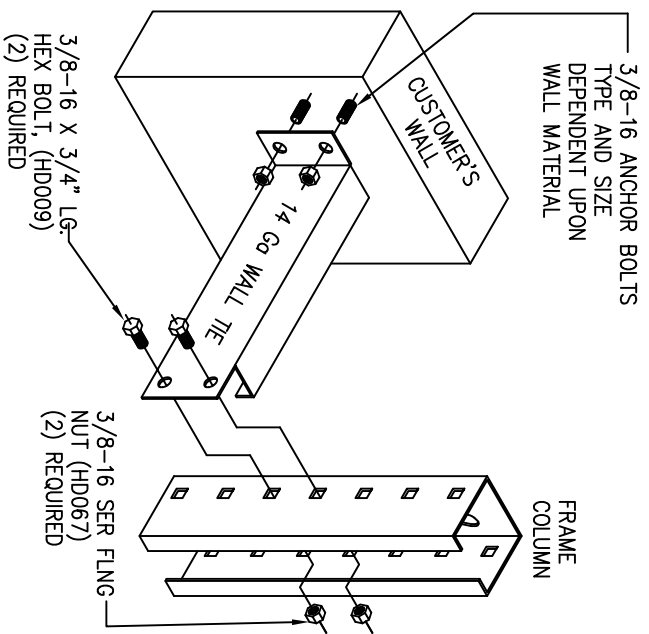
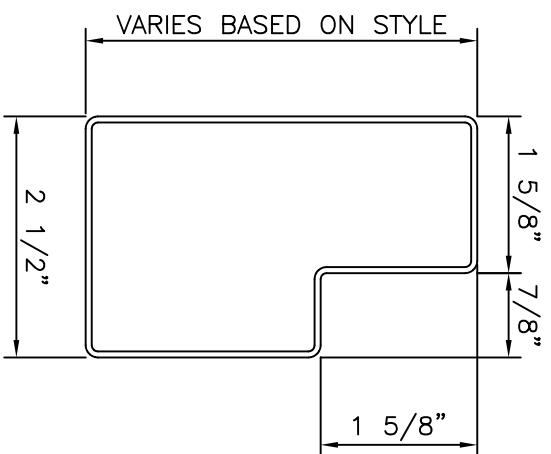


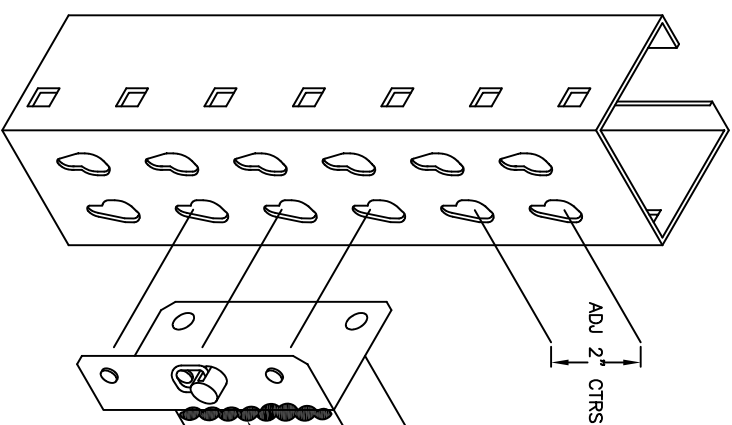
ROW SPACER - OPTIONAL ACCESSORY



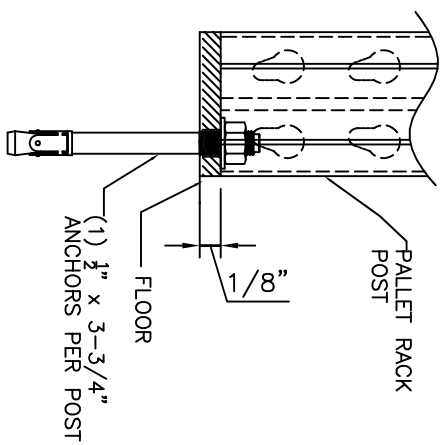
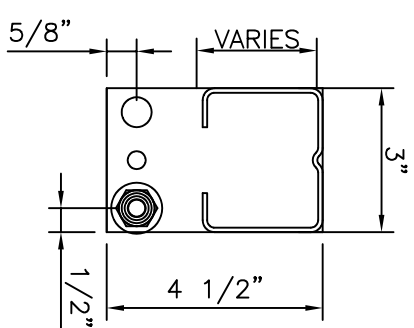
WALL TIE - OPTIONAL ACCESSORY



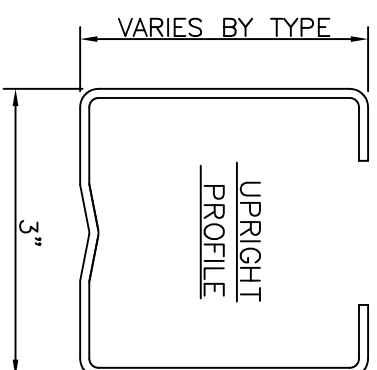
BEAM PROFILE



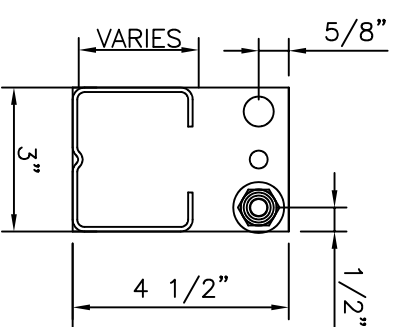
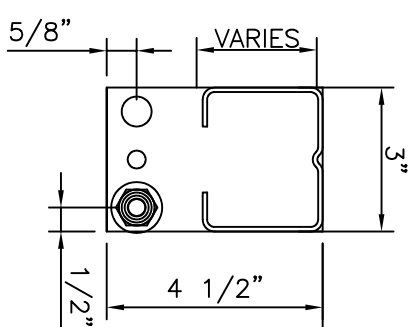
BEAM CONNECTION DETAIL



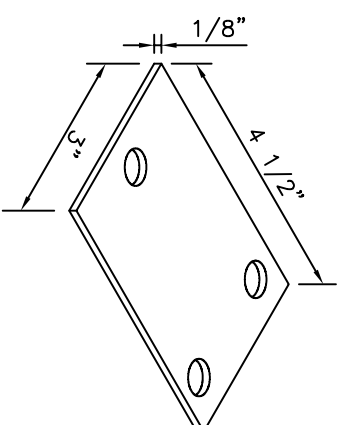
PALLET RACK FOOTPLATE DETAIL



POST PROFILE



UPRIGHT DEPTH VARIES (30",36",42",48")



NO	DATE	REV DESCRIPTION	BY
		PALLET RACK INSTRUCTION SHEET	
		PAGE 2 DETAILS	
LYON WORKSPACE PRODUCTS P.O. BOX 877 AUBURN, IL 69411 618-292-5941			
DRAWN BY: AM		DATE: 8/23/10	
SCALE: NONE			
DWG NO: 9115-CA			