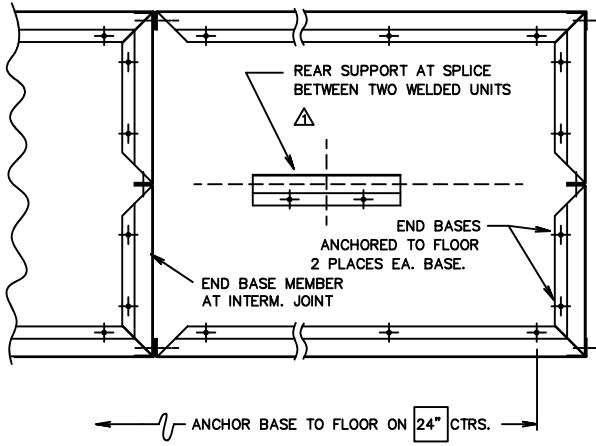
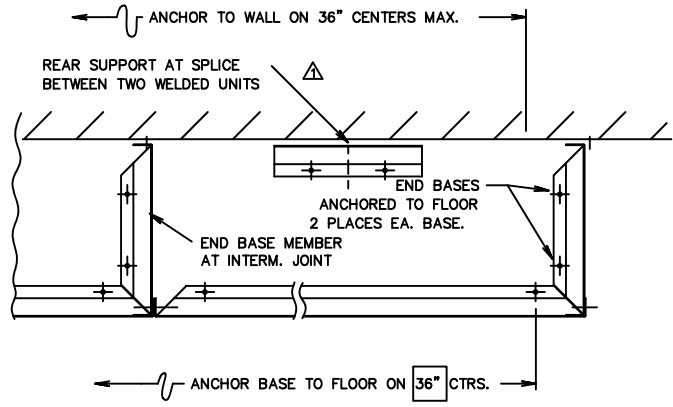


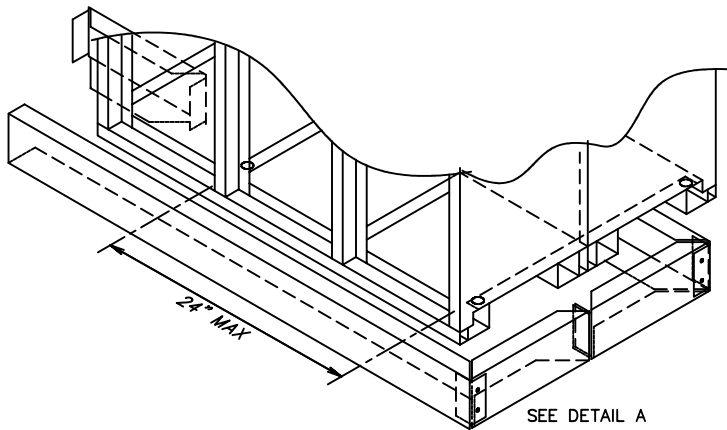
ASSEMBLY OF I.F.A.W. "C" BASE



PARTIAL PLAN VIEW OF "C" BASE

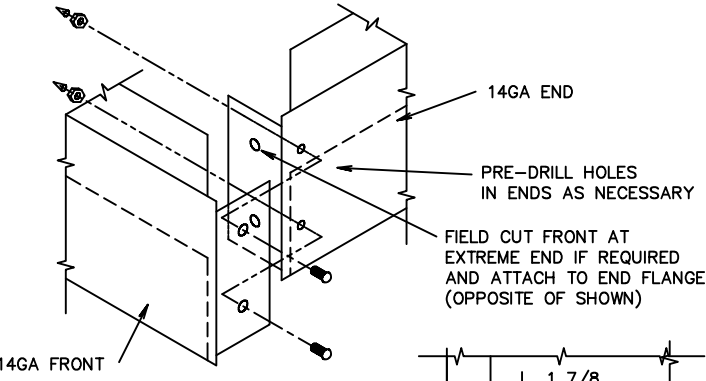


PARTIAL PLAN VIEW OF "C" BASE



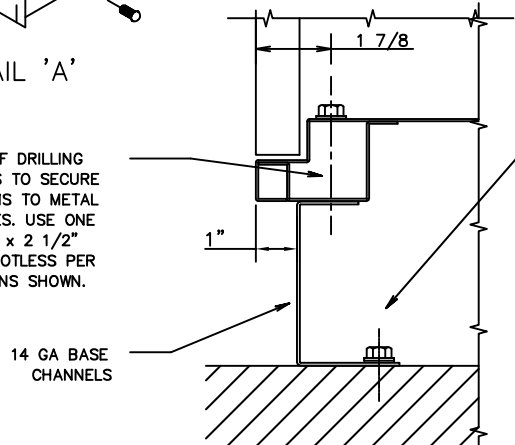
"C" BASE ASSEMBLY FOR DOUBLE ROW LOCKERS

ATTACH WITH #10-24 AND KEP NUTS

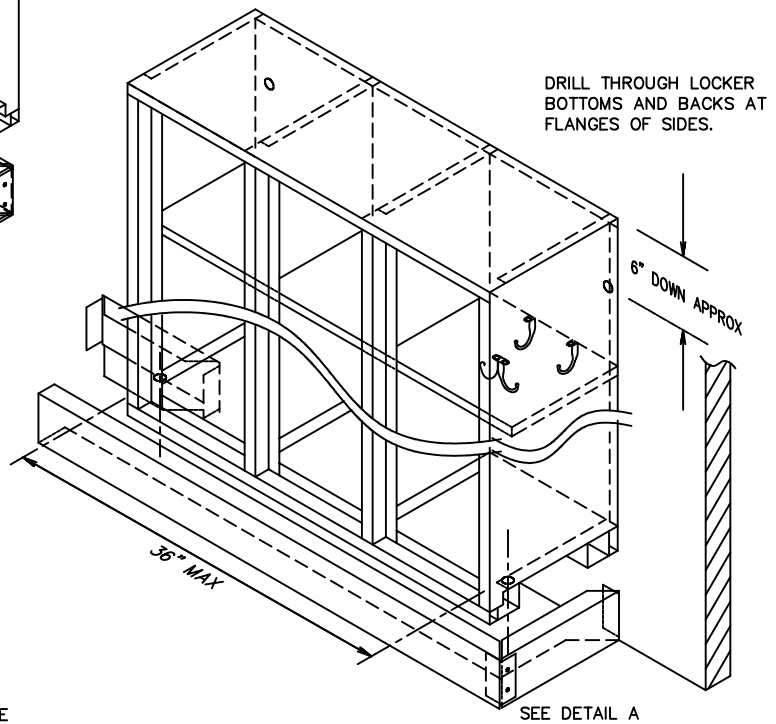


DETAIL 'A'

SELF DRILLING SCREWS TO SECURE BOTTOMS TO METAL BASES. USE ONE #10 (MIN) x 2 1/2" HH SLOTLESS PER INSTRUCTIONS SHOWN.



PARTIAL BOTTOM SECTION FOR LOCKERS W/ "C" BASE



"C" BASE ASSEMBLY FOR SINGLE ROW LOCKERS

WARNING:

ANCHORS MUST HAVE A MIN PULL-OUT VALUE OF 190 LBS. SEE INSTRUCTIONS 10105-DA FOR ANCHORING RECOMMENDATIONS. (ANCHOR HARDWARE NOT FURNISHED BY LYON)

NOTE:

IN ADDITION TO THE INSTRUCTIONS ABOVE: BOLT SIDE BY SIDE ALL-WELDED UNITS IN 3 PLACES WITH 9P1568 SCREW AND OP10288 KEP NUTS. TYPICAL FOR ALL LOCKERS.

<i>INSTALLATION INSTRUCTIONS FOR I.F.A.W. "C"-BASE</i>		
REVISIONS		
ECN# E-081298-01	08-11-99	
E-040120-1	7-27-04	
		10106-DA
		2-11-99