

ELECTRIC RACEWAY

30" / 36" / 48"

KEY	PART NUMBER	DESCRIPTION	30"	36"	48"
A	A007208	ELECTRIC RACEWAY BAR 30" W	1		
A	4007205	ELECTRIC RACEWAY BAR 36" W		1	
A	A007216	ELECTRIC RACEWAY BAR 48" W			1
	A007182	MOUNTING BRACKET	2	2	2
	A007201	MOUNTING BRACKET ELECTRIC RACEWAY	2	2	2
	020007	3/8-16 X 1 GRADE 2"	2	2	2
	030437	3/8-16 X 1/2 BUTTON HEAD SOCKET	2	2	2
	162618	OUTLET POWER STRIP W/6' CORD	1	1	1
	010014	8-32 X 3/4 ROUND HEAD SCREW	2	2	2
	040602	8-32 HEX NUT	2	2	2

**MISSING PARTS OR IN NEED
OF
ASSEMBLY ASSISTANCE?**

Contact us direct for fast friendly service (800) 433-8488

Int'l calls (630) 892-8941 | WEB: WWW.LYONWORKSPACE.COM | Fax (800) 367-6681

ASSEMBLY INSTRUCTIONS
FOR LYON SKY-WAL
ELECTRIC RACEWAY

LYON  LYON WORKSPACE PRODUCTS
P.O. BOX 671
201 5201 AURORA, IL 60507

10112AA

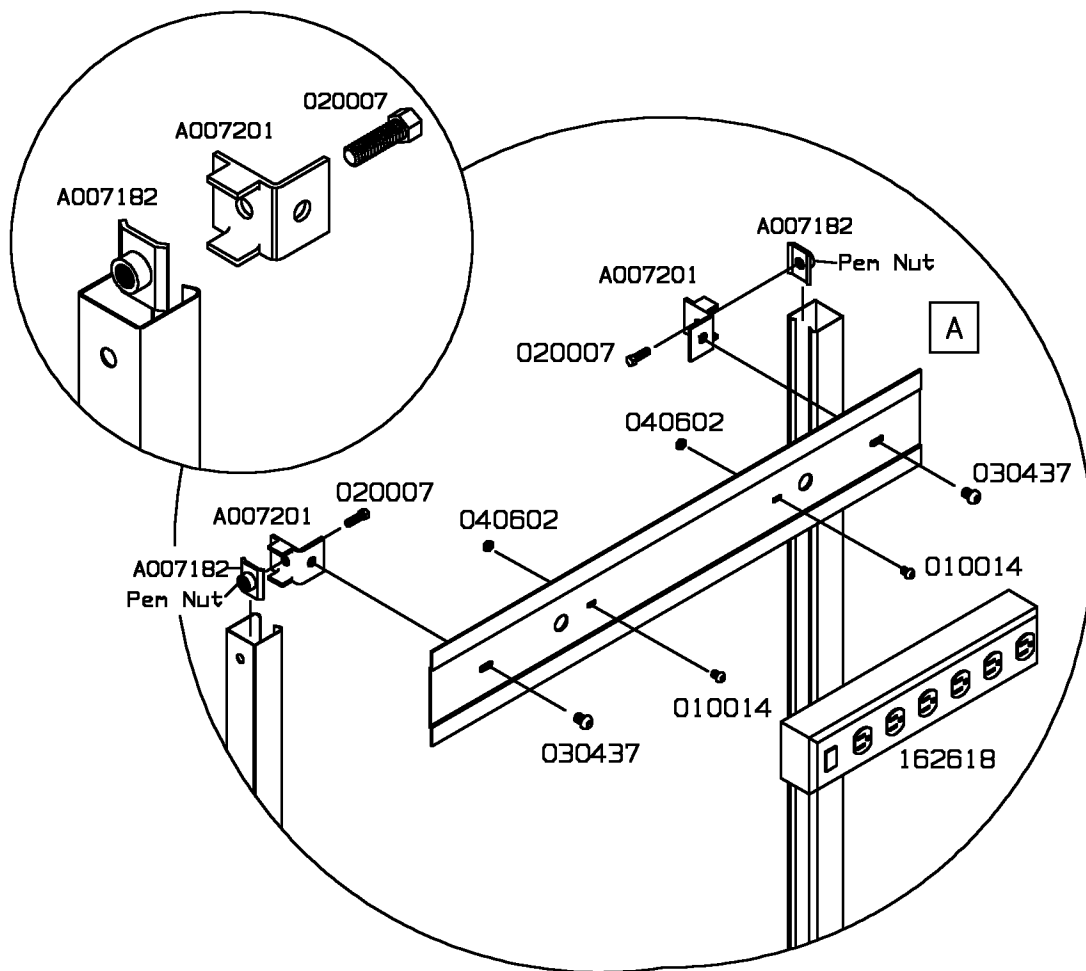
SHEET 1 OF 2

ELECTRIC RACEWAY

30" / 36" / 48"

1. Insert Mounting Bracket (A007182) into Upright Column. Note: Be sure Pen Nut of Rail Nut (A007182) is facing the inside of Upright Column.
2. Attach Mounting Bracket Electric Raceway (A007201) to Upright Column using Upright mounting bracket (A007182) and (020007). Do not tighten completely until after step 3. Repeat on other Upright Column.
3. Attach Electric Raceway bar (A) to Mounting Brackets (A007201) using Bolt (030437). Note: Be sure that preader bar is level and is adjusted to desired height, tighten bolts completely (as stated in step 2).
4. Attach Power Strip (162618) to Electric Raceway Bar (A) using screws (010014) and Nuts (040602).

BB79350	30"
BB79351	36"
BB79352	48"



**MISSING PARTS OR IN NEED
OF
ASSEMBLY ASSISTANCE?**

Contact us direct for fast friendly service (800) 433-8488

Int'l calls (630) 892-8941 | WEB: WWW.LYONWORKSPACE.COM | Fax (800) 367-6681

ASSEMBLY INSTRUCTIONS
FOR LYON SKY-WAL
ELECTRIC RACEWAY

LYON LYON WORKSPACE PRODUCTS
P.O. BOX 671
201021 AURORA, IL 60507

10112AA

SHEET 2 OF 2