

LIGHT BAR ASSEMBLY

48" / 60" / 72"

KEY	PART NUMBER	DESCRIPTION	QTY.
A	A007178	SPREAD BAR 48"	1
A	4007284	SPREAD BAR 60"	1
A	A007285	SPREAD BAR 72"	1
	A007182	MOUNTING BRACKET	4
	A007287	LIGHT MOUNTING BRACKET	2
	A007182	3/8-16 X 1 GRADE 2"	2
	090607	FLUTED PLASTIC KNOB	2
	150007	PLASTIC INSERT CAP	2
	010009	SCREW ROUND HEAD 10-32 X 1/2	2

**MISSING PARTS OR IN NEED
OF
ASSEMBLY ASSISTANCE?**

Contact us direct for fast friendly service (800) 433-8488

Int'l calls (630) 892-8941 | WEB: WWW.LYONWORKSPACE.COM | Fax (800) 367-6681

ASSEMBLY INSTRUCTIONS
FOR LYON SKY-WAL
LIGHT BAR ASSEMBLY

LYON  LYON WORKSPACE PRODUCTS
P.O. BOX 671
201021 AURORA, IL 60507

10113AA

SHEET 1 OF 2

LIGHT BAR ASSEMBLY

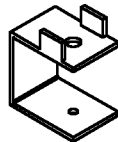
48" / 60" / 72"

1. Insert Rail Nut (A007182) Into 'Z' Bar Support Arms (A007177). Be sure Pen Nut is facing the Inside of 'Z' bars. Secure Tool Bar (A) to 'Z' bars using Rail Nuts (A007182) and (020007) Bolts.
2. Insert Rail Nuts (A007182) Into Tool Bar (A007178) with Pen Nut facing Inside of Tool Bar (A007178).
3. Attach Light Mounting Brackets (A007287) to Tool Bar (A007178) using Rail Nuts (A007182), fluted Plastic Knob (090607), and (020007) Bolts. Repeat for other Light Mounting Brackets
4. Attach 48" Light to Light Mounting Brackets (A007287).
5. Insert Plastic Insert Cap (150007) Into each open of Tool Bar (A007178).

BB79306	48"
BB79307	60"
BB79308	72"



150007



A007287



090607



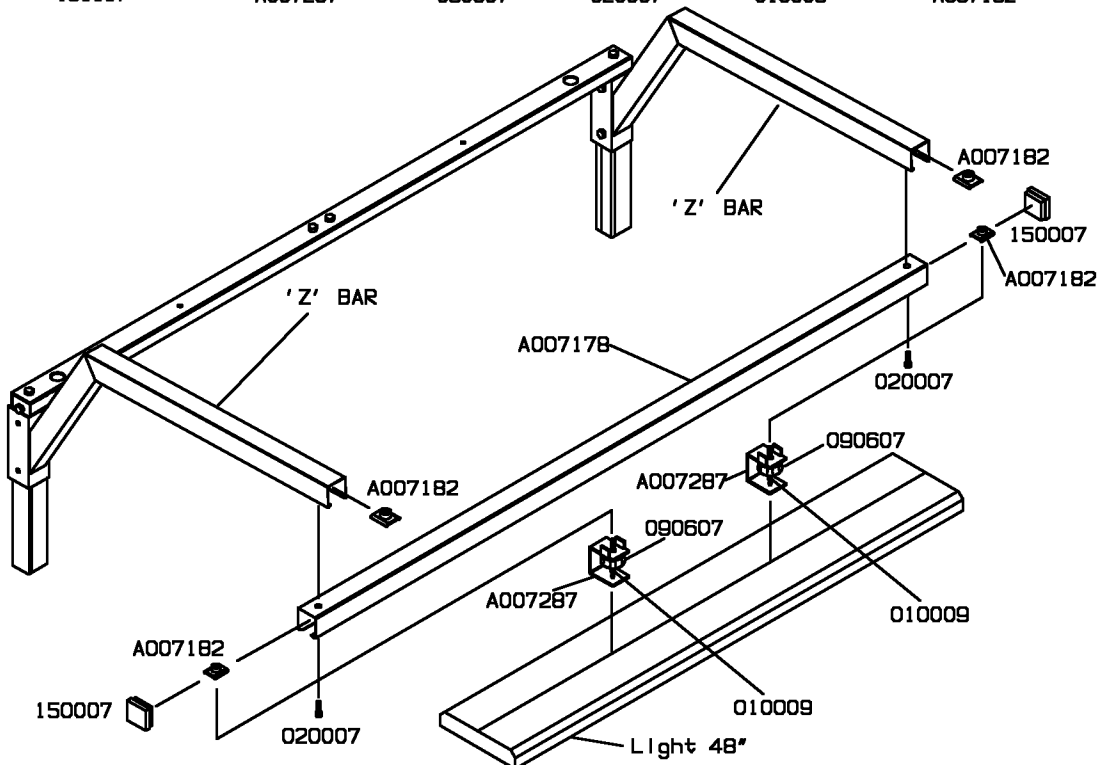
020007



010009



A007182



**MISSING PARTS OR IN NEED
OF
ASSEMBLY ASSISTANCE?**

Contact us direct for fast friendly service (800) 433-8488

Int'l calls (630) 892-8941 | WEB: WWW.LYONWORKSPACE.COM | Fax (800) 367-6681

ASSEMBLY INSTRUCTIONS
FOR LYON SKY-WAL
LIGHT BAR ASSEMBLY

LYON LYON WORKSPACE PRODUCTS
P.O. BOX 671
AURORA, IL 60507

10113AA

SHEET 2 OF 2