

PROJECTION TOTE BIN BAR

30" / 36" / 48"

KEY	PART NUMBER	DESCRIPTION	30"	36"	48"
A	A007204	TOTE BAR FRONT 30"W	1		
A	4007205	TOTE BAR FRONT 36"W		1	
A	A007216	TOTE BAR FRONT 48"W			1
B	A007202	MOUNTING BRACKET 1-1/2" PROJ.	2	2	2
B	A007203	MOUNTING BRACKET 4-1/2" PROJ.	2	2	2
	A007182	RAIL NUTS	2	2	2
	020007	3/8-16 X 1 GRADE 2"	2	2	2
	030437	3/8-16 X 1/2" BUTTON HEAD SOCKET	2	2	2

**MISSING PARTS OR IN NEED
OF
ASSEMBLY ASSISTANCE?**

Contact us direct for fast friendly service (800) 433-8488

Int'l calls (630) 892-8941 | WEB: WWW.LYONWORKSPACE.COM | Fax (800) 367-6681

ASSEMBLY INSTRUCTIONS
FOR LYON SKY-WAL
PROJECTION TOTE BIN

LYON  LYON WORKSPACE PRODUCTS
P.O. BOX 671
201 8201 AURORA, IL 60507

10115AA

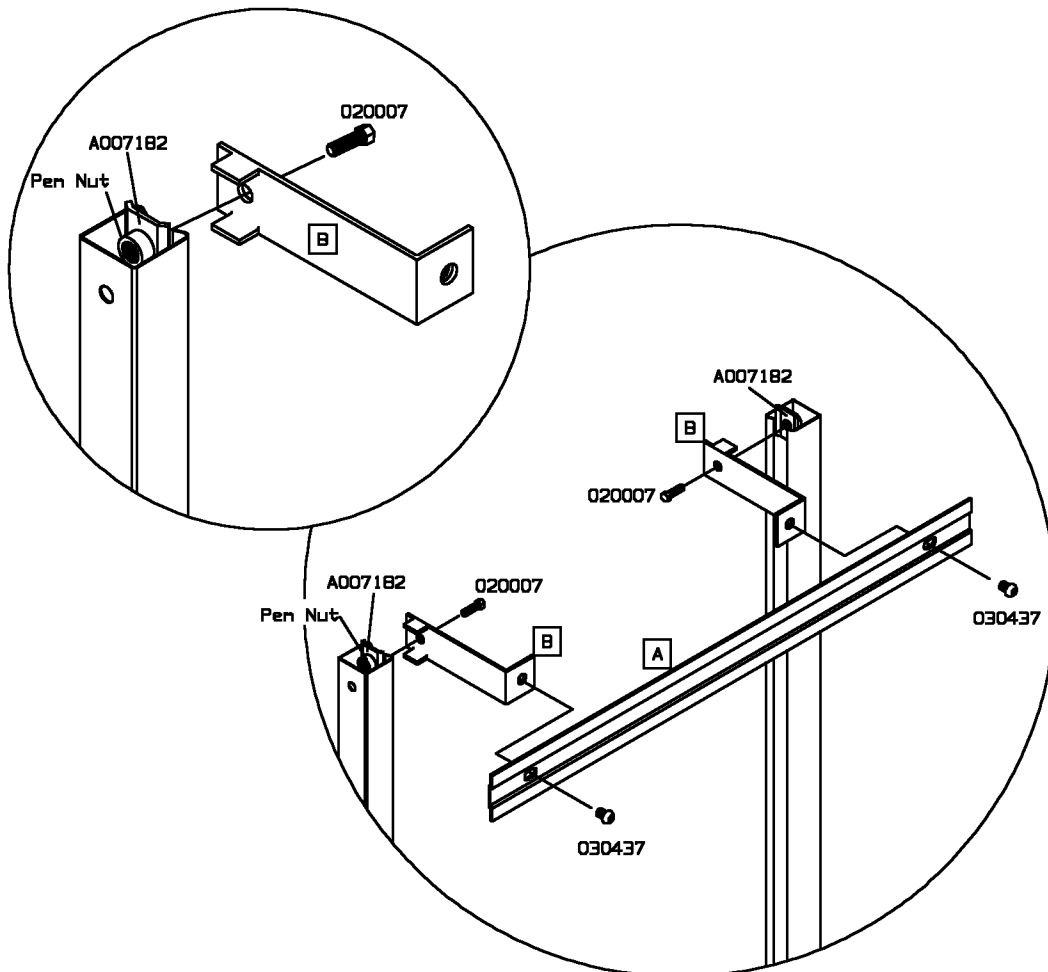
SHEET 1 OF 2

PROJECTION TOTE BIN BAR

30" / 36" / 48"

1. Insert Mounting Bracket (A007182) into Upright Column. Note: Be sure Pen Nut of Rail Nut (A007182) is facing the inside of Upright Column.
2. Attach Mounting Bracket (A) to Upright Column using Rail Nut (A007182) and (020007) Bolt. Note: Tighten bolt until snug. Do not tighten completely until after step 3. Repeat on other Upright Column.
3. Attach Tote Bar (B) to Mounting Brackets (A) using (030437) Bolts. Note: Be sure Tote Bar is level and is adjusted to desired height before tightening bolts completely.

BB793642	30"	1-1/2
BB793652	36"	1-1/2
BB793662	48"	1-1/2
BB793672	30"	4-1/2
BB793682	36"	4-1/2
BB793692	48"	4-1/2



**MISSING PARTS OR IN NEED
OF
ASSEMBLY ASSISTANCE?**

Contact us direct for fast friendly service (800) 433-8488

Int'l calls (630) 892-8941 | WEB: WWW.LYONWORKSPACE.COM | Fax (800) 367-6681

ASSEMBLY INSTRUCTIONS
FOR LYON SKY-WAL
PROJECTION TOTE BIN

LYON LYON WORKSPACE PRODUCTS
P.O. BOX 671
AURORA, IL 60507

10115AA

SHEET 2 OF 2