

# ANGLE / STRAIGHT SHELF

## 30" / 36" / 48"

KEY	PART NUMBER	PART DESCRIPTION	QTY	USE IN ASSY
A	A007195	ADJUSTABLE SHELF 12"D X 30"W	1	BB793702
A	A007200	ADJUSTABLE SHELF 12"D X 36"W	1	BB793712
A	A007300	ADJUSTABLE SHELF 12"D X 48"W	1	BB793722
A	A007190	ADJUSTABLE SHELF 14"D X 30"W	1	BB793732
A	A007192	ADJUSTABLE SHELF 14"D X 36"W	1	BB793742
A	A007302	ADJUSTABLE SHELF 14"D X 48"W	1	BB793752
A	A007222	ADJUSTABLE SHELF 18"D X 30"W	1	BB793762
A	A007226	ADJUSTABLE SHELF 18"D X 36"W	1	BB793772
A	A007228	ADJUSTABLE SHELF 18"D X 48"W	1	BB793782
	A007180	SHELF MOUNTING BRACKET RIGHT	1	
	A007181	SHELF MOUNTING BRACKET LEFT	1	
	A007182	RAIL NUT	2	
	020007	3/8-16 X 1 BOLT	2	
	020014	5/8- 18 X 3/4 BOLT	4	
	040003	5/16-18 HEX NUT	4	
	050203	5/16 LOCK WASHER	4	

### *MISSING PARTS OR IN NEED OF ASSEMBLY ASSISTANCE?*

Contact us direct for fast friendly service (800) 433-8488

Int'l calls (630) 892-8941 | WEB: [WWW.LYONWORKSPACE.COM](http://WWW.LYONWORKSPACE.COM) | Fax (800) 367-6681

ASSEMBLY INSTRUCTIONS  
FOR LYON SKY-WAL  
SHELF ASSEMBLY

**LYON**  LYON WORKSPACE PRODUCTS  
P.O. BOX 671  
201 821 AURORA, IL 60507

# 10116AA

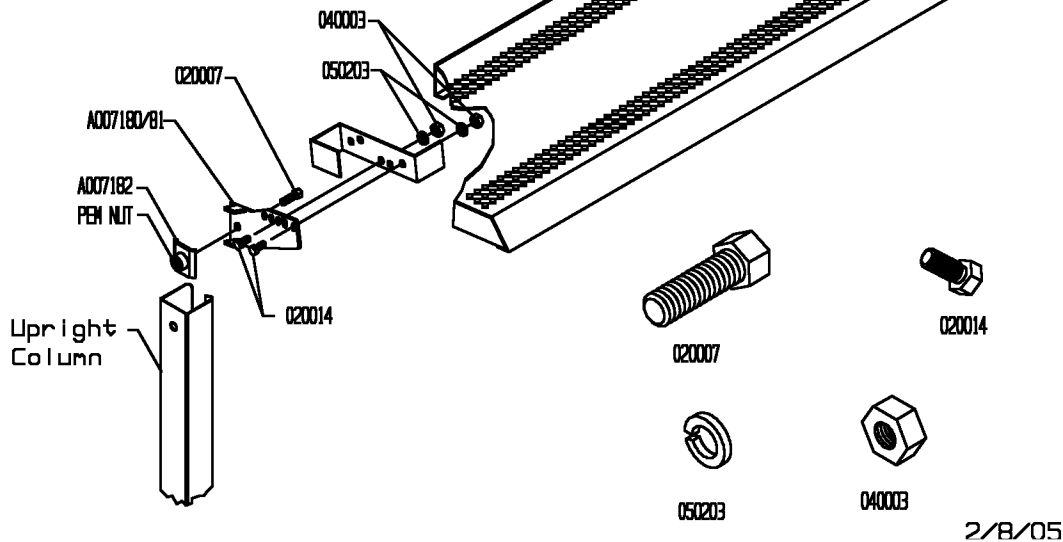
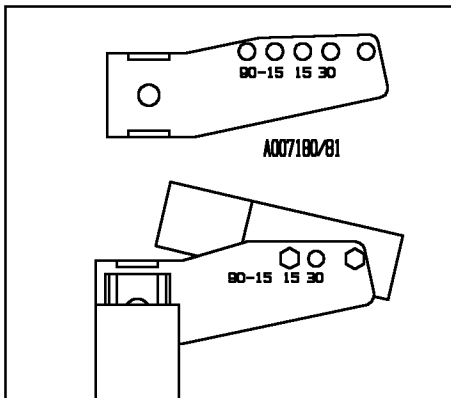
SHEET 1 OF 2

# ANGLE / STRAIGHT SHELF

## 30" / 36" / 48"

1. Insert Rail Nut (A007182) into Upright Column. Note: Be sure Pen Nut of Rail Nut (A007182) is facing inside of Upright Column.
2. Attach Shelf Mounting Bracket Right/Left (A007180/81) to Upright Column using Rail Nut (A007182) and (020007) Bolt. Note: Mounting Bracket (A007180/81) should be angled upwards as shown. Tighten bolt until snug, but do not tighten completely until after step 3. Repeat on other Upright Columns.
3. Attach Adjustable Shelf (A) to Shelf Mounting Brackets (A007180/81) using (020014) Screws, (050203) Lock Washers, and (040003) Hex Nuts. Note: After shelf is attached, adjust to desired height and angle, then tighten all bolts and screws.

BB793702	12" D X 30" W
BB793712	12" D X 36" W
BB793722	12" D X 48" W
BB793732	14" D X 30" W
BB793742	14" D X 36" W
BB793752	14" D X 48" W



**MISSING PARTS OR IN NEED  
OF  
ASSEMBLY ASSISTANCE?**

Contact us direct for fast friendly service (800) 433-8488

Int'l calls (630) 892-8941 | WEB: WWW.LYONWORKSPACE.COM | Fax (800) 367-6681

ASSEMBLY INSTRUCTIONS  
FOR LYON SKY-WAL  
SHELF ASSEMBLY

**LYON** LYON WORKSPACE PRODUCTS  
P.O. BOX 671  
AURORA, IL 60507

**10116AA**

SHEET 2 OF 2