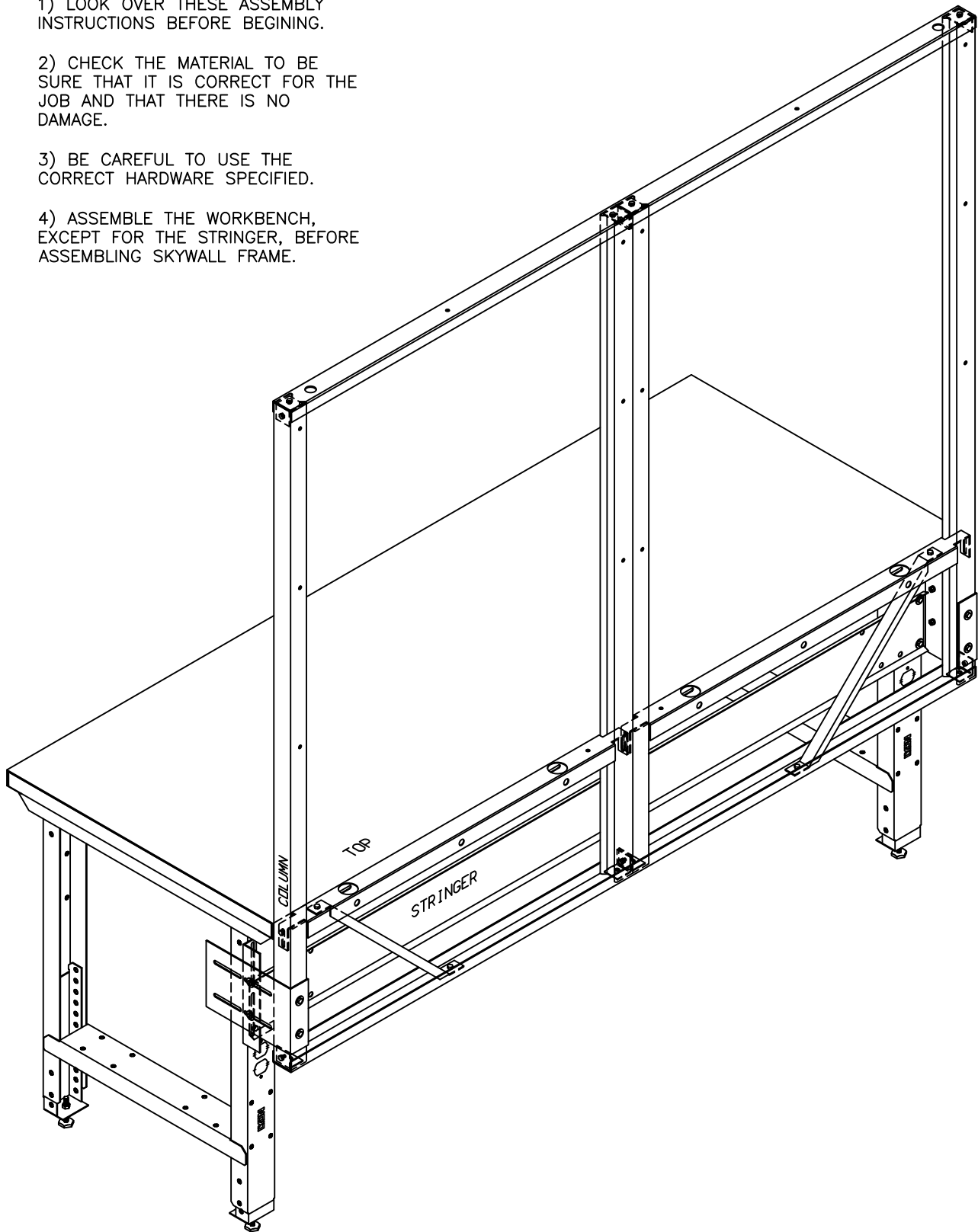


## GENERAL INSTRUCTIONS:

- 1) LOOK OVER THESE ASSEMBLY INSTRUCTIONS BEFORE BEGINNING.
- 2) CHECK THE MATERIAL TO BE SURE THAT IT IS CORRECT FOR THE JOB AND THAT THERE IS NO DAMAGE.
- 3) BE CAREFUL TO USE THE CORRECT HARDWARE SPECIFIED.
- 4) ASSEMBLE THE WORKBENCH, EXCEPT FOR THE STRINGER, BEFORE ASSEMBLING SKYWALL FRAME.



## ADJUSTABLE LEG SKYWALL II FRAME ASSEMBLY 48"/60"/72"

*MISSING PARTS OR IN NEED OF ASSEMBLY ASSISTANCE?*

SHEET 1 OF 9

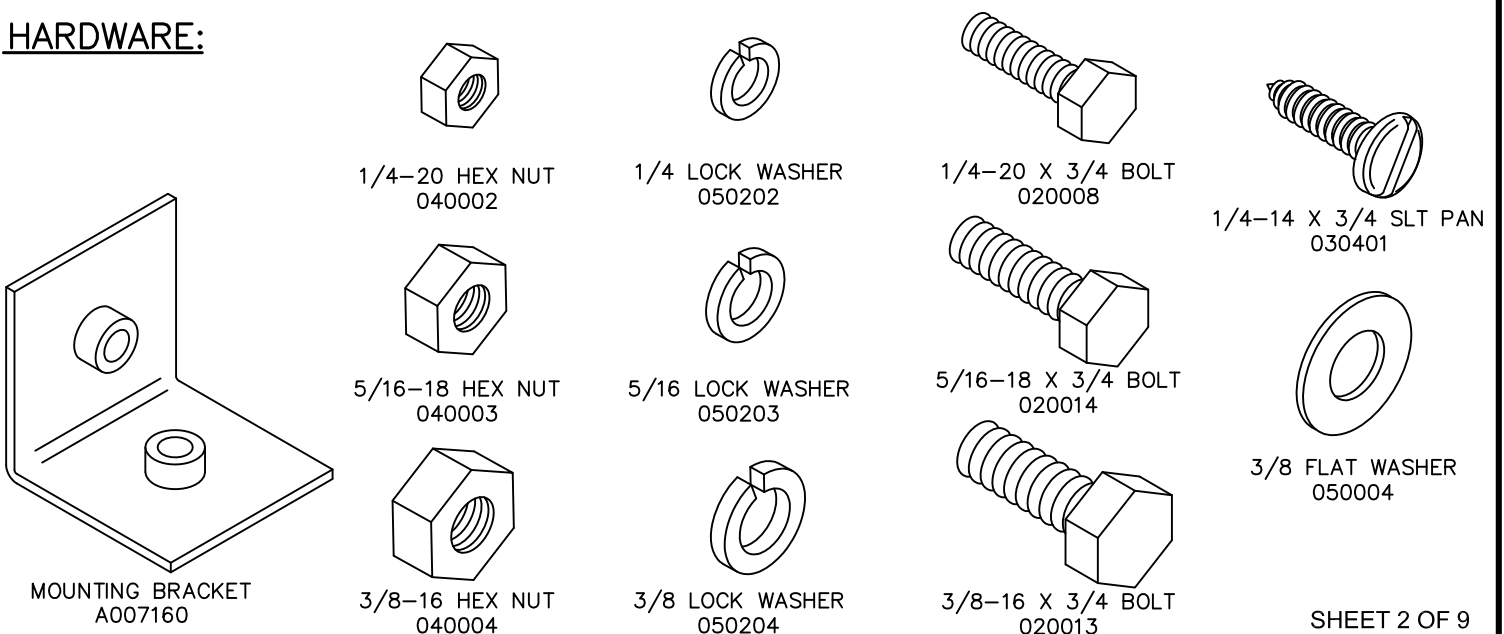
Contact us direct for fast friendly service (800) 433-8488

International calls (630) 892-8941 | WEB: [WWW.LYONWORKSPACE.COM](http://WWW.LYONWORKSPACE.COM) | Fax (800) 367-6681

**LYON**  LYON WORKSPACE PRODUCTS  
P.O. BOX 671  
AURORA, IL 60507

PART NUMBER	DESCRIPTION	48"	60"	72"
A007169	FRAME TOP/BOTTOM 48"	2		
A007170	SUPPORT BRACKET 48" FRAME	1		
A007158	FRAME TOP/BOTTOM 60"		2	
A007161	SUPPORT BRACKET 60" FRAME		2	
A007171	FRAME TOP/BOTTOM 72"			2
A007172	SUPPORT BRACKET 72" FRAME			2
A007159	COLUMN UPRIGHT	2	4	4
A007160	MOUNTING BRACKET	4	8	8
A007162	UPRIGHT MOUNTING BRACKET	2	2	2
A007163	TABLE MOUNTING BRACKET	2	2	2
A007167	DIAGONAL BRACKET	2	2	2
050004	3/8" FLAT WASHER	12	12	12
020008	1/4-20 X 3/4" GRADE 2	12	21	21
020013	3/8-16 X 3/4" GRADE 2	8	8	8
020014	5/16-18 X 3/4" GRADE 2	4	4	4
030401	1/4-14 X 3/4 SLT PAN (WOOD SCREW)	3	6	6
040002	1/4-20 HEX NUT	4	7	7
040003	5/16-18 HEX NUT	4	4	4
040004	3/8 X 16 HEX NUT	8	8	8
050202	1/4 LOCK WASHER	4	7	7
050203	5/16 LOCK WASHER	4	4	4
050204	3/8 LOCK WASHER	8	8	8

**HARDWARE:**



SHEET 2 OF 9

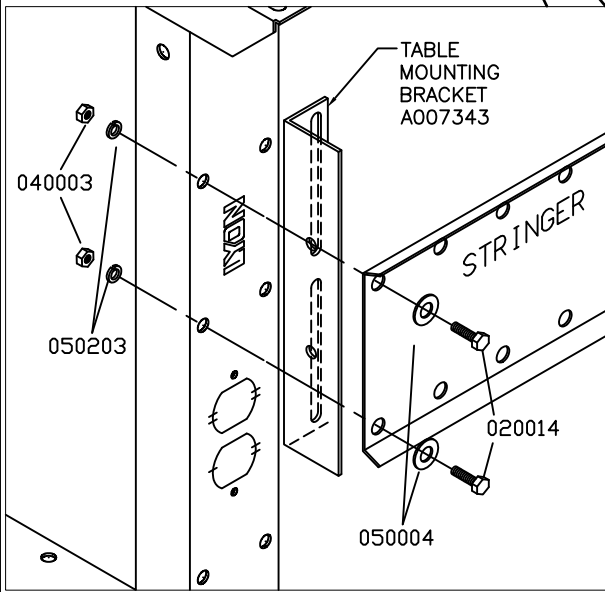
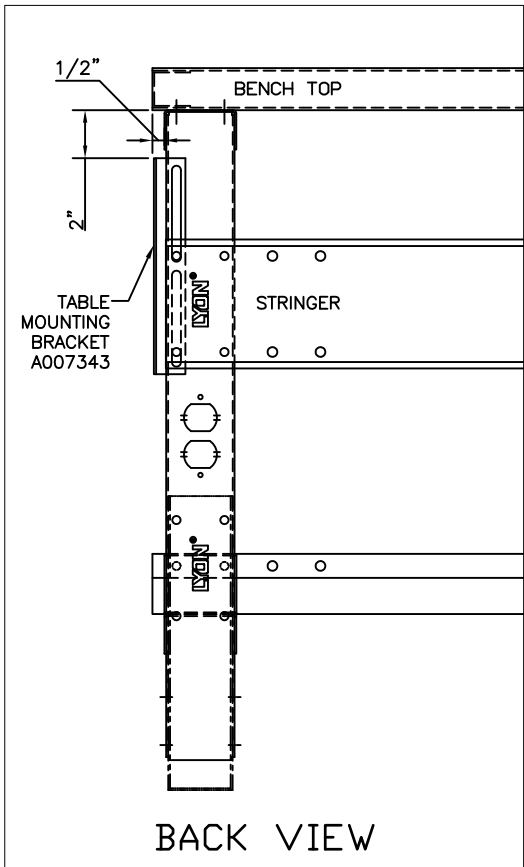
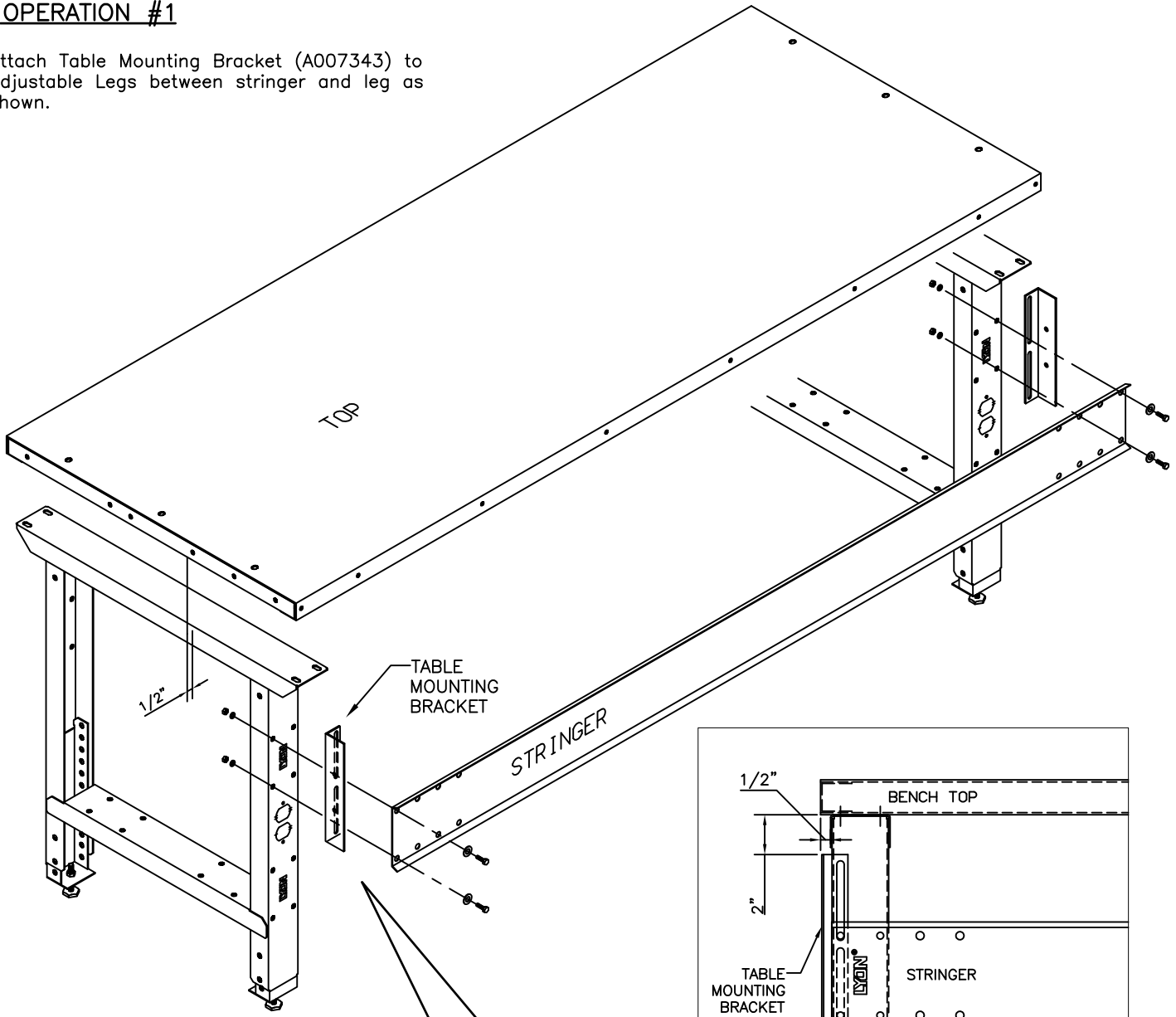
**ADJUSTABLE LEG SKYWALL II FRAME ASSEMBLY 48"/60"/72"**

Contact us direct for fast friendly service (800) 433-8488

International calls (630) 892-8941 | WEB: WWW.LYONWORKSPACE.COM | Fax (800) 367-6681

# OPERATION #1

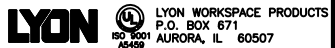
Attach Table Mounting Bracket (A007343) to Adjustable Legs between stringer and leg as shown.



## ADJUSTABLE LEG SKYWALL II FRAME ASSEMBLY 48"/60"/72"

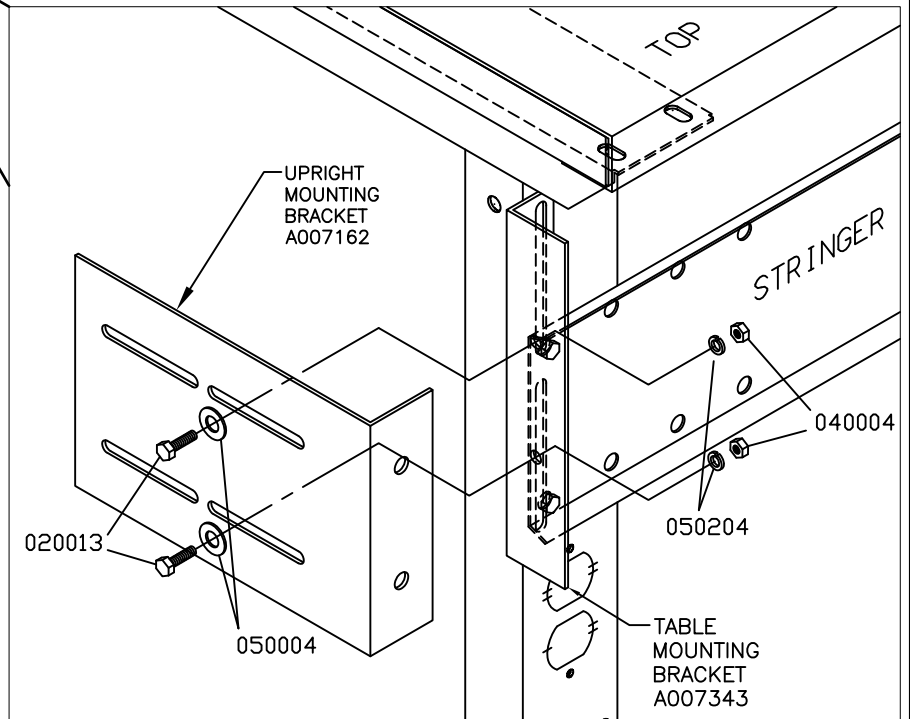
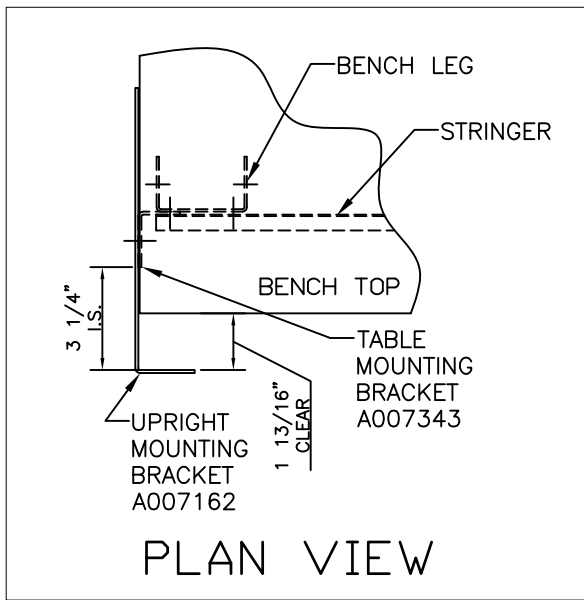
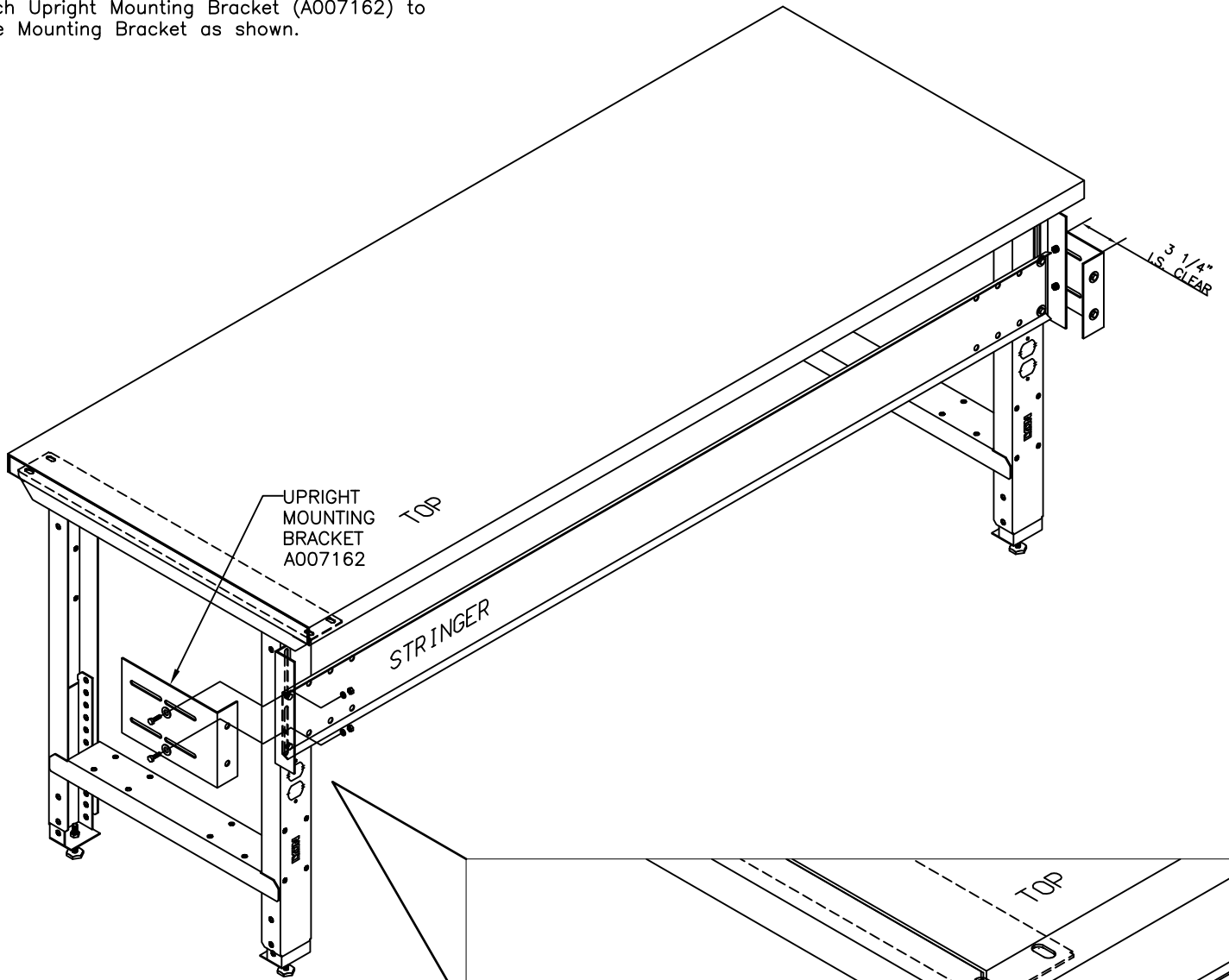
Contact us direct for fast friendly service (800) 433-8488

International calls (630) 892-8941 | WEB: WWW.LYONWORKSPACE.COM | Fax (800) 367-6681



## OPERATION #2

Attach Upright Mounting Bracket (A007162) to Table Mounting Bracket as shown.




SHEET 4 OF 9

# ADJUSTABLE LEG SKYWALL II FRAME ASSEMBLY 48"/60"/72"

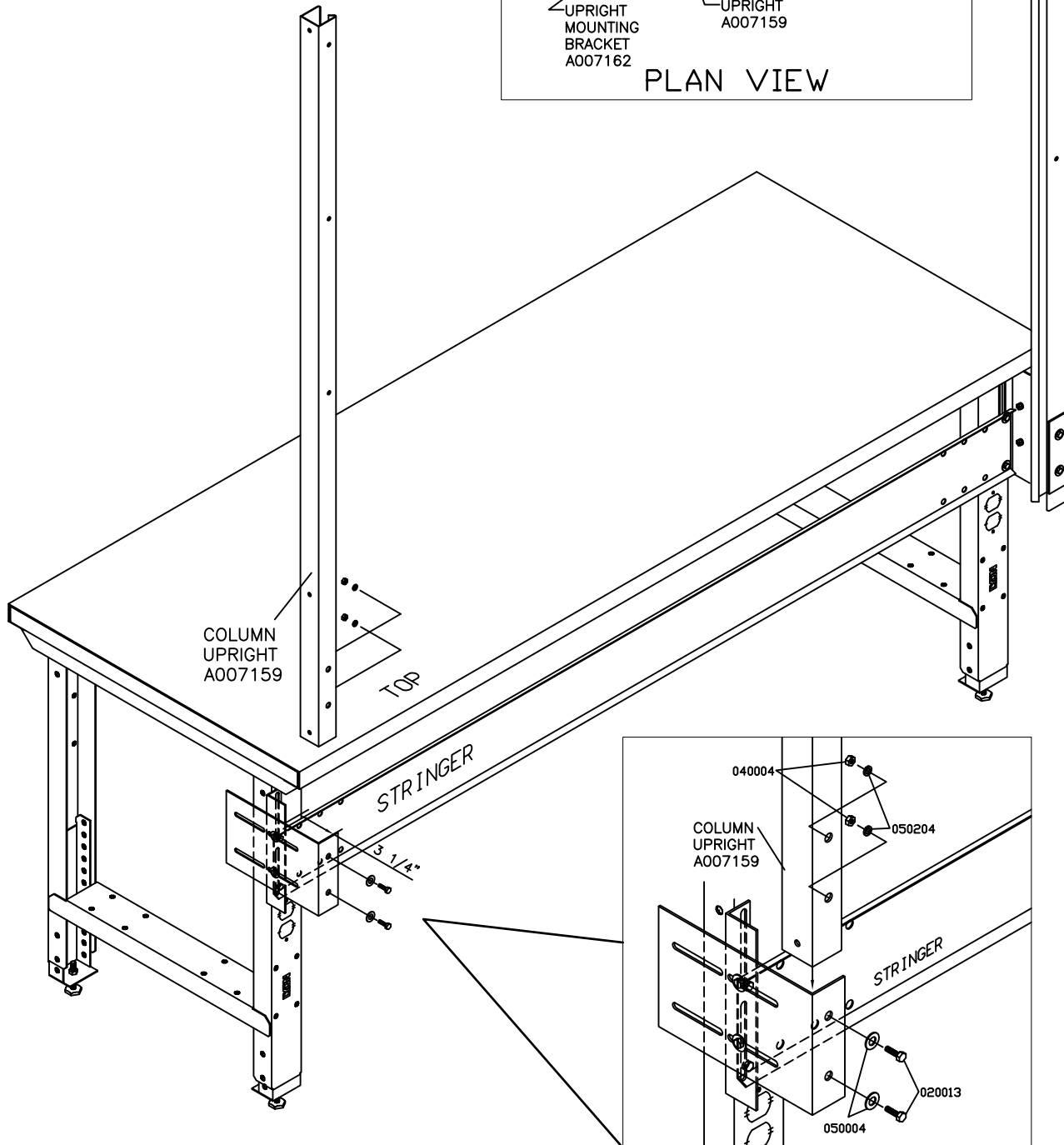
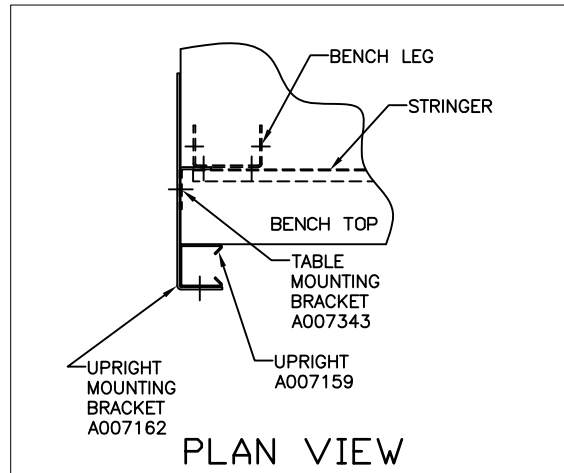
Contact us direct for fast friendly service (800) 433-8488

International calls (630) 892-8941 | WEB: WWW.LYONWORKSPACE.COM | Fax (800) 367-6681

**LYON**  LYON WORKSPACE PRODUCTS  
P.O. BOX 671  
AURORA, IL 60507

### OPERATION #3

ATTACH COLUMN UPRIGHTS (A007159), TO UPRIGHT BRACKETS AS SHOWN. NOTE: OPEN SIDES OF CHANNEL FACE INWARD AS SHOWN.




SHEET 5 OF 9

## ADJUSTABLE LEG SKYWALL II FRAME ASSEMBLY 48"/60"/72"

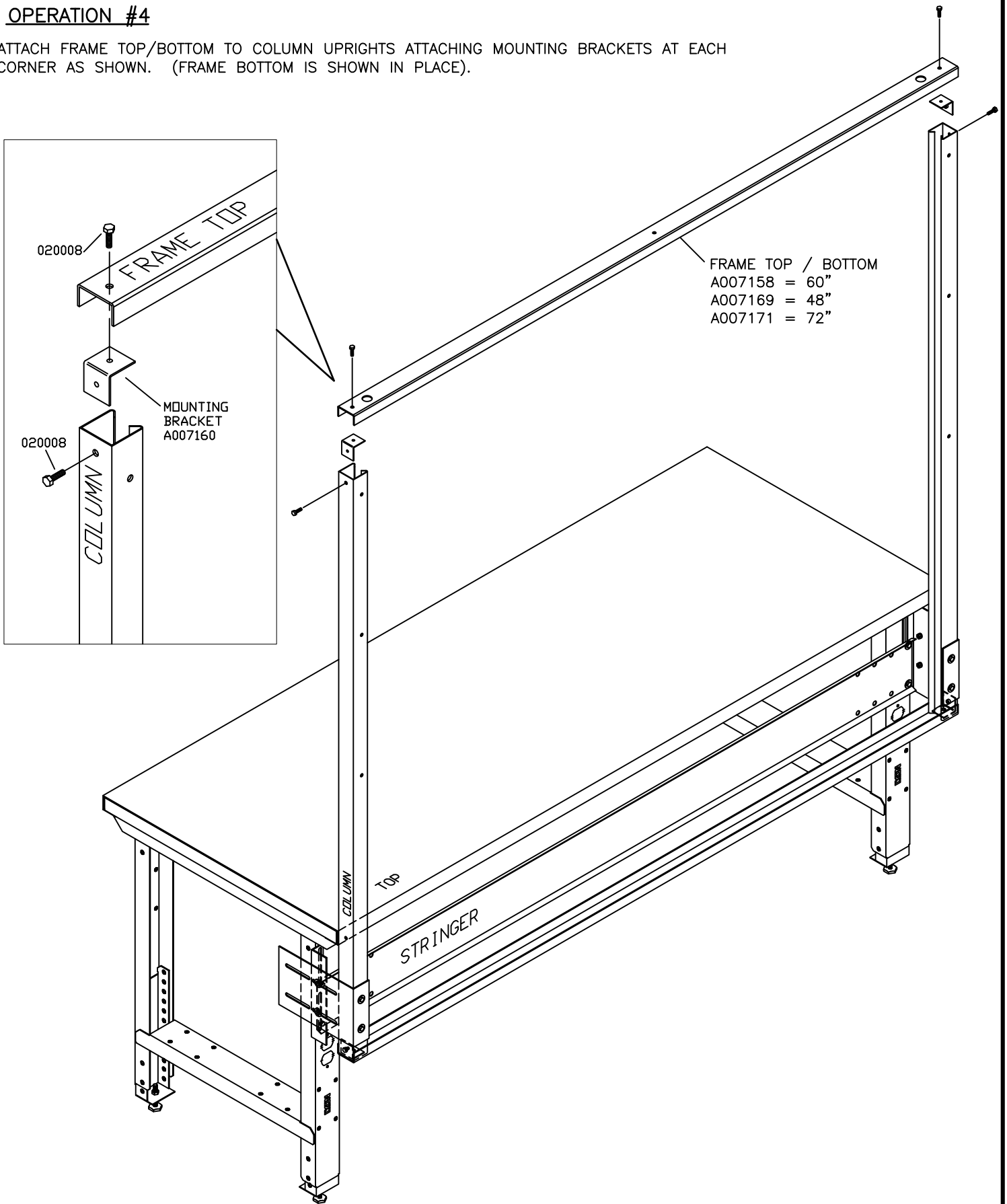
Contact us direct for fast friendly service (800) 433-8488

International calls (630) 892-8941 | WEB: [WWW.LYONWORKSPACE.COM](http://WWW.LYONWORKSPACE.COM) | Fax (800) 367-6681

**LYON**  LYON WORKSPACE PRODUCTS  
P.O. BOX 671  
AURORA, IL 60507

## OPERATION #4

ATTACH FRAME TOP/BOTTOM TO COLUMN UPRIGHTS ATTACHING MOUNTING BRACKETS AT EACH CORNER AS SHOWN. (FRAME BOTTOM IS SHOWN IN PLACE).




SHEET 6 OF 9

## ADJUSTABLE LEG SKYWALL II FRAME ASSEMBLY 48"/60"/72"

Contact us direct for fast friendly service (800) 433-8488

International calls (630) 892-8941 | WEB: [WWW.LYONWORKSPACE.COM](http://WWW.LYONWORKSPACE.COM) | Fax (800) 367-6681

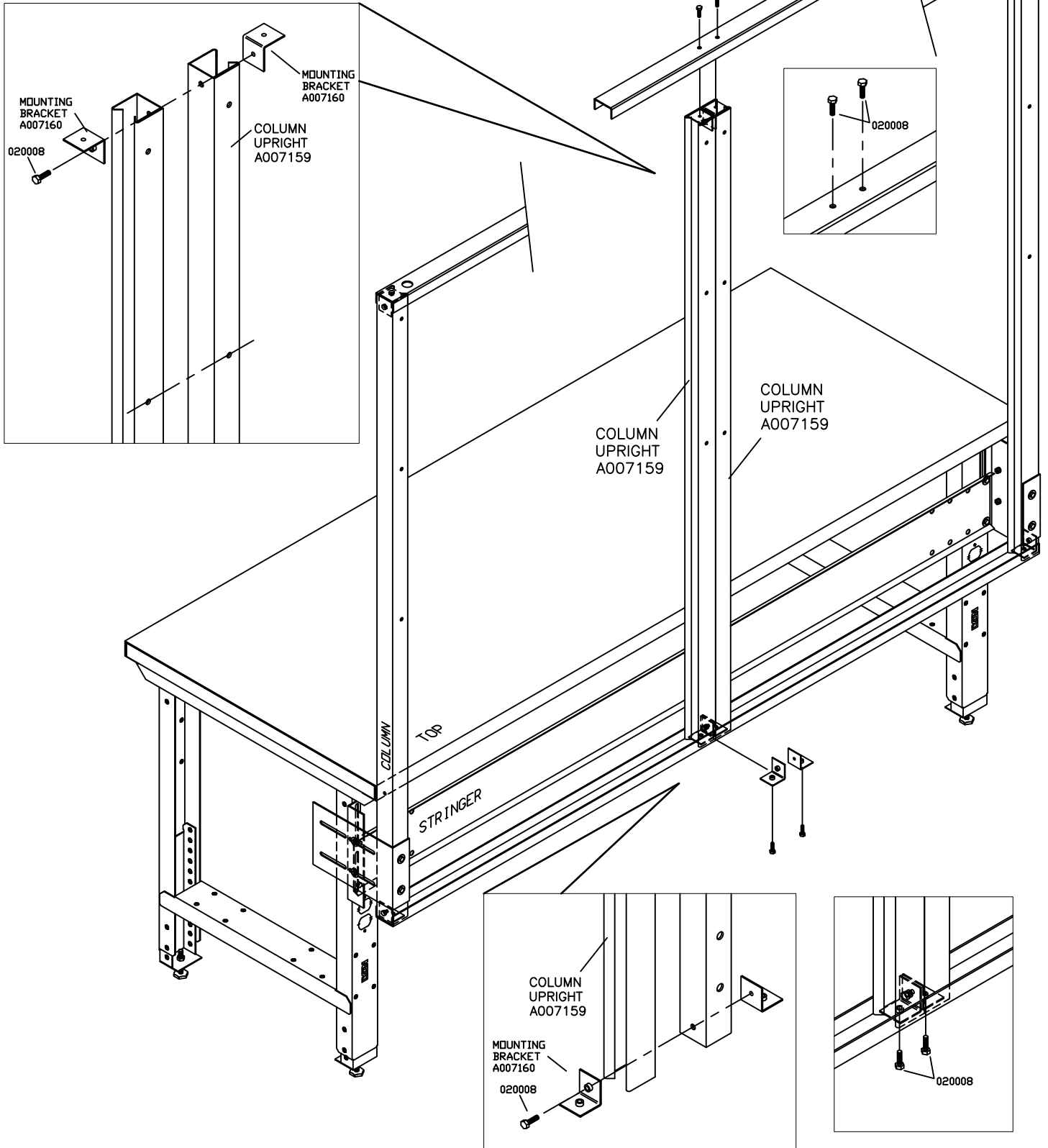
**LYON**  LYON WORKSPACE PRODUCTS  
P.O. BOX 671  
AURORA, IL 60507

# OPERATION #5

\*\*\* OMIT OPERATION 5 FOR 48" WIDE FRAMES, NO CENTER COLUMNS \*\*\*

ATTACH (2) CHANNEL UPRIGHTS TOGETHER USING (2) MOUNTING BRACKETS AT EACH END AS SHOWN. BE SURE THE HOLES IN EACH UPRIGHT ARE ALIGNED.

ASSEMBLE THE CENTER UPRIGHTS BETWEEN THE FRAME TOP AND BOTTOM AT CENTER AS SHOWN.



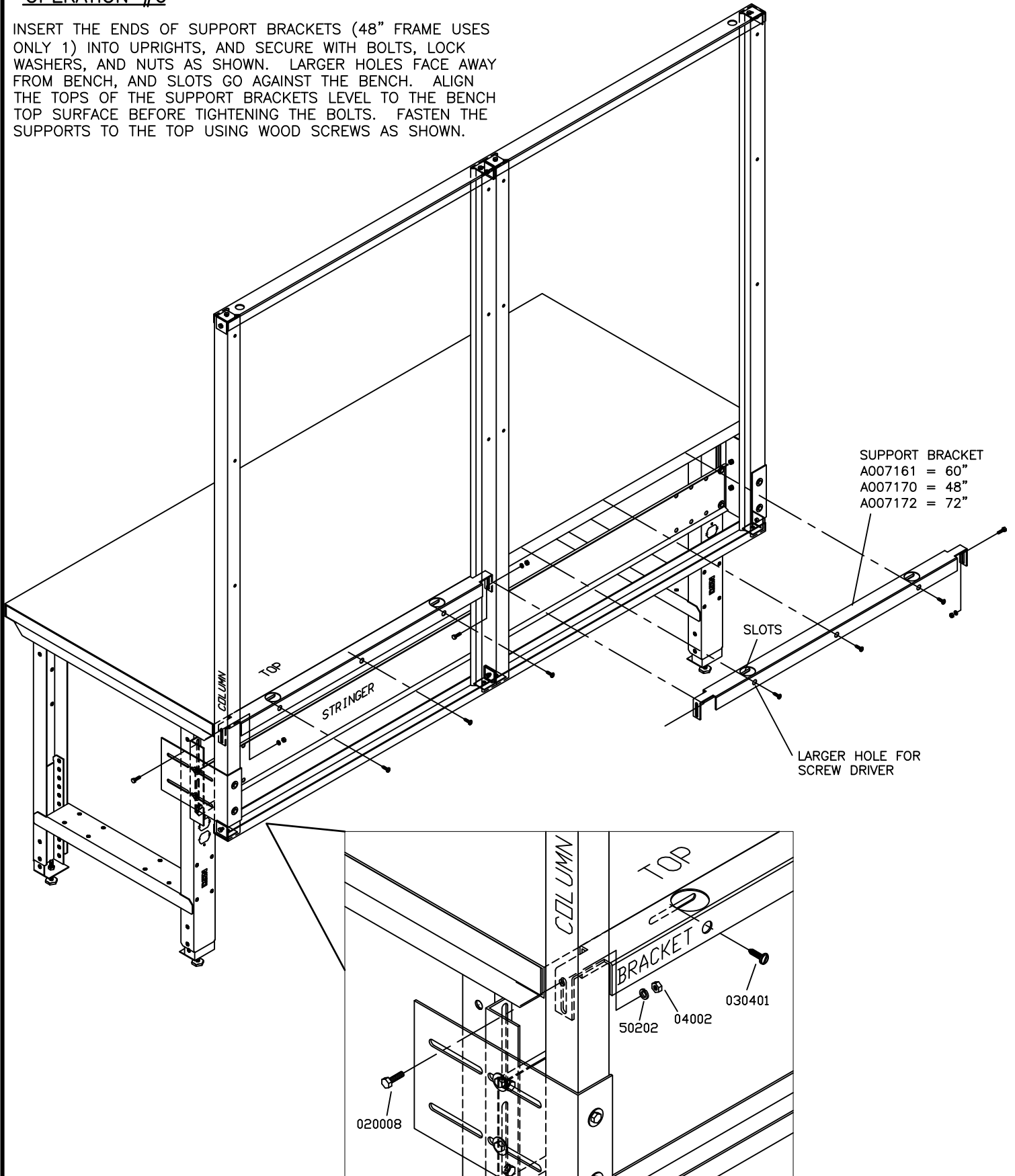
## ADJUSTABLE LEG SKYWALL II FRAME ASSEMBLY 48"/60"/72"

Contact us direct for fast friendly service (800) 433-8488

International calls (630) 892-8941 | WEB: WWW.LYONWORKSPACE.COM | Fax (800) 367-6681

## OPERATION #6

INSERT THE ENDS OF SUPPORT BRACKETS (48" FRAME USES ONLY 1) INTO UPRIGHTS, AND SECURE WITH BOLTS, LOCK WASHERS, AND NUTS AS SHOWN. LARGER HOLES FACE AWAY FROM BENCH, AND SLOTS GO AGAINST THE BENCH. ALIGN THE TOPS OF THE SUPPORT BRACKETS LEVEL TO THE BENCH TOP SURFACE BEFORE TIGHTENING THE BOLTS. FASTEN THE SUPPORTS TO THE TOP USING WOOD SCREWS AS SHOWN.




SHEET 8 OF 9

## ADJUSTABLE LEG SKYWALL II FRAME ASSEMBLY 48"/60"/72"

Contact us direct for fast friendly service (800) 433-8488

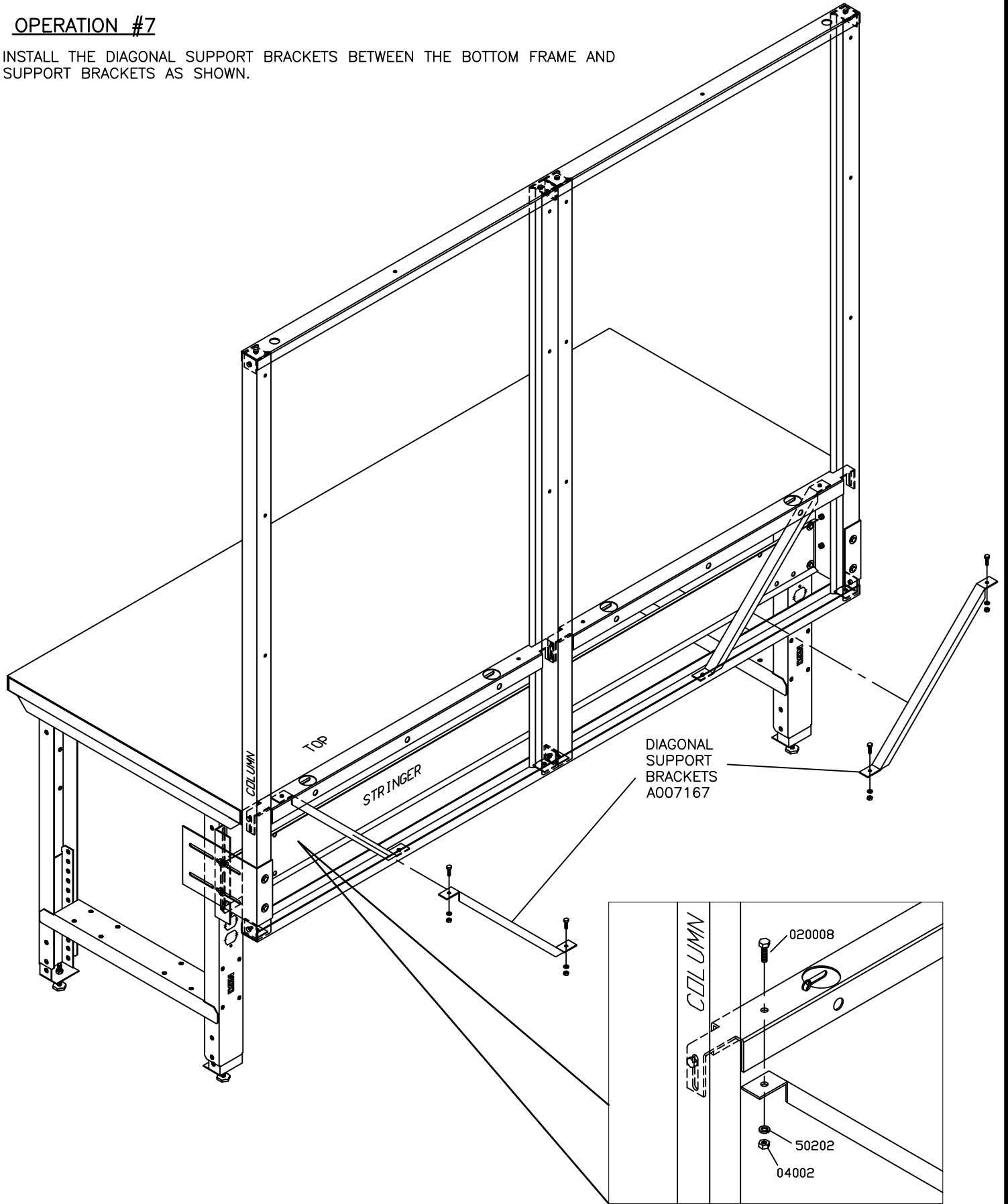
International calls (630) 892-8941 | WEB: WWW.LYONWORKSPACE.COM | Fax (800) 367-6681

**LYON**  LYON WORKSPACE PRODUCTS  
P.O. BOX 671  
AURORA, IL 60507  
ISO 9001  
AS409



OPERATION #7

INSTALL THE DIAGONAL SUPPORT BRACKETS BETWEEN THE BOTTOM FRAME AND SUPPORT BRACKETS AS SHOWN.




SHEET 9 OF 9

**ADJUSTABLE LEG SKYWALL II FRAME ASSEMBLY 48"/60"/72"**

Contact us direct for fast friendly service (800) 433-8488

International calls (630) 892-8941 | WEB: [WWW.LYONWORKSPACE.COM](http://WWW.LYONWORKSPACE.COM) | Fax (800) 367-6681

**LYON**  LYON WORKSPACE PRODUCTS  
P.O. BOX 671  
AURORA, IL 60507  
AS409