

STEEL INSERT

30" / 36" / 48"

KEY	PART NUMBER	DESCRIPTION	30"	36"	48"
A	A007209	SHEET METAL BACK PANEL 30"W	1		
A	A007210	SHEET METAL BACK PANEL 36"W		1	
A	020007	SHEET METAL BACK PANEL 48"W			1
B	A007391	MOUNTING BRACKET	8	8	8
C	010101	10-24 X 1/2 ROUND HEAD SCREW	16	16	16
D	050202	10-24 LOCK WASHER	8	8	8
E	040604	10-24 HEX NUT	8	8	8

**MISSING PARTS OR IN NEED
OF
ASSEMBLY ASSISTANCE?**

Contact us direct for fast friendly service (800) 433-8488

Int'l calls (630) 892-8941 | WEB: WWW.LYONWORKSPACE.COM | Fax (800) 367-6681

ASSEMBLY INSTRUCTIONS
FOR LYON SKY-WAL
STEEL INSERT

LYON  LYON WORKSPACE PRODUCTS
P.O. BOX 671
201201 AURORA, IL 60507

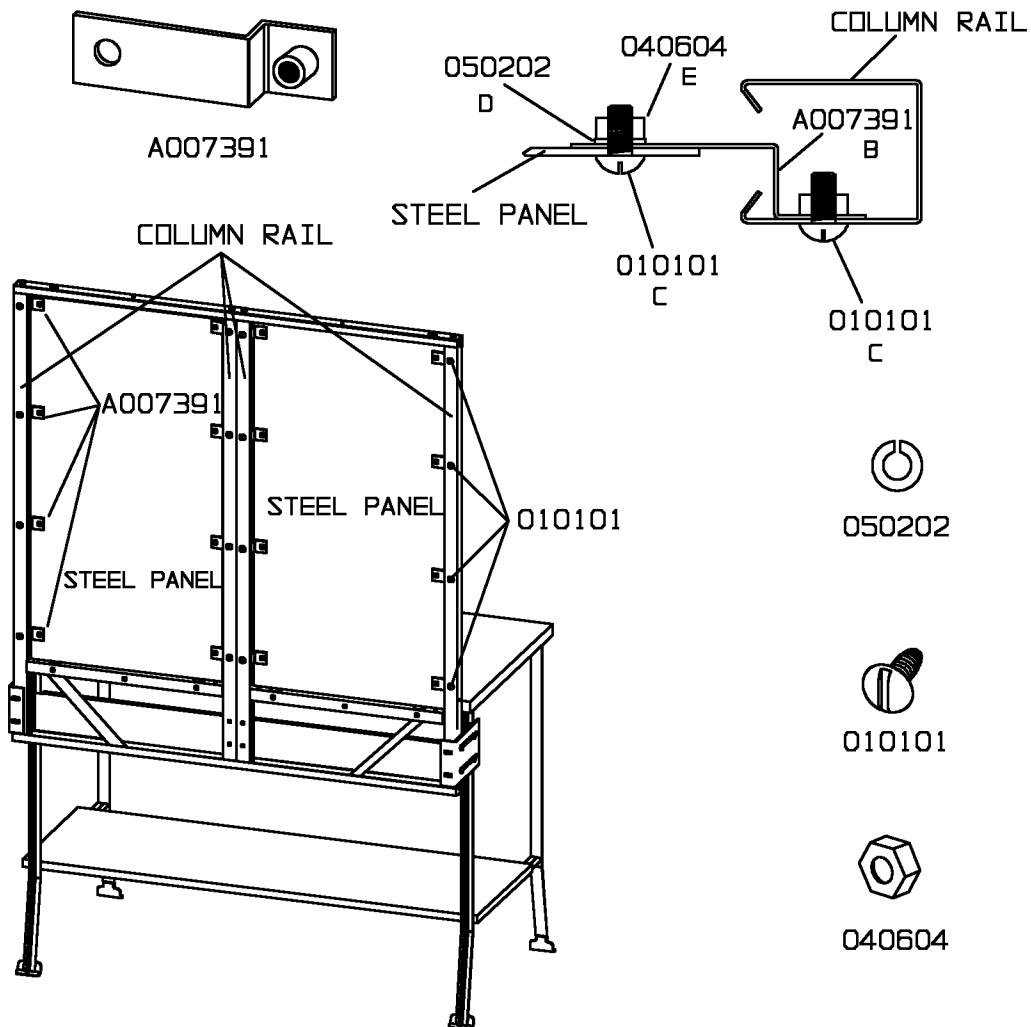
10118AA

SHEET 1 OF 2

STEEL PANEL INSERT

30" / 36" / 48"

1. Attach Mounting Bracket (A007391) to Upright Column using Round head screw (010101).
2. Attach Steel Panel, as shown, to Mounting Brackets (A007391) using Round head screw (010101).



**MISSING PARTS OR IN NEED
OF
ASSEMBLY ASSISTANCE?**

Contact us direct for fast friendly service (800) 433-8488

Int'l calls (630) 892-8941 | WEB: WWW.LYONWORKSPACE.COM | Fax (800) 367-6681

ASSEMBLY INSTRUCTIONS
FOR LYON SKY-WAL
STEEL INSERT

LYON LYON WORKSPACE PRODUCTS
P.O. BOX 671
AURORA, IL 60507

10118AA

SHEET 2 OF 2