

'Z' BAR SUPPORT ARMS

KEY	PART NUMBER	DESCRIPTION	QTY
	A007177	'Z' Bar Support Weldment	2
	A007182	Rail Nut	4
	020007	3/8-16 X 1 grade 2"	4
	150007	Plastic Insert Cap	2

**MISSING PARTS OR IN NEED
OF
ASSEMBLY ASSISTANCE?**

Contact us direct for fast friendly service (800) 433-8488

Int'l calls (630) 892-8941 | WEB: WWW.LYONWORKSPACE.COM | Fax (800) 367-6681

ASSEMBLY INSTRUCTIONS
FOR LYON SKY-WAL
Z BAR SUPPORT ARMS

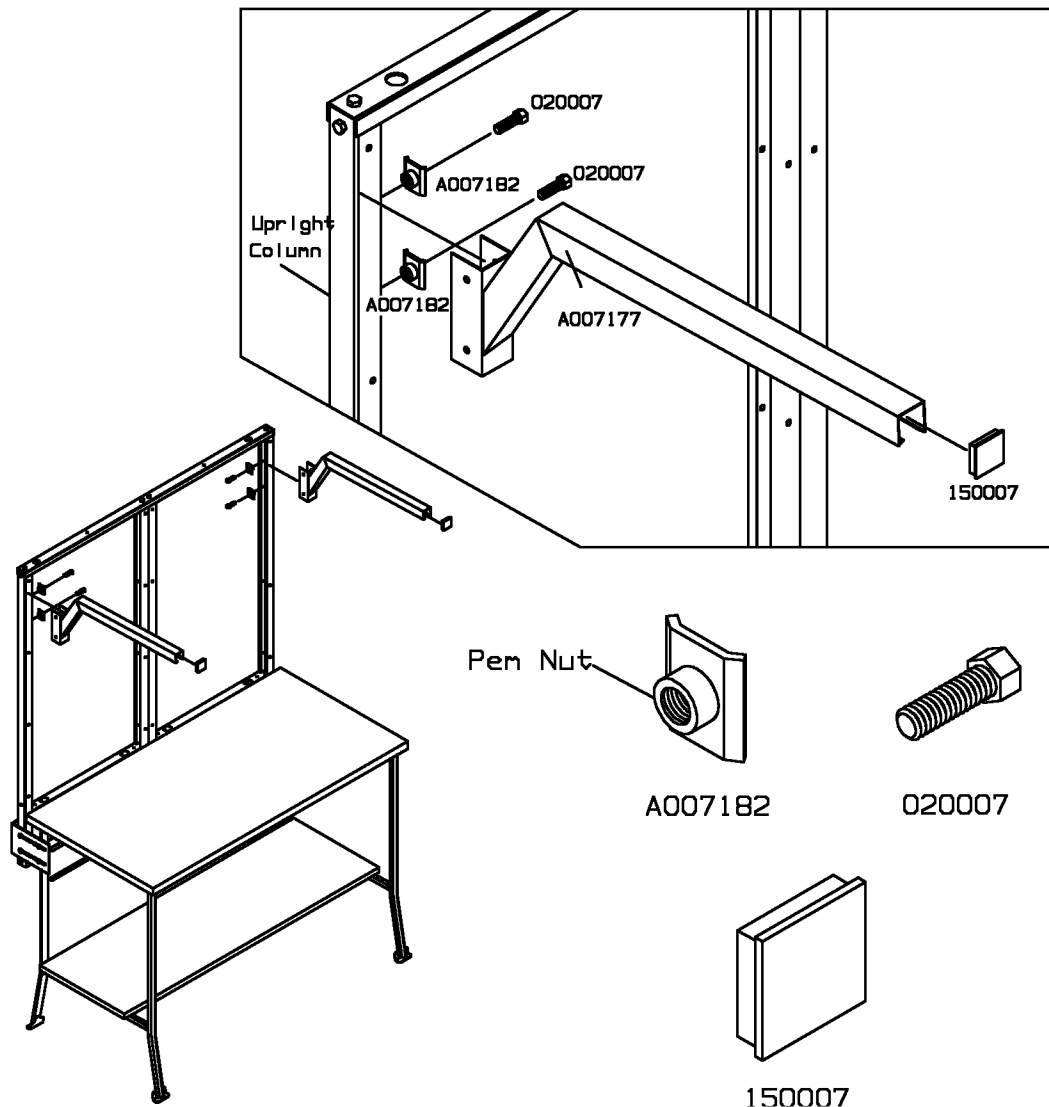
LYON  LYON WORKSPACE PRODUCTS
P.O. BOX 671
501 5201 AURORA, IL 60507

10120AA

SHEET 1 OF 2

'Z' BAR SUPPORT ARMS

1. Insert two Rail Nut Brackets (A007182) into Upright Column, with Pen Nut facing inside Upright Column.
2. Attach 'Z' Bar Support weldment (A007177) to Upright Column using Rail Nuts (A007182) and (020007) Bolts. Repeat step 1 step 2 for each Upright Column.
3. Insert Plastic Insert Cap (150007) into open end of each 'Z' Bar Support weldment (A007177).



**MISSING PARTS OR IN NEED
OF
ASSEMBLY ASSISTANCE?**

Contact us direct for fast friendly service (800) 433-8488

Int'l calls (630) 892-8941 | WEB: WWW.LYONWORKSPACE.COM | Fax (800) 367-6681

ASSEMBLY INSTRUCTIONS
FOR LYON SKY-WAL
Z BAR SUPPORT ARMS

LYON LYON WORKSPACE PRODUCTS
P.O. BOX 671
201 821 AURORA, IL 60507

10120AA

SHEET 2 OF 2