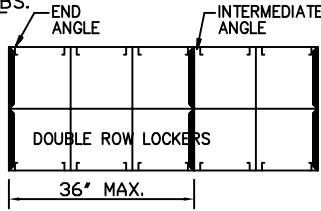


## RECOMMENDED ANCHORING METHODS

(HARDWARE NOT FURNISHED BY LYON)

### ANCHORS FOR MASONRY:

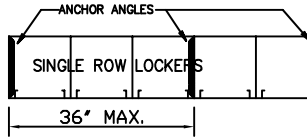
	MIN. PULL OUT VALUE IN LBS.
-3/16" SPRING WING TOGGLE BOLT	--200
-9/64" DIA. HAMMER-IN DRIVE PINS 3/4" PENETRATION	--400
-3/16" x 7/8" NAIL DRIVE ANCHORS	--500
-1/4" SPRING WING TOGGLE BOLT	--650
-RAWPLUGS & #8 SHT. METAL SCREWS 1" PENETRATION	1190
-EXPANSION SCREWS FOR #10-24 SCREWS -MIN. LENGTH 5/8"	--1340
-1/4" x 1 1/8" ONE PCE ANCHOR	--1650
-1/4" x 1 3/4" STUD ANCHORS	--1700



**NOTE:**  
EACH END LOCKER TO BE ANCHORED PLUS  
INTERMEDIATE LOCKERS ON 36" CENTERS MAX.

### ANCHORS FOR WOOD:

	MIN. PULL OUT VALUE IN LBS.
-216" (#12) WOOD SCREWS 1" PENETRATION	-----120
1 1/2" PENETRATION	-----180
-242" (#14) WOOD SCREWS 1" PENETRATION	-----135
1 1/2" PENETRATION	-----202
-1/4" DIA. LAG BOLT 1" PENETRATION	-----185
1 1/2" PENETRATION	-----277
-5/16" DIA. LAG BOLT 1" PENETRATION	-----220
1 1/2" PENETRATION	-----330

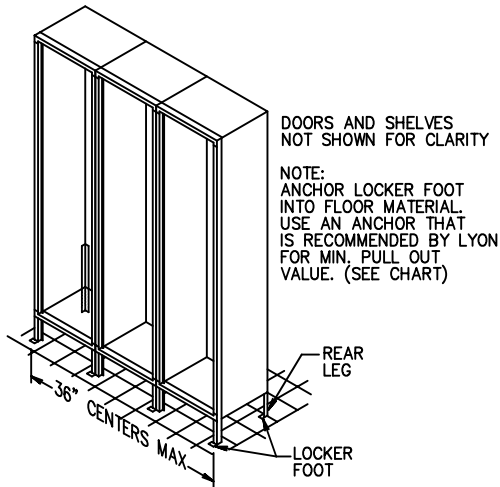


**ERECTION NOTE:**  
1. CONNECT ANCHOR ANGLE TO LOCKERS  
WITH CONSTRUCTION BOLTS AND NUTS.  
2. DRILL ANGLE AND ANCHOR THRU LOCKER  
USING RECOMMENDED ANCHOR.

### POWER ACTUATED ANCHORS:

-9/64" DRIVE PIN 3/4" PENETRATION	-----315
-5/32" DRIVE PIN 1" PENETRATION	-----415

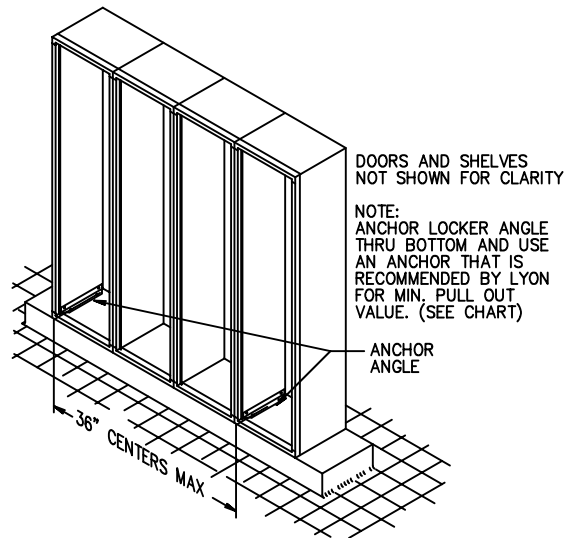
### FREE STANDING SINGLE ROW LOCKERS W/ 6" LEGS



**WARNING:**

ANCHOR MUST HAVE A MINIMUM PULL-OUT VALUE OF 190 LBS., SPACED ON A MAXIMUM 36" CENTERS.

### FREE STANDING SINGLE ROW LOCKERS



**WARNING:**

ANCHOR MUST HAVE A MINIMUM PULL-OUT VALUE OF 190 LBS., SPACED ON A MAXIMUM 36" CENTERS.

## MISSING PARTS OR IN NEED OF ASSEMBLY ASSISTANCE?

Contact us direct for fast friendly service (800) 433-8488

Int'l calls (630) 892-8941 | WEB: WWW.LYONWORKSPACE.COM | Fax (800) 367-6681

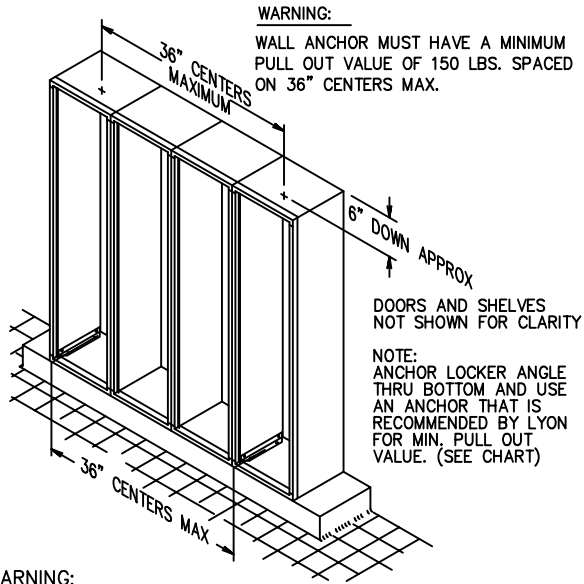
RECOMMENDED ANCHORING  
INSTRUCTIONS  
FOR LYON  
STEEL LOCKERS

**LYON** LYON WORKSPACE PRODUCTS  
P.O. BOX 671  
150 1001 AURORA, IL 60507

# 10200-AA

SHEET 1 OF 2

SINGLE ROW LOCKERS AGAINST A WALL



**WARNING:**  
WALL ANCHOR MUST HAVE A MINIMUM PULL OUT VALUE OF 150 LBS. SPACED ON 36" CENTERS MAX.

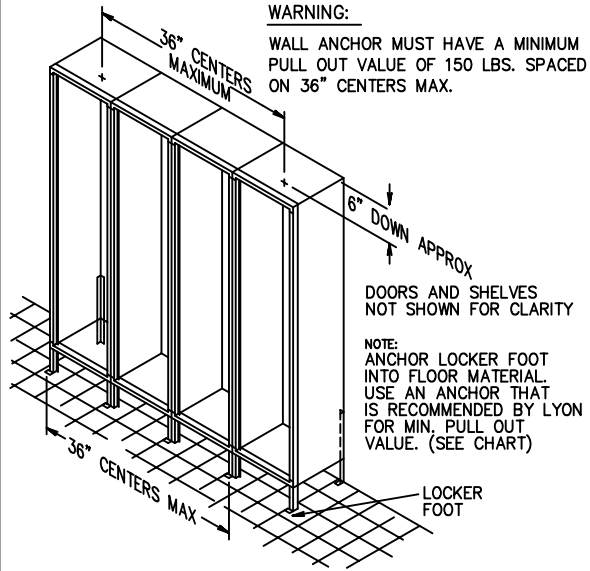
DOORS AND SHELVES NOT SHOWN FOR CLARITY

NOTE: ANCHOR LOCKER ANGLE THRU BOTTOM AND USE AN ANCHOR THAT IS RECOMMENDED BY LYON FOR MIN. PULL OUT VALUE. (SEE CHART)

**WARNING:**

ANCHOR MUST HAVE A MINIMUM PULL-OUT VALUE OF 190 LBS., SPACED ON A MAXIMUM 36" CENTERS.

SINGLE ROW LOCKERS W/ 6" LEGS AGAINST A WALL



**WARNING:**  
WALL ANCHOR MUST HAVE A MINIMUM PULL OUT VALUE OF 150 LBS. SPACED ON 36" CENTERS MAX.

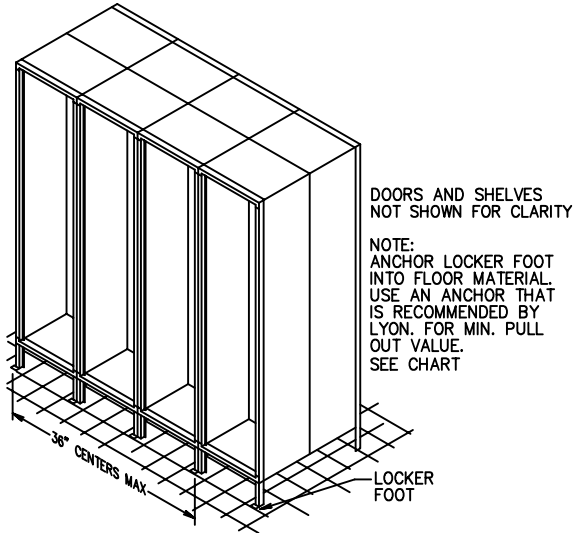
DOORS AND SHELVES NOT SHOWN FOR CLARITY

NOTE: ANCHOR LOCKER FOOT INTO FLOOR MATERIAL. USE AN ANCHOR THAT IS RECOMMENDED BY LYON FOR MIN. PULL OUT VALUE. (SEE CHART)

**WARNING:**

ANCHOR MUST HAVE A MINIMUM PULL-OUT VALUE OF 190 LBS., SPACED ON A MAXIMUM 36" CENTERS.

FREE STANDING DOUBLE ROW LOCKERS W/ 6" LEGS



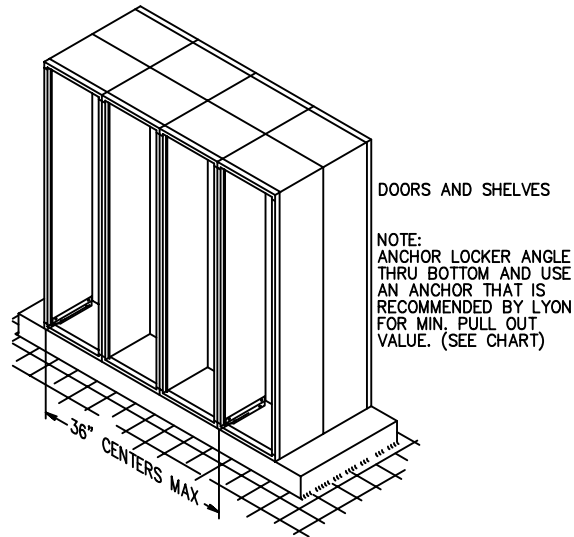
DOORS AND SHELVES NOT SHOWN FOR CLARITY

NOTE: ANCHOR LOCKER FOOT INTO FLOOR MATERIAL. USE AN ANCHOR THAT IS RECOMMENDED BY LYON. FOR MIN. PULL OUT VALUE. SEE CHART

**WARNING:**

ANCHOR MUST HAVE A MINIMUM PULL-OUT VALUE OF 190 LBS., SPACED ON A MAXIMUM 36" CENTERS.

FREE STANDING DOUBLE ROW LOCKERS



DOORS AND SHELVES

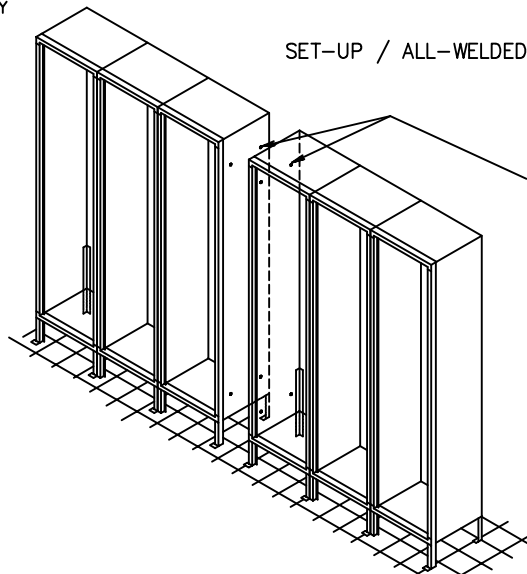
NOTE: ANCHOR LOCKER ANGLE THRU BOTTOM AND USE AN ANCHOR THAT IS RECOMMENDED BY LYON FOR MIN. PULL OUT VALUE. (SEE CHART)

**WARNING:**

ANCHOR MUST HAVE A MINIMUM PULL-OUT VALUE OF 190 LBS., SPACED ON A MAXIMUM 36" CENTERS.

NOT SHOWN FOR CLARITY

SET-UP / ALL-WELDED LOCKERS



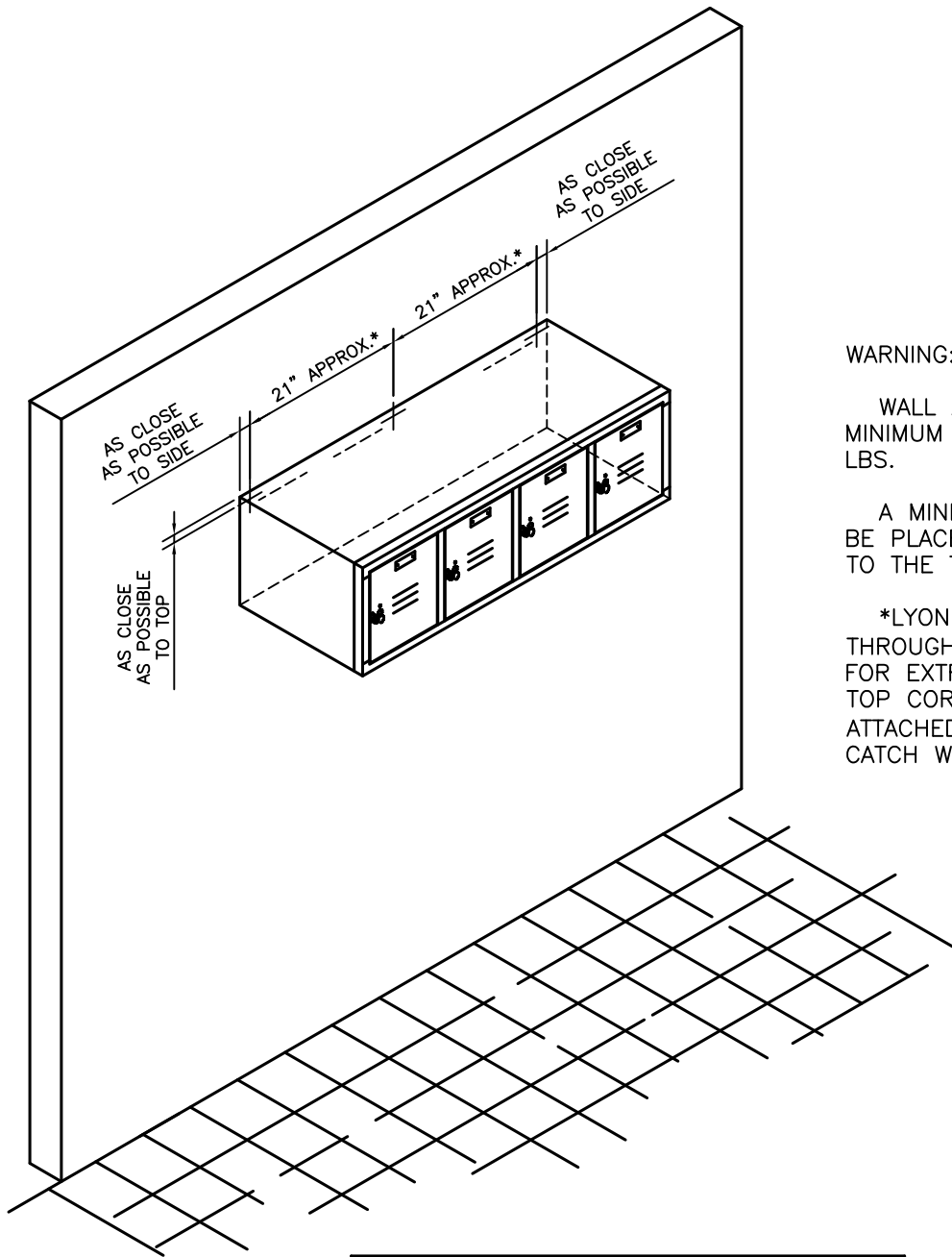
IN ADDITION TO THE INSTRUCTIONS ABOVE: BOLT SIDE BY SIDE ALL-WELDED UNITS IN 4 PLACES WITH 9P1568 SCREW AND OP10288 KEP NUTS. TYPICAL FOR LOCKERS WITH AND WITHOUT LEGS.

RECOMMENDED ANCHORING INSTRUCTIONS FOR LYON STEEL LOCKERS

**LYON** LYON WORKSPACE PRODUCTS  
P.O. BOX 671  
150 1001 AURORA, IL 60507

**10200-AA**

SHEET 2 OF 2



**WARNING:**

WALL ANCHOR MUST HAVE A MINIMUM PULL OUT VALUE OF 150 LBS.

A MINIMUM OF 3 ANCHORS MUST BE PLACED AS CLOSE AS POSSIBLE TO THE TOP CORNERS FOR RIGIDITY.

\*LYON RECOMMENDS ANCHORING THROUGH ANCHORING ANGLES (12") FOR EXTRA SUPPORT ALONG INSIDE TOP CORNER IF ANCHORS MUST BE ATTACHED ON 16" CENTERS TO CATCH WALL STUDS.

**RECOMMENDED ANCHORING METHODS**

(HARDWARE NOT FURNISHED BY LYON)

**ANCHORS FOR MASONRY:**

	MIN. PULL OUT VALUE IN LBS.
-3/16" SPRING WING TOGGLE BOLT -----	200
-9/64" DIA. HAMMER-IN DRIVE PINS	
3/4" PENETRATION -----	400
-3/16" x 7/8" NAIL DRIVE ANCHORS -----	500
-1/4" SPRING WING TOGGLE BOLT -----	650
-RAWPLUGS & #8 SHT. METAL SCREWS	
1" PENETRATION -----	1190
-EXPANSION SCREWS FOR #10-24 SCREWS -----	1340
MIN. LENGTH 5/8"	
-1/4" x 1 1/8" ONE PIECE ANCHOR BOLT -----	1650
-1/4" x 1 3/4" STUD ANCHORS -----	1700

**ANCHORS FOR WOOD:**

	MIN. PULL OUT VALUE IN LBS.
-.216" (#12) WOOD SCREWS	
1 1/2" PENETRATION -----	180
-.242" (#14) WOOD SCREWS	
1 1/2" PENETRATION -----	202
-1/4" DIA. LAG BOLT	
1" PENETRATION -----	185
1 1/2" PENETRATION -----	277
-5/16" DIA. LAG BOLT	
1" PENETRATION -----	220
1 1/2" PENETRATION -----	330

**POWER ACTUATED ANCHORS:**

-9/64" DRIVE PIN	
3/4" PENETRATION -----	315
-5/32" DRIVE PIN	
1" PENETRATION -----	415

10211-AA