

**CABINETS WITHOUT SIDE REINFORCEMENTS MAY BE STACKED UP TO A MAXIMUM HEIGHT OF 180" HIGH AS LONG AS THE TOTAL LOAD DOES NOT EXCEED 15,000 lbs ON THE TOP OF THE BOTTOM CABINET.** (Total load is the cabinet weight and its contents)  
**CABINETS WITH SIDE REINFORCEMENTS MAY BE STACKED UP TO A MAXIMUM HEIGHT OF 240" HIGH AS LONG AS THE TOTAL LOAD DOES NOT EXCEED 28,000 lbs ON THE TOP OF THE BOTTOM CABINET.** (Total load is the cabinet weight and its contents)

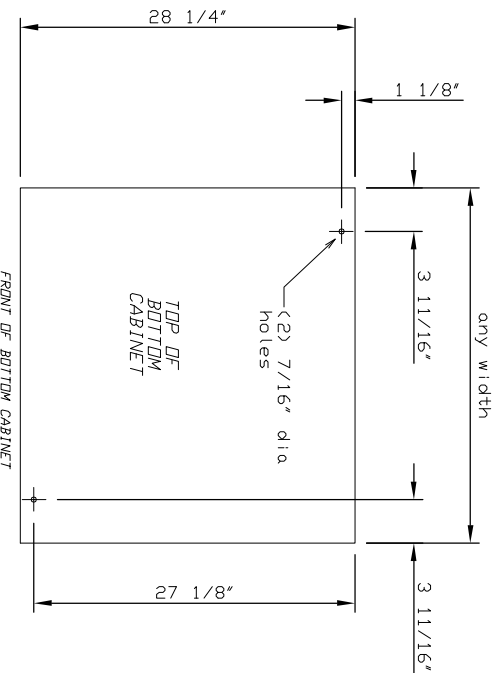
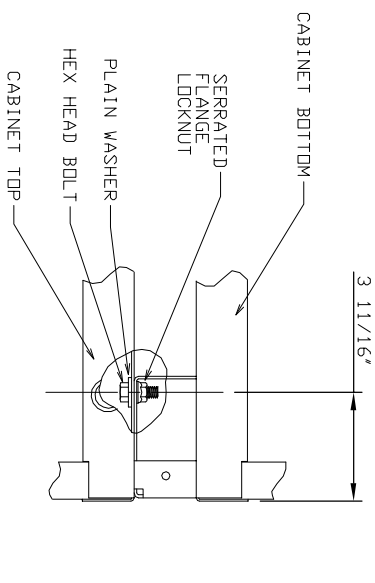
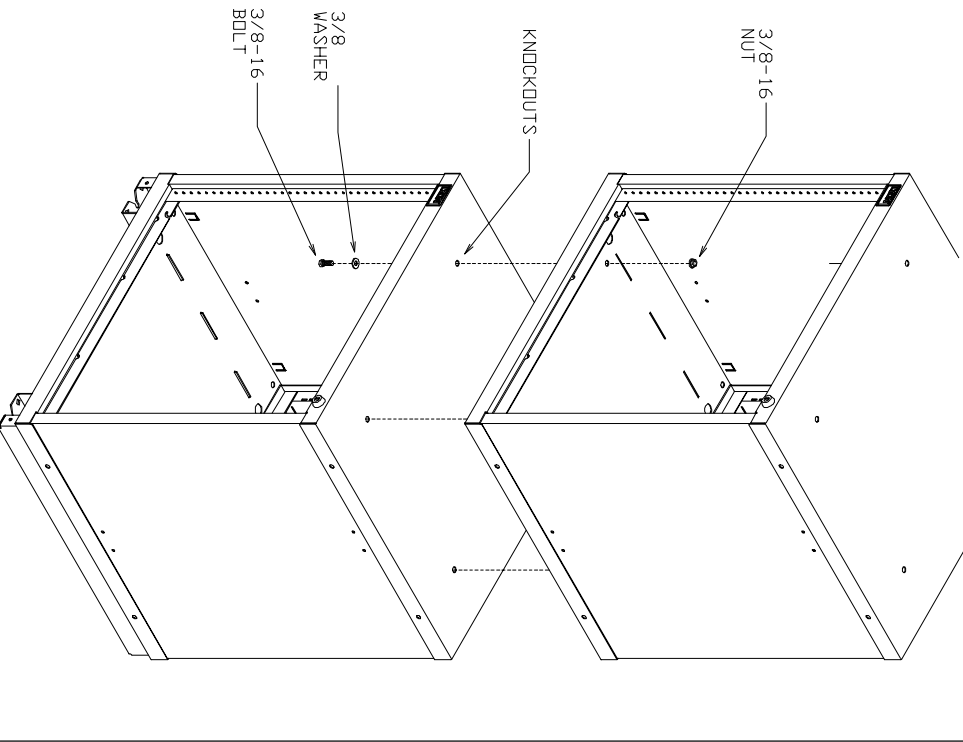
Bottom cabinet must be leveled and securely anchored to floor and ganged to adjacent cabinets per owners manual.  
 Remove sufficient top drawers from the bottom cabinet, and bottom drawers or false bottom from the top cabinet for access.  
 Mark specific locations of drawers and carriers for reinstallation.

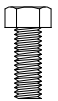
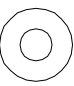

**TOP CABINETS WITHOUT BASE CHANNELS**  
 Remove two of the knockouts from the top of the bottom cabinet using a screwdriver or similar tool. Place top cabinet on bottom cabinet and line up through holes from top cabinet to knock-outs on bottom cabinet. Attach with supplied hardware. Replace drawers and carriers and/or false bottom into specific locations and check for proper operation.

**TOP CABINETS WITH BASE CHANNELS**  
 If bottom cabinet was not ordered with item #240STKS\*, drill top of cabinet as shown below. Place top cabinet on bottom cabinet and align the holes in the base channels of the top cabinet with the holes in the top of the bottom cabinet. Attach with supplied hardware. Replace drawers and carriers and/or false bottom into specific locations and check for proper operation.

**TOP CABINETS WITHOUT BASE CHANNELS**

**TOP CABINETS WITH BASE CHANNELS**



	(2) 3/8"-16 x 1" HEX HEAD BOLT		(2) 3/8" PLAIN WASHER
	(2) 3/8"-16 SEPARATED FLANGE LOCKNUT	<b>SUPPLIED FASTENERS</b>	

**LYON** P.O. Box 671  
 AURORA, IL 60507-0671  
 PHONE: 630-892-8941  
 FAX: 800-387-4681

NOTICE: THIS IS A CONFIDENTIAL DISCLOSURE LOANED BY LYON WORKSPACE FOR REFERENCE PURPOSES ONLY

DATE	DRAWN BY	CHECKED BY
01-19-12	JR	DWV

DESCRIPTION  
**INSTALLATION**  
**CABINET STACKING**  
 MDC

SHEET	DRAWING NUMBER	REV
-	<b>10204AA</b>	5