



# OWNER'S MANUAL



Save This Manual For  
Future Reference

## ERGONOMIC PERFORMANCE PLUS SILVER INDUSTRIAL CHAIR MODEL NOS. 10-3231 and 10-3261

### DESCRIPTION

Your Lyon Ergonomic Performance Plus Silver Industrial Chair and Utility Chair is ergonomically engineered to provide maximum comfort in tough environments. This cutting-edge design is built with premium components for maximum durability and wear. Seat backs are designed with ventilation ridges and lumbar support, encouraging good posture. Dense polyurethane seats and backs provide durability, comfort and long-term support. Pneumatic lift allows 8" of adjustment while you are seated and an additional 10" of manual adjustment by repositioning the lift. Footrest is polyurethane molded over steel. Five-leg base is one-piece construction of welded steel tube. Five-leg base ensures maximum stability, especially critical at high height ranges. Five high-impact, non-marking, oil-resistant glides withstand harsh environments. Casters are available as an option.

### SPECIFICATIONS

Seat Adjustment	.....19-36"
Base Diameter	......24" (Model No. 10-3231)
	......26" (Model No. 10-3261)

### GENERAL SAFETY INSTRUCTIONS

Do not stand on seat. Chair must be on level surface to ensure proper stability. Only use chair when fully assembled. Periodically check fasteners and tighten securely as needed. Never use chair if it does not perform according to this manual. Warranty may be void if chair is used while damaged. Immediately call and report any problems (see How to Order Repair Parts) and always give serial number from label under seat.

**CAUTION:** Allow for optimum support. Never position lift higher than the bottom of the base tube. Always leave at least 1/2" clearance between the bottom of lift and the floor.

### ASSEMBLY

1. Unpack chair. Check all parts against Parts List before beginning assembly. Allow parts to warm to room temperature prior to assembly.
2. Turn base upside down. Locate the pair of holes between adjacent base legs that you need to use for footrest. You have choice of two positions. Refer to "Ergonomic Features" to determine which position you should use. Slide bottom footrest (Key No. 6) between legs. Position footrest about 1" from holes in legs. Slide J-bolts (Key No. 5) into holes in legs, so bolt hook is pointing towards holes in bottom of footrest. Slide footrest onto bolt hooks. Slide flat washers (Key No. 4) onto each J-bolt. Secure each J-bolt with hex nuts (Key No. 3).
3. Place glide onto base leg and tap glide down (Key Nos. 2 and 1) using a rubber mallet. Glides should fit snug. Glides are easier to install if they are slightly expanded. Use blow dryer or warm water (dry thoroughly) to expand glides. Be sure glide is inserted fully onto leg to ensure stability of base. Repeat for other four glides.

4. Slide pneumatic lift (Key No. 7) into base (loosen base knob if necessary) with pneumatic lift piston pointed away from legs. Install stop ring (Key No. 25) into groove in end of pneumatic lift. To install stop ring, gently peel one end of stop ring away from rest of coil. Place end in groove on pneumatic lift. Slide fingers along coil, guiding strip into groove, until stop ring is fully installed.
5. Position pneumatic lift about half way down in base. Tighten base knob (Key No. 24) to secure pneumatic lift.
6. Install seat on top of lift. Align hole in seat control with top of lift and push down on seat to insert firmly together.
7. Insert backstem (Key No. 9) into seat control. Slide backstem plate into seat control slot. Check that backstem is seated under metal flanges. Secure backstem with adjustment knob (Key No. 8).
8. Slide bolt on backrest through slot at top of backstem (Key Nos. 17, 22 and 9). Slide flat washer (Key No. 27) onto bolt. Secure backrest with knob (Key No. 15).
9. Make final chair adjustments following instructions on page 4.

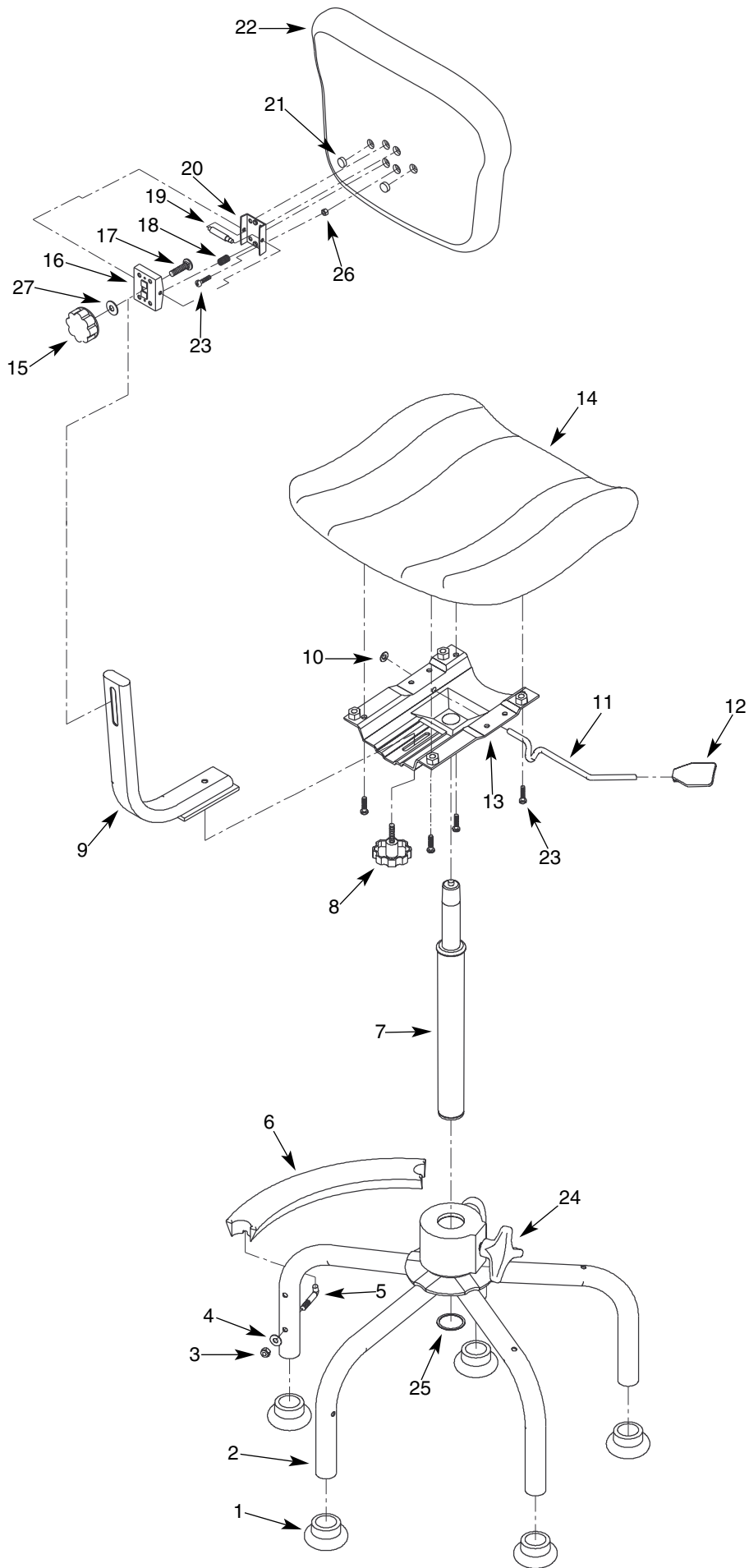
### MAINTENANCE

The pneumatic lift is permanently lubricated at the factory and needs no further lubrication. **Never lubricate the pneumatic lift.** This could damage the lift and void your warranty. Do not remove clip from bottom of lift. Call for immediate assistance if clip is missing or damaged. Clean polyurethane seat and backrest with soap and water. To repair cuts apply a few drops of quick drying glue in the cut and press the sides together until glue sets.

### ERGONOMIC FEATURES

To maximize ergonomic benefits of chair, it is essential to understand how controls function and how that affects your posture.

1. Pneumatic lift control lever is under seat on right side. It adjusts height of chair. Proper height should be determined by a combination of: height of work surface, task performed and body size. Typically, chair should be high enough so arms form a 90° angle at elbow or slightly greater. This allows better circulation in shoulders and neck area and reduces fatigue in forearms and hands. Feet should lie flat on ground or footrest. To help ensure good posture, maintain a 90° angle at bend of knees.
2. Sit centered on seat. Seat pan is slightly saddle shaped to offer firm support. Waterfall front (sloping front edge of seat) reduces pressure under legs and provides for better circulation behind knees. Seat should always swing freely, to help prevent twisting of your spine.
3. Backrest height adjustment knob is behind backrest. It adjusts height of backrest, which has a lumbar support curve to it. The curve in backrest should fit into small of back. This will reduce pressure on the spinal discs, especially in lumbar area.
4. Backrest depth adjustment knob is under seat; loosen it to slide backrest into position. Allow surface of backrest to help support upper body weight by positioning backrest in natural curve of your spine. This will reduce pressure on the spinal discs, especially in lumbar area. The backrest should tilt freely to enable support in various positions.



KEY NO.	DESCRIPTION	QTY	PART NUMBERS FOR MODELS	
			10-3231	10-3261
1	◇ Glide	5	1554.00	1554.00
2	Base	1	1751.00	1750.00
3	◇ 5/16" Fiber Hex Nut	2	1256.01	1256.01
4	◇ 5/16" Flat Washer	2	1762.00	1762.00
5	◇ J-Bolt Footrest	2	1257.01	1257.01
6	Bottom Footrest	1	1758.01	1759.01
7	200mm Pneumatic Lift	1	1753.50	1753.50
8	◇ Backstem Lower Knob	1	1565.00	1565.00
9	Backstem	1	1564.00	1564.00
10	Push Nut	1	1764.00	1764.00
11	Lever	1	1763.00	1763.00
12	Handle	1	1766.00	1766.00
13	Seat Control Assembly (also Includes Key Nos. 10-12)	1	1563.00	1563.00
14	18" Seat	1	1560.00	1560.00
15	3/8"-24 Plastic Knob	1	1571.00	1571.00
16	Outer Plate	1	1567.00	1567.00
17	3/8-24 x 1 1/2" Carriage Bolt	1	1570.00	1570.00
18	Spring	1	1569.00	1569.00
19	Spring Pin	1	1568.00	1568.00
20	Inner Plate	1	1566.00	1566.00
21	Backrest Plug	2	1579.00	1579.00
22	16" Backrest	1	1562.00	1562.00
23	6-1.0 x 25mm Pan Head Screw	8	7824.00	7824.00
24	Base Knob	1	1751.15	1750.15
25	◇ Column Stop Ring	1	1754.00	1754.00
26	Spacer	4	1771.00	1771.00
27	Washer	1	1575.00	1575.00

(◇) Included in Parts Bag

OPTIONAL ACCESSORIES	
Twin Wheel Hard Floor Casters	10-2064
Intermediate Footrest for 23" Base	10-251423
Intermediate Footrest for 26" Base	10-251426
Top Footrest for 23 Base	10-251623
Top Footrest for 26 Base	10-251626

#### HOW TO ORDER REPAIR PARTS

When ordering repair parts or reporting problems, always give the following information:

NAME OF ITEM	MODEL NUMBER
Silver Industrial Performance Plus Chair	10-3231 or 10-3261
PART DESCRIPTION	PART NUMBER

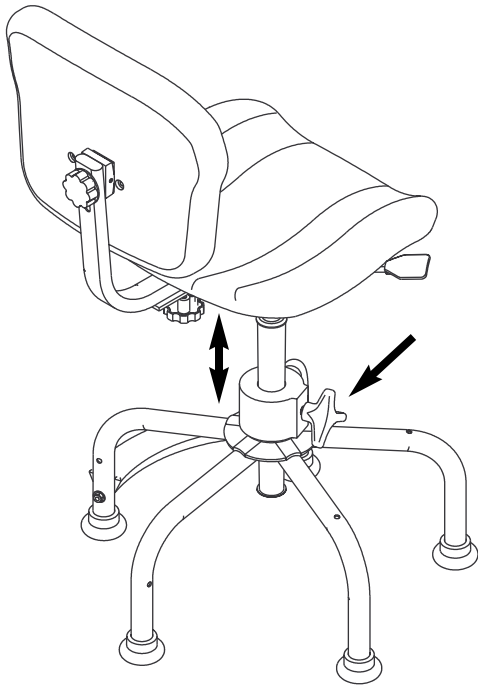
All parts listed may be ordered from your local Lyon Dealer or Lyon Workspace Products, P.O. Box 671, Aurora, IL 60507  
800/323-0082 or 630/892-8941

# CHAIR ADJUSTMENT INSTRUCTIONS

To maximize ergonomic benefits of this chair, it is essential to understand how controls function and how they affect your posture.

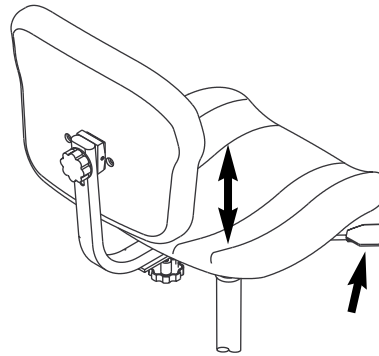
## LIFT HEIGHT ADJUSTMENT

Lay chair on its side and loosen base knob (Key No. 24). To increase height of seat, grasp seat and pull away from base. To decrease height of seat, grasp seat and push toward base. Retighten knob. Stand chair back up.



## SEAT HEIGHT ADJUSTMENT

Sit in seat. Locate handle (Key No 12) under right side of seat and pull up. Ease your weight up or down until you have reached the height you want. See "Ergonomic Features - 1" for advice for proper height. Release lever. If adjustment range is not enough, try "Lift Height Adjustment" and then repeat "Seat Height Adjustment".

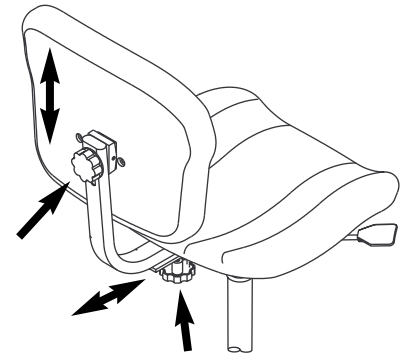


## BACKREST HEIGHT ADJUSTMENT

Loosen knob (Key No. 15) behind backrest. Adjust backrest until curve fits into small of your back. This will reduce pressure on the spinal discs, especially in lumbar area. Retighten knob.

## BACKREST DEPTH ADJUSTMENT

Adjustment knob (Key No. 8) is located under seat just behind pneumatic lift. Loosen knob. Slide backrest into position in curve of your spine to help support upper body weight. Backrest should tilt freely to enable support in various positions. Retighten knob.



## WARRANTY

Lyon Workspace Products warrants all of its products to be free from manufacturing defects for the life of the product when it is used in accordance with manufacturer's specifications and/or operating instructions. The life of the product is ten years of single shift users, five years for two shift users, and two-and-a-half years for three shift users, for users not weighing more than 250 pounds.

During this period Lyon Workspace Products will repair or replace, at its option, any part found upon examination to be defective. Freight, labor or service charges for removal of defective parts and installation of replacement parts are not included. **All parts that are replaced due to wear, misuse or abuse are not covered by the warranty but replacement parts can be purchased from Lyon Workspace Products.**

This warranty applies to the original purchaser, and the purchaser's sole remedy under this warranty is limited to replacement or repair of the product and specifically excludes consequential, incidental or any other damages directly or indirectly resulting from a failure or loss of use of or by Lyon Workspace Products.

To obtain warranty service, a return authorization by Lyon Workspace Products must accompany all returned merchandise.

Contact your Lyon Dealer or Lyon Workspace Products, P.O. Box 671, Aurora, IL 60507, 800/323-0082 or 630/892-8941.