



# OWNER'S MANUAL



Save This Manual For  
Future Reference

## ERGONOMIC PERFORMANCE PLUS PLATINUM AND PLATINUM PLUS INDUSTRIAL CHAIR

### MODEL NOS. 10-3233, 10-3263 and 10-3264

#### DESCRIPTION

Your Lyon Ergonomic Performance Plus Platinum Industrial or Utility Chair or Platinum Plus Industrial Chair is ergonomically engineered to provide maximum comfort in tough environments. This cutting-edge design is built with premium components for maximum durability and wear. Seat backs are designed with ventilation ridges and lumbar support encouraging good posture. Dense polyurethane seats and backs provide durability, comfort and long-term support. Pneumatic lift allows 8" of adjustment while you are seated and an additional 10" of manual adjustment by repositioning the lift. Footrests are polyurethane molded over steel. Five-leg base is one-piece construction of welded steel tube. Five-leg base ensures maximum stability, especially critical at high height ranges. Five high-impact, non-marking, oil-resistant glides withstand harsh environments. Casters are available as an option.

#### SPECIFICATIONS

Seat Adjustment	.....19-36"
Base Diameter	......24" (Model No. 10-3233)
	......26" (Model No. 10-3263 & 10-3264)

#### GENERAL SAFETY INSTRUCTIONS

Do not stand on seat. Chair must be on level surface to ensure proper stability. Only use chair when fully assembled. Periodically check fasteners and tighten securely as needed. Never use chair if it does not perform according to this manual. Warranty may be void if chair is used while damaged. Immediately call and report any problems (see How to Order Repair Parts) and always give serial number from label under seat.

**CAUTION:** Allow for optimum support. Never position lift higher than the bottom of the base tube. Always leave at least 1/2" clearance between the bottom of lift and the floor.

#### ASSEMBLY

1. Unpack chair. Check all parts against Part List before beginning assembly. Allow parts to warm to room temperature prior to assembly.
2. Insert threaded ends of top footrest (Key No. 24) into holes in top of base legs. Slide washer (Key No. 4) onto screw and secure with hex nut (Key No. 3). Repeat for other screw.
3. Turn base upside down. Locate pair of holes between adjacent legs near curved portion. Slide bottom footrest (Key No. 6) between legs. Position footrest near curve about 1" from holes in legs. Slide J-bolts (Key No. 5) into holes in legs, so bolt hook is pointing towards holes in bottom of footrest. Slide footrest onto bolt hooks. Slide flatwashers (Key No. 4) onto each J-bolt. Secure each J-bolt with hex nuts (Key No. 3). Repeat process for lowest bottom footrest.
4. Place glide onto base leg and tap (Key Nos. 2 and 1) using a rubber mallet. Glides should fit snug. Glides are easier to install if they are slightly expanded. Use blow dryer or warm water (dry thoroughly) to expand glides. Be sure glide is inserted fully onto leg to ensure stability of base. Repeat for other four glides.
5. Slide pneumatic lift (Key No. 7) (loosen base knob if necessary) into base with pneumatic lift piston pointed away from legs. Insert stop

- ring (Key No. 26) into groove in end of pneumatic lift. To install stop ring, gently peel one end of stop ring away from rest of coil. Place end in groove on pneumatic lift. Slide fingers along coil, guiding strip into groove, until stop ring is fully installed.
6. Position pneumatic lift about half way down in base. Tighten base knob (Key No. 25) to secure pneumatic lift.
7. Install seat on top of lift. Align hole in seat control with top of lift and push down on seat to insert firmly together.
8. Insert backstem (Key No. 16) into seat control. Slide washer onto adjustment knob (Key Nos. 10 and 9). Secure backstem with adjustment knob through slot in seat control.
9. Make final chair adjustments following instructions on page 4.

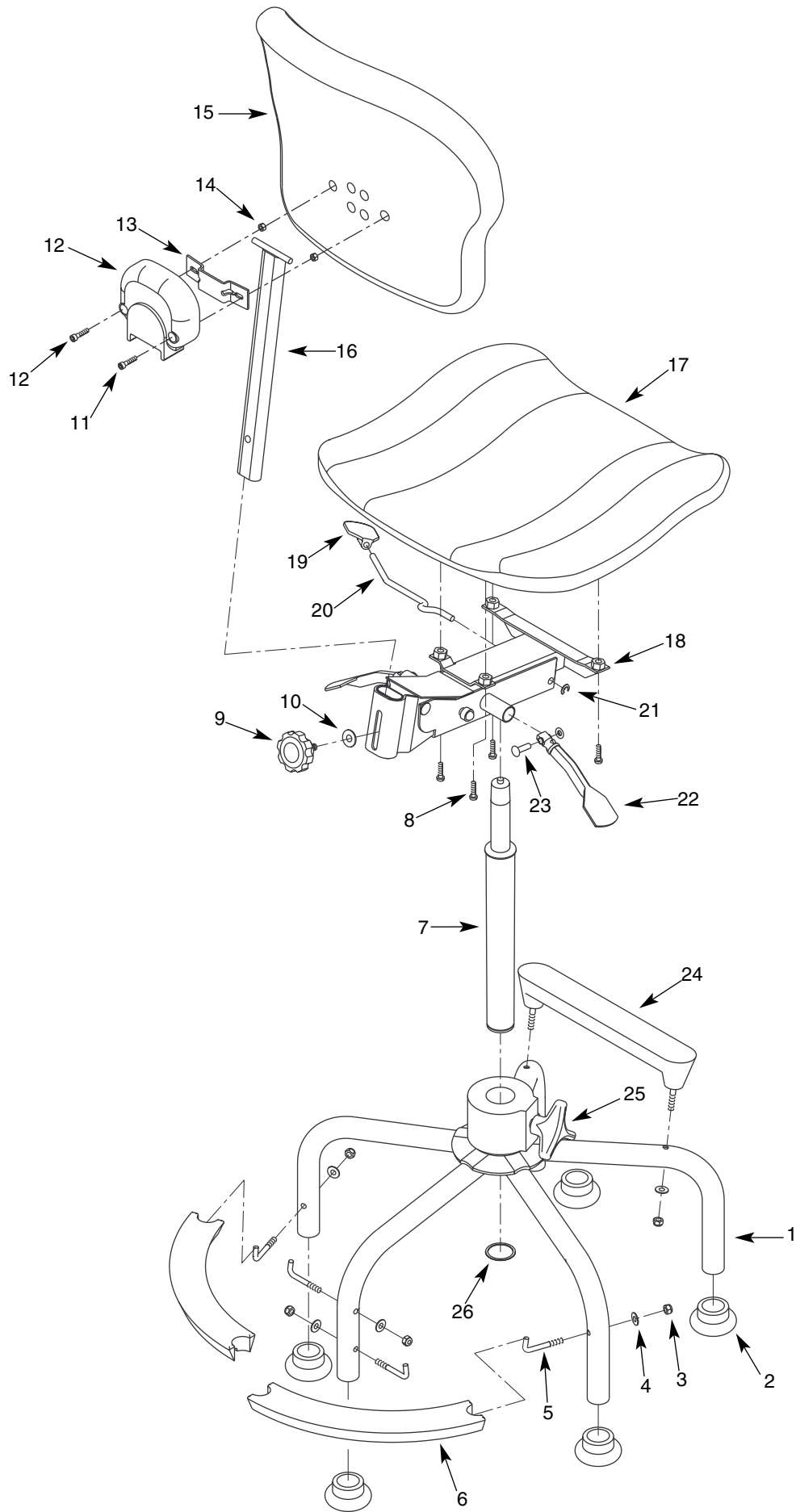
#### MAINTENANCE

The pneumatic lift is permanently lubricated at the factory and needs no further lubrication. **Never lubricate the pneumatic lift.** This could damage the lift and void your warranty. Do not remove clip from bottom of lift. Call for immediate assistance if clip is missing or damaged. Clean polyurethane seat and backrest with soap and water. To repair cuts, apply a few drops of quick drying glue in the cut and press the sides together until glue sets.

#### ERGONOMIC FEATURES

To maximize ergonomic benefits of chair, it is essential to understand how controls function and how that affects your posture.

1. Pneumatic lift control lever is under seat on left side. It adjusts height of chair. Proper height should be determined by a combination of: height of work surface, task performed and body size. Typically, chair should be high enough so arms form a 90° angle at elbow or slightly greater. This allows better circulation in shoulders and neck area and reduces fatigue in forearms and hands. Feet should lie flat on ground or footrest. To help ensure good posture, maintain a 90° angle at bend of knees.
2. Sit centered on seat. Seat pan is slightly saddle shaped to offer firm support. Waterfall front (sloping front edge of seat) reduces pressure under legs and provides for better circulation behind knees. Seat should always swing freely, to help prevent twisting of your spine.
3. Backrest height adjustment knob is behind seat control. It adjusts height of backrest, which has a lumbar support curve to it. Curve in backrest should fit into small of back. This will reduce pressure on the spinal discs, especially in lumbar area.
4. Backstem angle adjustment lever is the rear lever under seat on left side. It adjusts angle of backstem and is especially critical for work tasks that require leaning forward. Allow surface of backrest to help support upper body weight by positioning backrest in natural curve of your spine. This will reduce pressure on the spinal discs, especially in lumbar area. Backrest should tilt freely to enable support in various positions.
5. Seat tilt is the lever under seat on right side. This function is important for work tasks that require leaning forward. 10° tilt allows you to lean forward without extra pressure under the thighs.



KEY NO.	DESCRIPTION	QTY	PART NUMBERS FOR MODELS		
			10-3233	10-3263	10-3264
1	Base	1	1751.00	1750.00	1750.00
2	◇ Glide	5	1554.00	1554.00	1554.00
3	◇ 5/16" Fiber Hex Nut	6	1256.01	1256.01	1256.01
4	◇ 5/16" Flat Washer	6	1762.00	1762.00	1762.00
5	◇ J-bolt, Footrest	4	1257.01	1257.01	1257.01
6	Bottom Footrest	2	1758.01	1759.01	1759.01
7	200mm Pneumatic lift	1	1753.50	1753.50	1753.50
8	6-1.0 x 25mm Pan Head Screw	4	7824.00	7824.00	7824.00
9	◇ Adjustment Knob	1	1576.00	1576.00	1576.00
10	◇ Washer	1	1575.00	1575.00	1575.00
11	6-1.0 x 25mm Socket Head Bolt	1	1729.00	1729.00	1729.00
12	Back Shroud	1	1577.00	1577.00	1577.00
13	Pivot Bracket	1	1574.00	1574.00	1574.00
14	Spacer	2	1771.00	1771.00	1771.00
15	18" Backrest	1	1561.00	1561.00	1561.00
16	Backstem	1	1573.00	1573.00	1573.00
17	Seat	1	1559.00	1559.00	1558.00
18	Seat Control Assembly (also Include Key Nos. 19-22)	1	1578.00	1578.00	1578.00
19	Handle	1	1766.00	1766.00	1766.00
20	Lever	1	1765.00	1765.00	1765.00
21	3CMI-8 E-Ring	1	1767.00	1767.00	1767.00
22	Control Handle	2	1768.00	1768.00	1768.00
23	Pin with Push Nut	2	1769.00	1769.00	1769.00
24	Top Footrest	1	1756.00	1757.00	1757.00
25	Base Knob	1	1751.15	1750.15	1750.15
26	◇ Stop Ring	1	1754.00	1754.00	1754.00

(◇) Included in Parts Bag

OPTIONAL ACCESSORIES	
Twin Wheel Hard Floor Casters	10-2064
Arm Rest Loop Assembly	10-2068
T Pad Armrest Assembly	10-2076

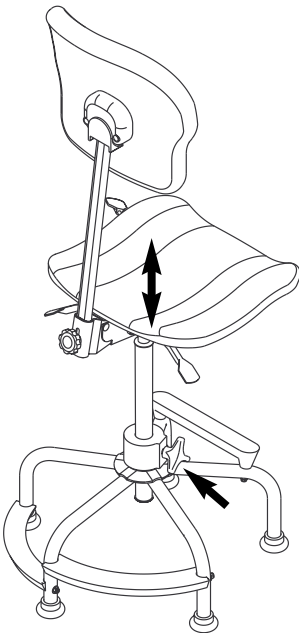
HOW TO ORDER REPAIR PARTS	
When ordering repair parts or reporting problems, always give the following information:	
<b>NAME OF ITEM</b>	<b>MODEL NUMBER</b>
Platinum and Platinum Plus Industrial Chair	10-3233, 10-3263, or 10-3264
<b>PART DESCRIPTION</b>	<b>PART NUMBER</b>
All parts listed may be ordered from your local Lyon Dealer or Lyon Workspace Products, P.O. Box 671, Aurora, IL 60507 800/323-0082 or 630/892-8941	

# CHAIR ADJUSTMENT INSTRUCTIONS

To maximize ergonomic benefits of this chair, it is essential to understand how controls function and how they affect your posture.

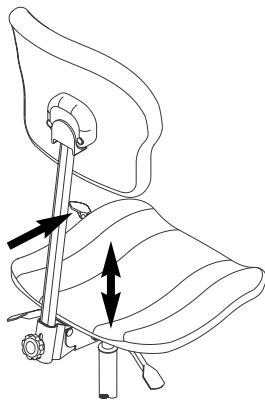
## LIFT HEIGHT ADJUSTMENT:

Lay chair on its side and loosen base knob (Key No. 25). To increase height of seat, grasp seat and pull away from base. To decrease height of seat, grasp seat and push toward base. Retighten knob. Stand chair back up.



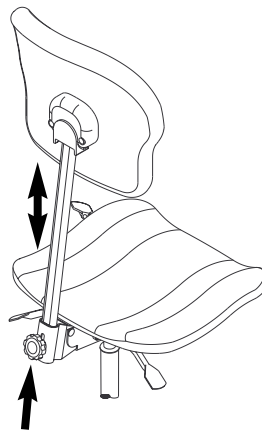
## SEAT HEIGHT ADJUSTMENT:

Sit in seat. Locate handle (Key No. 19) (front lever under left side of seat) and pull up. Ease your weight up or down until you have reached the height you want. See "Ergonomic Features - 1" for advice for proper height. Release lever. If adjustment range is not enough, try "Lift Height Adjustment" and then repeat "Seat Height Adjustment".



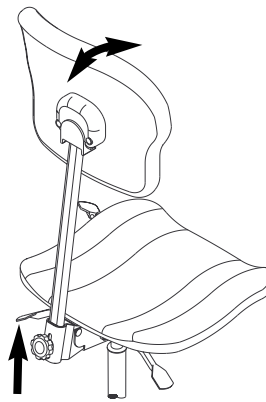
## BACKREST HEIGHT ADJUSTMENT:

Loosen knob (Key No. 9) behind seat control. Adjust height of backrest until curve fits into small of your back. This will reduce pressure on the spinal discs, especially in lumbar area. Tighten knob.



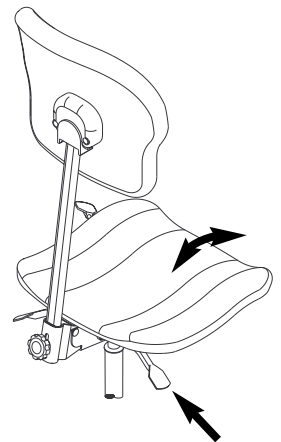
## BACKSTEM ANGLE ADJUSTMENT:

Backstem angle adjustment lever is the rear lever under seat on left side. See "Ergonomic Features - 4" for advice for proper backrest depth. Pull up on lever to release backstem. Adjustment spring in seat control will bring the backrest forward. Lean back on backrest until you find a comfortable depth for support. Lock position by pushing down on lever.



## SEAT TILT ADJUSTMENT:

Seat tilt is the lever under seat on right side. Lift lever and shift your weight forward on seat to tilt seat into position. Lock position by pushing down on lever.



## WARRANTY

Lyon Workspace Products warrants all of its products to be free from manufacturing defects for the life of the product when it is used in accordance with manufacturer's specifications and/or operating instructions. The life of the product is ten years of single shift users, five years for two shift users, and two-and-a-half years for three shift users, for users not weighing more than 250 pounds.

During this period Lyon Workspace Products will repair or replace, at its option, any part found upon examination to be defective. Freight, labor or service charges for removal of defective parts and installation of replacement parts are not included. **All parts that are replaced due to wear, misuse or abuse are not covered by the warranty but replacement parts can be purchased from Lyon Workspace Products.**

This warranty applies to the original purchaser, and the purchaser's sole remedy under this warranty is limited to replacement or repair of the product and specifically excludes consequential, incidental or any other damages directly or indirectly resulting from a failure or loss of use of or by Lyon Workspace Products.

To obtain warranty service, a return authorization by Lyon Workspace Products must accompany all returned merchandise.

Contact your Lyon Dealer or Lyon Workspace Products, P.O. Box 671, Aurora, IL 60507, 800/323-0082 or 630/892-8941.