



OWNER'S MANUAL



Save This Manual For
Future Reference

ERGONOMIC PERFORMANCE PLUS HEAVY DUTY INDUSTRIAL CHAIR MODEL NO. 10-3262HD

DESCRIPTION

Your Lyon Ergonomic Performance Plus Heavy Duty Industrial Chair is ergonomically engineered to provide maximum comfort in tough environments. This cutting-edge design is built with premium components for maximum durability and wear. The back is designed with ventilation ridges and lumbar support encouraging good posture. Dense polyurethane seats and backs provide durability, comfort and long-term support. Pneumatic lift allows 8" of adjustment while you are seated. Five-leg base is one-piece construction of molded nylon with ribbed fiberglass reinforcement. Five-leg base ensures maximum stability, especially critical at high height ranges. Five high-impact, non-marking, oil-resistant glides withstand harsh environments.

SPECIFICATIONS

Seat Adjustment.	20-28"
Base Diameter.	25"

GENERAL SAFETY INSTRUCTIONS

Do not stand on seat. Chair must be on level surface to ensure proper stability. Only use chair when fully assembled. Periodically check fasteners and tighten securely as needed. Never use chair if it does not perform according to this manual. Warranty may be void if chair is used while damaged. Immediately call and report any problems (see How to Order Repair Parts) and always give the serial number from label under seat.

ASSEMBLY

1. Unpack chair. Check all parts against parts list before beginning assembly. Allow parts to warm to room temperature prior to assembly.
 2. Install glides into each of the legs of the base (Key Nos. 1 and 2). Press firmly into place. Be sure the glide is inserted completely into leg for proper stability.
 3. Insert pneumatic lift (Key No. 3) into base, tapered end down. Remove yellow plastic cap from end of lift assembly. Secure the lift by applying a little downward pressure.
- CAUTION:** When applying downward pressure, avoid plastic button at top of lift as pressure will release pneumatic lift.
4. Place telescoping dust cover (Key No. 4) over exposed lift.
 5. Install seat on top of lift. Align hole in seat control (Key No. 5) with top of lift and push down on seat to insert firmly together.

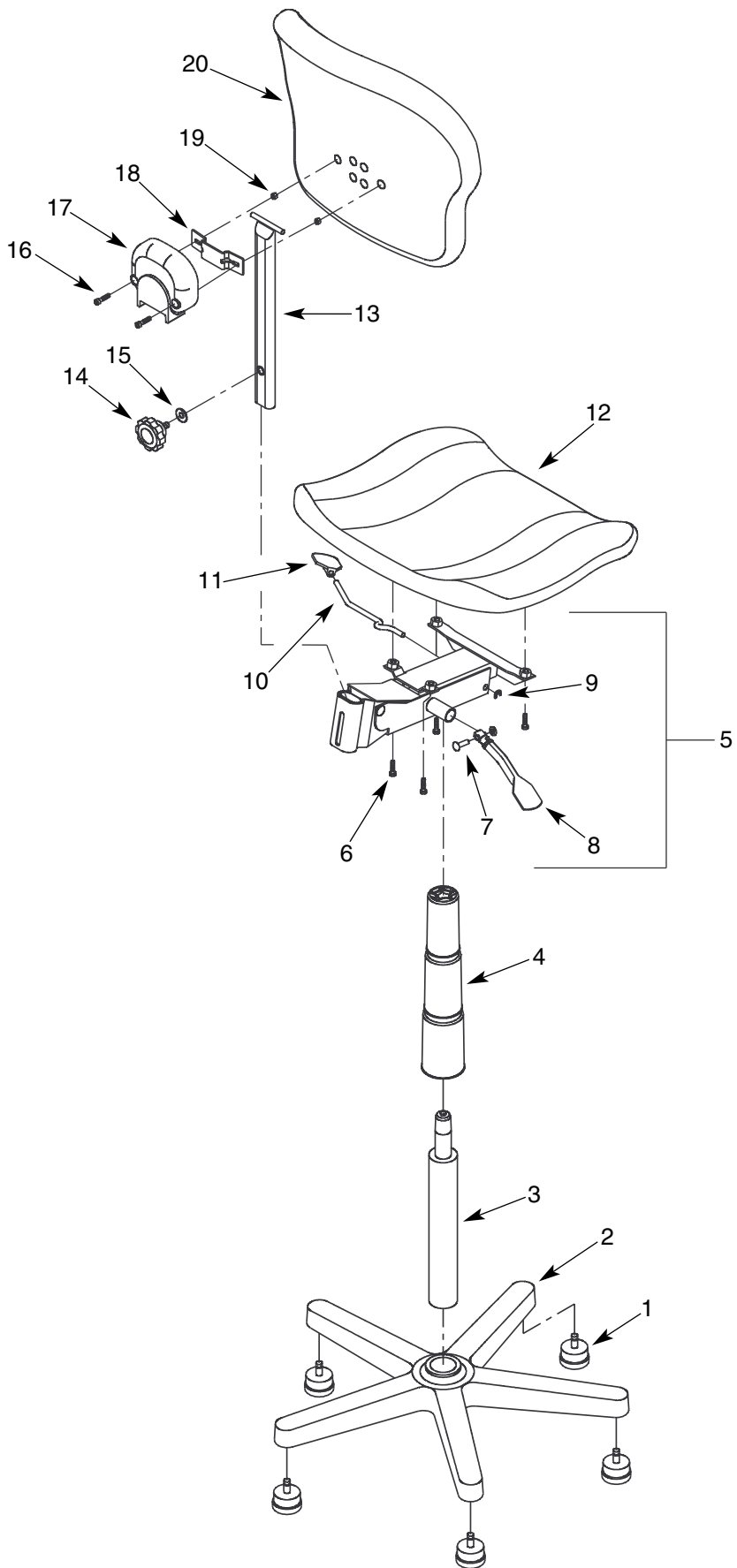
6. Insert backstem (Key No. 13) into seat control. Slide washer onto adjustment knob (Key Nos. 15 and 14) and secure backstem with adjustment knob through slot in seat control.
7. Make final chair adjustments following instructions on page 4.

MAINTENANCE

The pneumatic lift is permanently lubricated at the factory and needs no further lubrication. **Never lubricate the pneumatic lift.** This could damage the lift and void your warranty. Do not remove clip from bottom of lift. Call for immediate assistance if clip is missing or damaged. Clean polyurethane seat and backrest with soap and water. To repair cuts apply a few drops of quick drying glue in the cut and press the sides together until glue sets.

ERGONOMIC FEATURES

- To maximize ergonomic benefits of chair, it is essential to understand how controls function and how that affects your posture.
1. Pneumatic lift control lever is under seat on left side. It adjusts height of chair. Proper height should be determined by a combination of: height of work surface, task performed and body size. Typically, chair should be high enough so arms form a 90° angle at elbow or slightly greater. This allows better circulation in shoulders and neck area and reduces fatigue in forearms and hands. Feet should lie flat on ground or footrest. To help ensure good posture, maintain a 90° angle at bend of knees.
 2. Sit centered on seat. Seat pan is slightly saddle shaped to offer firm support. Waterfall front (sloping front edge of seat) reduces pressure under legs and provides for better circulation behind knees. Seat should always swing freely, to help prevent twisting of your spine.
 3. Backrest height adjustment knob is behind seat control. It adjusts height of backrest, which has a lumbar support curve to it. Curve in backrest should fit into small of back. This will reduce pressure on the spinal discs, especially in lumbar area.
 4. Backstem angle adjustment lever is under seat on right side. It adjusts angle of backstem and is especially critical for work tasks that require leaning forward. Allow surface of backrest to help support upper body weight by positioning backrest in natural curve of your spine. This will reduce pressure on the spinal discs, especially in lumbar area. Backrest should tilt freely to enable support in various positions.



KEY NO.	DESCRIPTION	QTY	PART NO.
1	Glide	5	01545.00
2	Base	1	10291.00
3	200mm Heavy Duty Pneumatic Lift	1	10065.01
4	Telescoping Dust Cover	1	02912.01
5	Control Assembly	1	01572.00
6	6-1.0 x 25mm Pan Head Screw	4	07824.00
7	Pin with Push Nut	1	01769.00
8	Control Handle	1	01768.00
9	3CMI-8 E-Ring	1	01767.00
10	Lever	1	01765.00
11	Handle	1	01766.00
12	20" Seat	1	01559.05
13	Backstem	1	01573.00
14	Adjustment Knob	1	01576.00
15	Washer	1	01575.00
16	6-1.0 x 35mm Socket Head Bolt	2	07826.00
17	Back Shroud	1	01577.00
18	Pivot Bracket	1	01574.00
19	Spacer	2	01771.00
20	18" Backrest	1	01561.05

OPTIONAL ACCESSORIES	
Arm Rest Loop Assembly	10-2068
T Pad Armrest Assembly	10-2076

HOW TO ORDER REPAIR PARTS	
When ordering repair parts or reporting problems, always give the following information:	
NAME OF ITEM Heavy Duty Industrial Performance Plus Chair	MODEL NUMBER 10-3262HD
PART DESCRIPTION	PART NUMBER
All parts listed may be ordered from your local Lyon Dealer or Lyon Workspace Products, P.O. Box 671, Aurora, IL 60507 800/323-0082 or 630/892-8941	

CHAIR ADJUSTMENT INSTRUCTIONS

To maximize ergonomic benefits of this chair, it is essential to understand how controls function and how they affect your posture.

SEAT HEIGHT ADJUSTMENT:

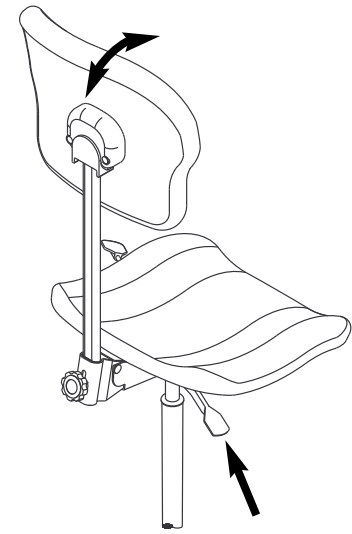
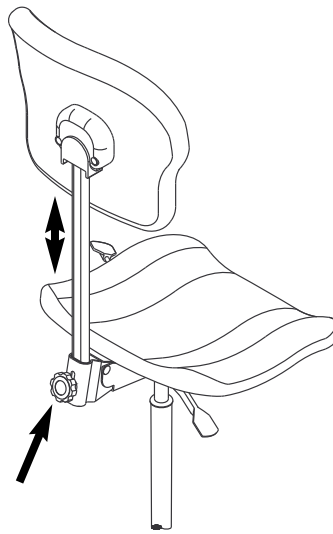
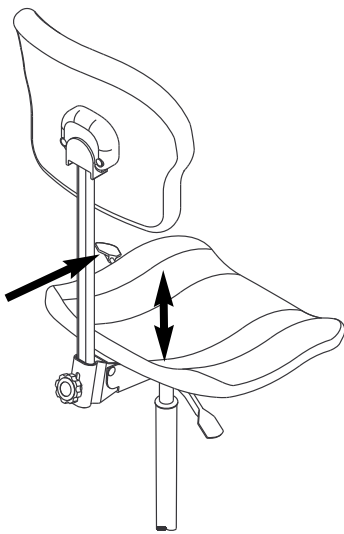
Sit in seat. Locate adjustment lever handle (Key No. 11) under left side of seat and pull up. Ease your weight up or down until you have reached the height you want. See "Ergonomic Features Number - 1" for advice for proper height. Release lever.

BACKREST HEIGHT ADJUSTMENT:

Backrest height adjustment knob is behind seat control. Loosen knob (Key No. 14). It adjusts height of backrest, which has a lumbar support curve to it. Adjust backrest until the curve fits into the small of your back. This will reduce pressure on the spinal discs, especially in the lumbar area. Tighten knob.

BACKSTEM ANGLE ADJUSTMENT:

Backstem angle adjustment lever is under seat on right side. See "Ergonomic Features Number - 4" for advice for proper backrest depth. Pull up on lever to release backstem. Adjustment spring in seat control will bring the backrest forward. Lean back on backrest until you find a comfortable depth for support. Lock position by pushing down on lever.



WARRANTY

Lyon Workspace Products warrants all of its products to be free from manufacturing defects for the life of the product when it is used in accordance with manufacturer's specifications and/or operating instructions. The life of the product is ten years of single shift users, five years for two shift users, and two-and-a-half years for three shift users, for users not weighing more than 350 pounds.

During this period Lyon Workspace Products will repair or replace, at its option, any part found upon examination to be defective. Freight, labor or service charges for removal of defective parts and installation of replacement parts are not included. **All parts that are replaced due to wear, misuse or abuse are not covered by the warranty but replacement parts can be purchased from Lyon Workspace Products.**

This warranty applies to the original purchaser, and the purchaser's sole remedy under this warranty is limited to replacement or repair of the product and specifically excludes consequential, incidental or any other damages directly or indirectly resulting from a failure or loss of use of or by Lyon Workspace Products.

To obtain warranty service, a return authorization by Lyon Workspace Products must accompany all returned merchandise.

Contact your Lyon Dealer or Lyon Workspace Products, P.O. Box 671, Aurora, IL 60507, 800/323-0082 or 630/892-8941.