



Save This Manual For
Future Reference

OWNER'S MANUAL



UTILITY CHAIR MODEL NO. 2036N

DESCRIPTION

Lyon Utility Chair is ergonomically engineered for durability, support, comfort and long wear in tough environments. Pneumatic lift allows 8" of adjustment while you are seated and an additional 3" of manual adjustment by repositioning the lift. Footrests are formed sheet steel. Five-leg base is one-piece construction of welded steel tube, for stability, at high height ranges. Five high-impact, non-marking, oil-resistant glides withstand harsh environments. Casters are available as an option.

GENERAL SAFETY INSTRUCTIONS

Do not stand on seat. Chair must be on level surface to ensure proper stability. Only use chair when fully assembled. Periodically check fasteners and tighten securely as needed. Never use chair if it does not perform according to this manual. Warranty may be void if chair is used while damaged. Immediately call and report any problems (see How to Order Repair Parts) and always give the serial number from label under seat.

CAUTION: Allow for optimum support. Never position lift higher than the bottom of the base tube. Always leave at least 1/2" clearance between the bottom of the lift and the floor.

ASSEMBLY

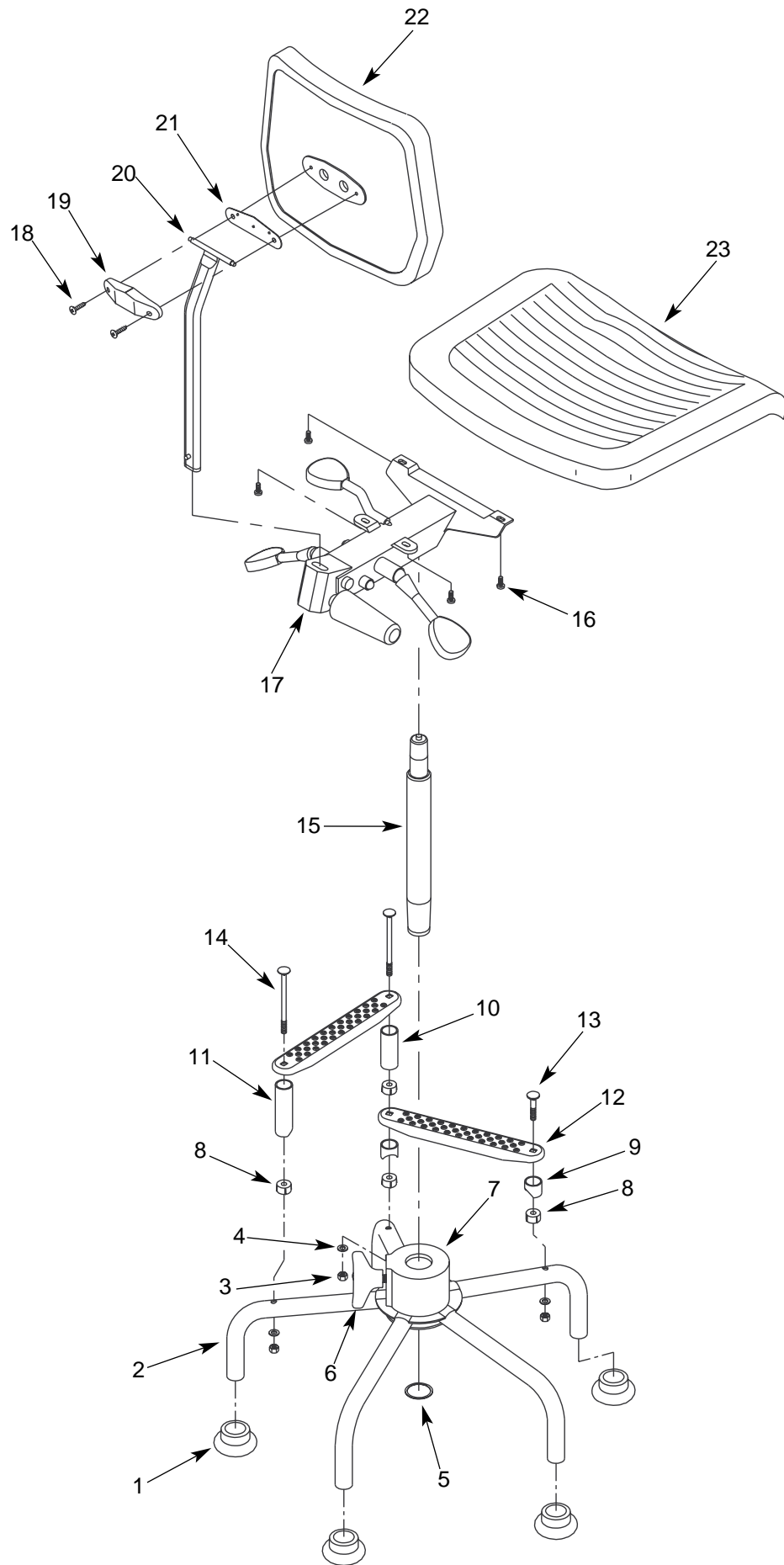
1. Unpack chair. Check all parts against parts list before beginning assembly. Allow parts to warm to room temperature prior to assembly.
2. Turn base upside down. Place glide onto base leg and tap glide down (Key Nos. 1 and 2) using a rubber mallet. Glides should fit snug. Glides are easier to install if they are slightly expanded. Use blow dryer or warm water (dry thoroughly) to expand glides. Be sure glide is inserted fully onto leg to ensure stability of base. Repeat for other four glides. Turn base right side up.
3. Install one bushing (Key No. 8) into each spacer (Key Nos. 9, 10 and 11). Push flat end of bushing into curved end of spacer until bottom of spacer is above deepest curve. Slide short carriage bolt (Key No. 13) through top of footrest, small spacer and bushing (Key Nos. 8, 9 and 12).
 - a. **NOTE:** Lower footrest can be mounted to left or right of higher footrest.
Slide threaded end of short carriage bolt through desired hole in top of base leg for outside end of lower footrest.

4. Put second small spacer with bushing into position under other end of lower footrest. Place medium spacer (Key No. 10) with bushing over hole in footrest. Position hole in upper footrest over medium spacer. Slide long carriage bolt (Key No. 14) through footrests and base leg. Align open hole in top footrest with last hole in base leg. Slide long carriage bolt through footrest, large spacer, bushing and base leg (Key Nos. 14, 12, 11, 8 and 2). Place side of spacers with deepest curve towards center of base. Slide flat washer (Key No. 4) onto end of carriage bolt, and secure with hex nut (Key No. 3). Repeat for two other carriage bolts.
5. Slide pneumatic lift (Key No. 15) into base (loosen base knob if necessary) with pneumatic lift piston pointed away from legs. Insert stop ring (Key No. 5) into groove in end of pneumatic lift. To install stop ring, gently peel one end of stop ring away from rest of coil. Place end in groove on pneumatic lift. Slide fingers along coil, guiding strip into groove, until stop ring is fully installed.
6. Position pneumatic lift about half way down in base. Tighten base knob (Key No. 6) to secure pneumatic lift.
7. Install seat (Key No. 23) on top of lift. Align hole in control assembly (Key No. 17) with top of lift. Push down on seat to insert firmly together. Underneath the left side of seat is a handle to adjust height of lift.
8. Insert the backstem (Key No. 20) from back assembly into slot at back of seat. Use a standard screwdriver to depress push button at bottom of backstem. Slide until backstem goes all the way through slot and sticks out of the bottom about 2". It may be necessary to rotate knob clockwise at back of seat assembly so backstem will slide all the way through slot. Rotate knob counterclockwise to lock backstem in place.
9. Make final chair adjustments following instructions on page 4.

MAINTENANCE

The pneumatic lift is permanently lubricated at the factory and needs no further lubrication. **Never lubricate the pneumatic lift.** This could damage the lift and void your warranty.

Do not remove clip from bottom of lift. Call for immediate assistance if clip is missing or damaged. Clean polyurethane seat and backrest with soap and water. To repair cuts, apply a few drops of quick drying glue in the cut and press the sides together until glue sets.



KEY NO.	DESCRIPTION	QTY	PART NO.
1	Glide	5	09019.00
2	Base	1	03499.16
3	8-1.25mm Fiber Hex Nut	4	01256.00
4	8mm Flat Washer	3	03494.00
5	Stop Ring	1	01754.00
6	Base Knob	1	01750.15
7	Base Cover	1	10202.00
8	Bushing	4	03209.00
9	Small Spacer	2	03496.00
10	Medium Spacer	1	03277.00
11	Large Spacer	1	03276.00
12	Footrest	2	03498.00
13	8-1.25 x 50mm Carriage Bolt	1	03493.00
14	8-1.25 x 120mm Carriage Bolt	2	03278.00
15	Pneumatic Lift	1	01753.50
16	6-1.0 x 16mm Pan Head Screw	4	03713.00
17	Control Assembly	1	09009.06
18	6-1.0 x 26mm Oval Head Screw	2	03714.00
19	Backstem Cover	1	01269.02
20	Backstem	1	10126.00
21	Backing Plate	1	03405.01
22	Backrest	1	03378.06
23	Seat	1	07792.06

OPTIONAL ACCESSORIES	
Loop Armrest Assembly	2067N
Adjustable T-Pad Armrest Assembly	2076N
Caster with Insert	2061N
Braking Caster (brakes when seat is not occupied)	2162N
Reverse Braking Caster (brakes when seat is occupied)	2164N

HOW TO ORDER REPAIR PARTS	
When ordering repair parts or reporting problems, always give the following information:	
NAME OF ITEM Utility Chair	MODEL NUMBER 2036N
PART DESCRIPTION	PART NUMBER
All parts listed may be ordered from your local Lyon Dealer or Lyon Workspace Products, P. O. Box 671, Aurora, IL 60507800/323-0082 or 630/892-8941	

CHAIR ADJUSTMENT INSTRUCTIONS

To maximize ergonomic benefits of this chair, it is essential to understand how controls function and how they affect your posture.

LIFT HEIGHT ADJUSTMENT

Lay chair on its side and loosen base knob (Key No. 6). To increase height of seat, grasp seat and pull away from base. To decrease height of seat, grasp seat and push toward base. Retighten knob. Stand chair back up.

SEAT HEIGHT ADJUSTMENT

Sit centered in seat. Locate front handle under left side of seat and pull up. Ease weight up or down until you have reached the height you want. Typically chair should be high enough so your arms form a 90° angle at the elbow or slightly greater. If adjustment range is not enough, try "Lift Height Adjustment" and then repeat "Seat Height Adjustment."

BACKREST HEIGHT ADJUSTMENT

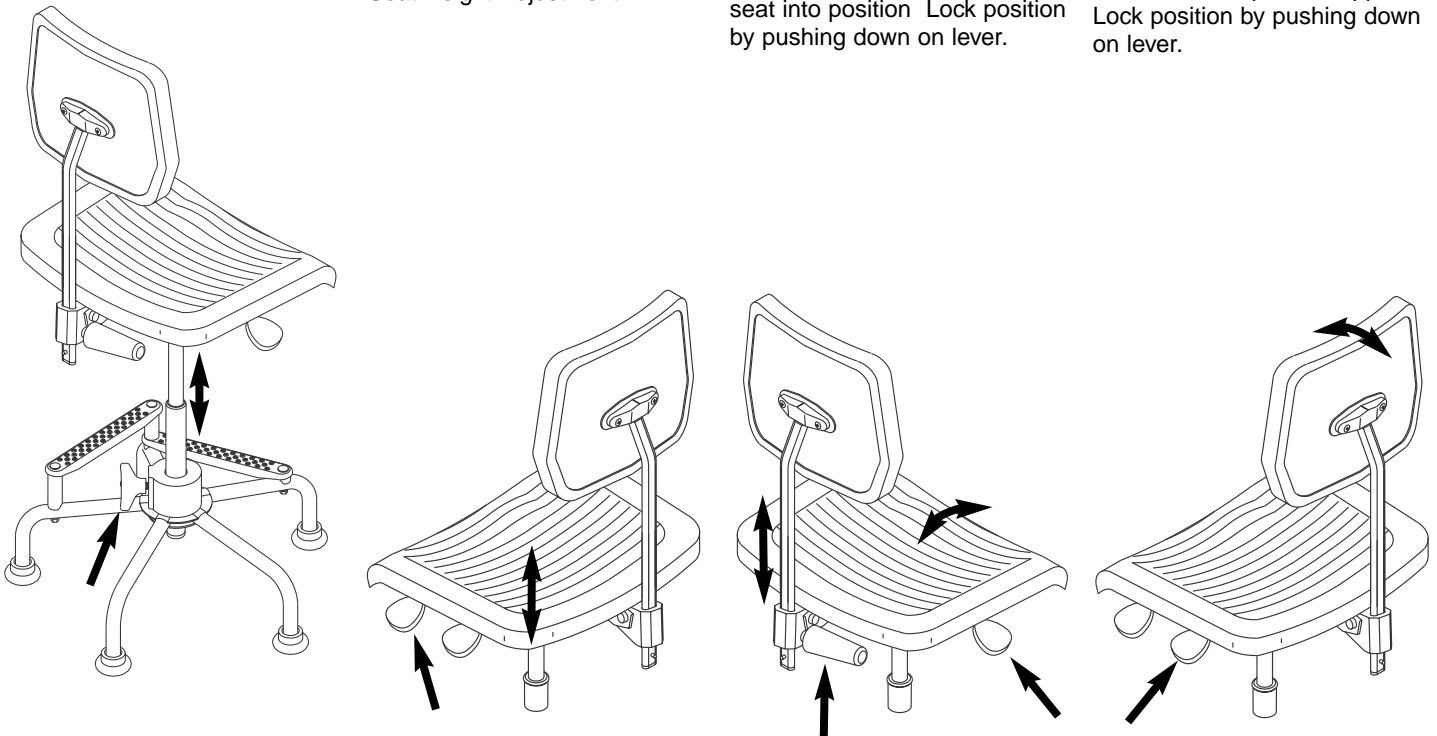
Loosen knob at right rear of seat control. Adjust backrest until curve fits into small of your back. This will reduce pressure on the spinal discs, especially in lumbar area. Retighten knob.

SEAT TILT ADJUSTMENT

Seat tilt handle is the right handle under seat. Lift handle and shift your weight on seat to tilt seat into position. Lock position by pushing down on lever.

BACKREST ANGLE ADJUSTMENT

Backrest angle adjustment handle is handle at rear of left side under seat. Adjustment of backrest is critical for work tasks that require leaning forward. Pull up on handle to release backrest. Adjustment spring in seat control will bring the backrest forward. Lean back on backrest until you find a comfortable depth for support. Lock position by pushing down on lever.



WARRANTY

Lyon Workspace Products warrants all of its products to be free from manufacturing defects for the life of the product when it is used in accordance with manufacturer's specifications and/or operating instructions. The life of the product is ten years of single shift users, five years for two shift users, and two-and-a-half years for three shift users, for users not weighing more than 250 pounds.

During this period Lyon Workspace Products will repair or replace, at its option, any part found upon examination to be defective. Freight, labor or service charges for removal of defective parts and installation of replacement parts are not included. **All parts that are replaced due to wear, misuse or abuse are not covered by the warranty but replacement parts can be purchased from Lyon Workspace Products.**

This warranty applies to the original purchaser, and the purchaser's sole remedy under this warranty is limited to replacement or repair of the product and specifically excludes consequential, incidental or any other damages directly or indirectly resulting from a failure or loss of use of or by Lyon Workspace Products.

To obtain warranty service, a return authorization by Lyon Workspace Products must accompany all returned merchandise.

Contact your Lyon Dealer or Lyon Workspace Products, P.O. Box 671, Aurora, IL 60507, 800/323-0082 or 630/892-8941.