



# OWNER'S MANUAL



## OPERATIONAL STOOL MODEL NO. 2041N

Save This Manual For  
Future Reference

### DESCRIPTION

Lyon Operational Stool is ergonomically engineered for durability, support, comfort and long wear in tough environments. Pneumatic lift allows 8" of adjustment while you are seated. Five-leg base is one-piece construction of aluminum. Five-leg base ensures maximum stability, especially critical at high height ranges. Five high-impact, non-marking, oil-resistant glides withstand harsh environments. Casters are available as an option.

### GENERAL SAFETY INSTRUCTIONS

Do not stand on seat. Stool must be on level surface to ensure proper stability. Only use stool when fully assembled. Periodically check fasteners and tighten securely as needed. Never use stool if it does not perform according to this manual. Warranty may be void if stool is used while damaged. Immediately call and report any problems (see How to Order Repair Parts) and always give the serial number from label under base.

### ASSEMBLY

1. Unpack stool. Check all parts against parts list before beginning assembly. Allow parts to warm to room temperature prior to assembly.
2. Turn base upside down. Place glide into base leg and tap glide down (Key Nos. 1 and 2) using a rubber mallet. Glides should fit snug. Be sure glide is inserted fully into leg to ensure stability of base. Repeat for other four glides. Turn base right side up.

3. Insert pneumatic lift (Key No. 3) into base, tapered end down. Secure the lift assembly by applying a little downward pressure.
4. Place dust cover (Key No. 4) over exposed pneumatic lift.
5. Align hole in bottom of seat (Key No. 6) with top of lift. Push down on seat to insert firmly together. Underneath the seat is a handle (Key No. 5) to adjust height of lift.

### MAINTENANCE

The pneumatic lift is permanently lubricated at the factory and needs no further lubrication. **Never lubricate the pneumatic lift.** This could damage the lift and void your warranty.

Do not remove clip from bottom of lift. Call for immediate assistance if clip is missing or damaged. Clean polyurethane seat and backrest with soap and water. To repair cuts, apply a few drops of quick drying glue in the cut and press the sides together until glue sets.

### HOW TO ORDER REPAIR PARTS

When ordering repair parts or reporting problems, always give the following information:

| NAME OF ITEM      | MODEL NUMBER |
|-------------------|--------------|
| Operational Stool | 2041N        |
| PART DESCRIPTION  | PART NUMBER  |

All parts listed may be ordered from your local Lyon Dealer or Lyon Workspace Products, P. O. Box 671, Aurora, IL 60507 800/323-0082 or 630/892-8941

### WARRANTY

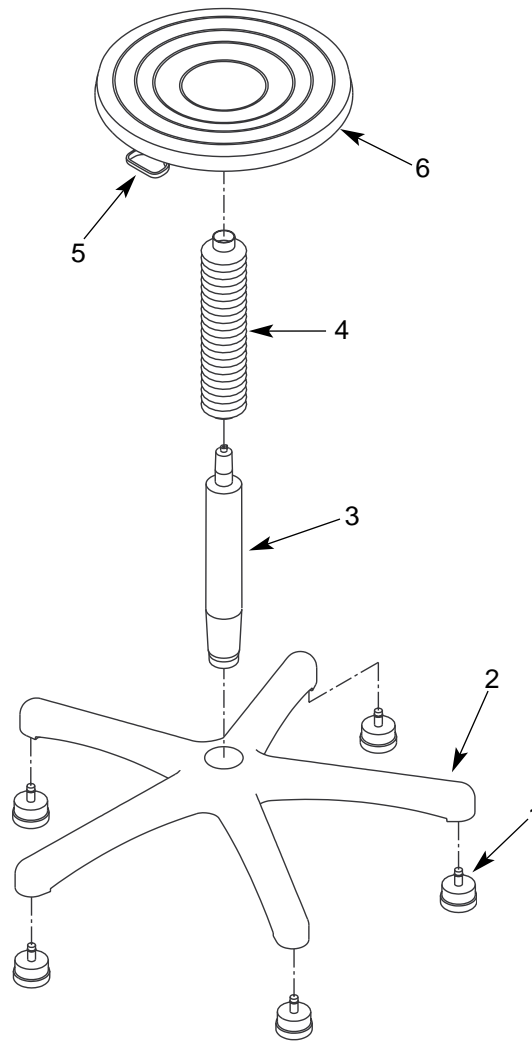
Lyon Workspace Products warrants all of its products to be free from manufacturing defects for the life of the product when it is used in accordance with manufacturer's specifications and/or operating instructions. The life of the product is ten years of single shift users, five years for two shift users, and two-and-a-half years for three shift users, for users not weighing more than 250 pounds.

During this period Lyon Workspace Products will repair or replace, at its option, any part found upon examination to be defective. Freight, labor or service charges for removal of defective parts and installation of replacement parts are not included. **All parts that are replaced due to wear, misuse or abuse are not covered by the warranty but replacement parts can be purchased from Lyon Workspace Products.**

This warranty applies to the original purchaser, and the purchaser's sole remedy under this warranty is limited to replacement or repair of the product and specifically excludes consequential, incidental or any other damages directly or indirectly resulting from a failure or loss of use of or by Lyon Workspace Products.

To obtain warranty service, a return authorization by Lyon Workspace Products must accompany all returned merchandise.

Contact your Lyon Dealer or Lyon Workspace Products, P.O. Box 671, Aurora, IL 60507, 800/323-0082 or 630/892-8941.



| KEY NO. | DESCRIPTION      | QTY | PART NO. |
|---------|------------------|-----|----------|
| 1       | Glide            | 5   | 01545.00 |
| 2       | Base             | 1   | 01800.00 |
| 3       | Pneumatic Lift   | 1   | 03267.52 |
| 4       | Dust Cover       | 1   | 03284.01 |
| 5       | Handle           | 1   | 03374.00 |
| 6       | Seat with Handle | 1   | 03429.06 |

| OPTIONAL ACCESSORIES                                     |       |
|----------------------------------------------------------|-------|
| Carpet Caster                                            | 2063N |
| Hard Floor Caster                                        | 2064N |
| Braking Caster<br>(brakes when seat is not occupied)     | 2163  |
| Reverse Braking Caster<br>(brakes when seat is occupied) | 2165  |