



OWNER'S MANUAL



Save This Manual For
Future Reference

LOW PROFILE INDUSTRIAL SHOP CHAIR MODEL NO. 2090

DESCRIPTION

The Lyon Low Profile Industrial Shop Chair is ergonomically engineered for durability, support, comfort and long wear in tough environments. The pneumatic lift allows 3" of adjustment while you are seated. The five-leg base is one-piece construction of cast aluminum.

The 18" diameter tool tray is made of sturdy 13 gauge steel and epoxy powder coated black. The 3" diameter soft tread casters provide ease of movement on hard surfaces and two casters are equipped with a manual side brake to lock the chair in place.

GENERAL SAFETY INSTRUCTIONS

Do not stand on seat. Chair must be on level surface to ensure proper stability. Only use chair when fully assembled. Periodically check fasteners and tighten securely as needed. Never use chair if it does not perform according to this manual. The warranty may be void if chair is used while damaged. Immediately call and report any problems (see "How to Order Repair Parts") and always give the serial number from label under seat.

ASSEMBLY

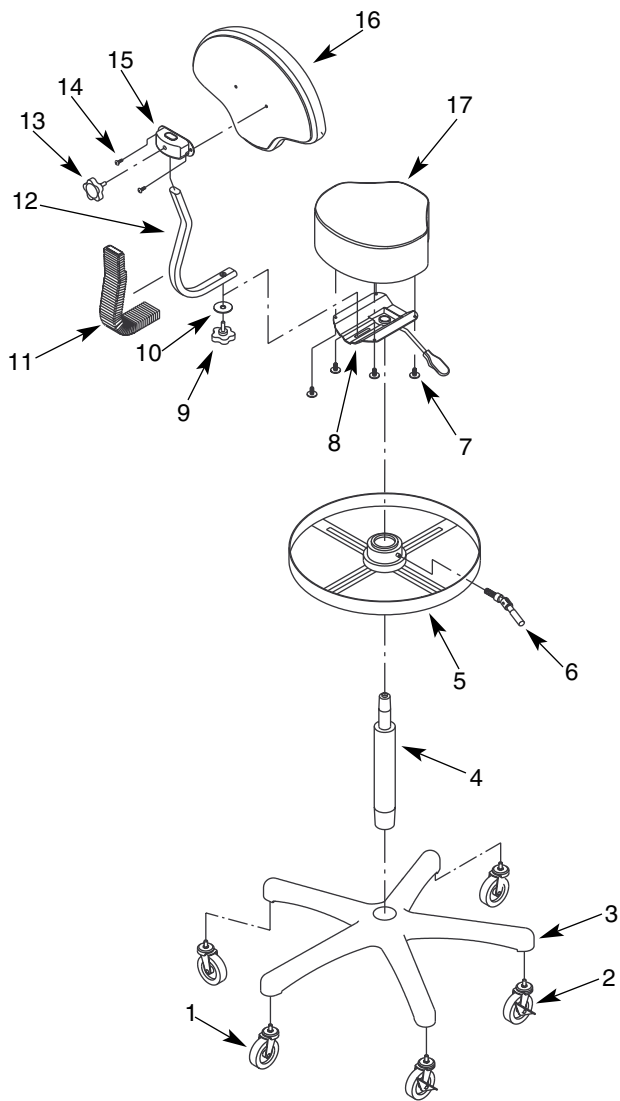
1. Unpack chair. Check all parts against parts list before beginning assembly. Allow parts to warm to room temperature prior to assembly.
2. Place caster (Key Nos. 1 or 2) into base leg and press or tap into base (Key No. 3) using a rubber mallet. Casters should fit snug. Repeat for other four casters.

3. Insert pneumatic lift (Key No. 4) into the base, tapered end down. Secure the lift by applying a little downward pressure (**CAUTION:** When applying downward pressure, avoid plastic button at top of lift as pressure will release pneumatic lift).
4. Slide tray (Key No. 5) onto pneumatic lift, position at desired height. Turn tray knob to secure. **NOTE:** Do not overtighten tray knob. Too much pressure may effect operation of pneumatic lift.
5. Install seat on top of lift. Align hole in control assembly (Key No. 8) with top of lift. Push down on seat (Key No. 17) to insert firmly together. Underneath the seat is a handle to adjust height of lift.
6. Slide back bellow (Key No. 11) over back stem (Key No. 12). Flat portion of bellow should be positioned at top of back stem towards backrest (Key No. 16).
7. Slide back stem (Key No. 12) with backrest into slot at back of control assembly.
8. Place flat washer (Key No. 10) over the threads of the knob (Key No. 9). Thread knob into back stem and tighten to secure back stem in proper position.

MAINTENANCE

The pneumatic lift is permanently lubricated at the factory and needs no further lubrication. **Never lubricate the pneumatic lift.** This could damage the lift and void your warranty.

Do not remove clip from bottom of lift. Call for immediate assistance if clip is missing or damaged. Clean seat and backrest with soap and water.



KEY NO.	DESCRIPTION	QTY	PART NO.
1	Caster	3	01230.00
2	Braking Caster	2	01231.00
3	Base	1	03633.00
4	Pneumatic Lift	1	03622.00
5	Tray	1	01848.00
6	Tray Handle	1	10195.00
7	1/4-20 x 3/4" Hex Head Bolt with Washer	4	03623.00
8	Control Assembly	1	101207.00
9	Knob	1	06622.00
10	5/16" Flat Washer	1	06621.00
11	Back Bellow	1	06623.00
12	Back Stem	1	101208.00
13	Back Bracket Knob	1	06620.02
14	1/4-20 x 3/4" Phillips Pan Washer Head Screw	2	03627.00
15	Back Bracket	1	06620.01
16	Backrest	1	03621.00
17	Seat	1	03620.00

HOW TO ORDER REPAIR PARTS

When ordering repair parts or reporting problems, always give the following information:

NAME OF ITEM	MODEL NUMBER
Low Profile Shop Chair	2090
PART DESCRIPTION	PART NUMBER

All parts listed may be ordered from your local Lyon Dealer or Lyon Workspace Products, LLC, P.O. Box 671, Aurora, IL 60507 800/323-0082 or 630/892-8941

WARRANTY

Lyon Workspace Products warrants all of its products to be free from manufacturing defects for the life of the product when it is used in accordance with manufacturer's specifications and/or operating instructions. The life of the product is ten years of single shift users, five years for two shift users, and two-and-a-half years for three shift users, for users not weighing more than 250 pounds.

During this period Lyon Workspace Products will repair or replace, at its option, any part found upon examination to be defective. Freight, labor or service charges for removal of defective parts and installation of replacement parts are not included. **All parts that are replaced due to wear, misuse or abuse are not covered by the warranty but replacement parts can be purchased from Lyon Workspace Products.**

This warranty applies to the original purchaser, and the purchaser's sole remedy under this warranty is limited to replacement or repair of the product and specifically excludes consequential, incidental or any other damages directly or indirectly resulting from a failure or loss of use of or by Lyon Workspace Products.

To obtain warranty service, a return authorization by Lyon Workspace Products must accompany all returned merchandise.

Contact your Lyon Dealer or Lyon Workspace Products, P.O. Box 671, Aurora, IL 60507, 800/323-0082 or 630/892-8941.