

Save This Manual For  
Future Reference

### DESCRIPTION

The Lyon Sit/Stand is ergonomically engineered. It has been designed for exceptional wear and durability. Lyon Sit/Stand is practical and functional for many uses. Sit/Stands are ideal for workers who cannot actually sit while performing their work. Users can lean against this support device to relieve pressure from being on their feet all day long.

Shape of the base allows it to be positioned close to the work surface. Seat has a return memory swivel through 16° from its central position. Seat can also be tilted down 20°. Seat height is manually adjustable 10".

Seat is made of self-skinning microcellular polyurethane, molded around a steel inner plate. Four strong anti-slip pads offer security on most floors. Large tubular steel base has been engineered for maximum stability. Sit/Stand is easy to pickup and change locations.

### GENERAL SAFETY INSTRUCTIONS

**Always secure seat height and seat tilt locking mechanism before using.**

**Never adjust seat height or seat tilt while seated.**

Only use Sit/Stand when fully assembled. Sit/Stand must be on level surface to ensure proper stability. Do not attempt to use as a chair. Your feet should always be in contact with the ground. Always position your weight centered on the seat. Do not lean against the edges. Entire base of Sit/Stand must always be in contact with floor. Do not attempt to rock on Sit/Stand. Periodically check fasteners and tighten securely if needed. Never use Sit/Stand if it does not perform according to this manual. Warranty may be void if used while in disrepair. Immediately call and report any problems (see reverse on How to Order Repair Parts) and always give the code date information from the label under the seat assembly.

### ASSEMBLY

1. Unpack Sit/Stand. Check all parts against Parts List before beginning assembly.
2. Place base right-side up on a flat surface or workbench. Insert support column (Key No. 12) into groove in base. Bumper stops (Key No. 11) must be towards rear of sit stand. Align the holes in support column with holes in base (Key No. 8). Insert bolts (Key No. 9) from outside and fasten down from inside with fiber hex nuts (Key No. 10) to secure to base.
3. Slide shrouds (Key No. 13) down column to cover top of base. Shroud should be positioned over hex nuts.
4. Place base on the floor. Slide seat assembly (Key No. 14) onto support column. Push down front of seat to lock seat position.

5. Grooves in top of right and left sleeves (Key Nos. 16 and 21) should be aligned with tabs of handle cover. Be sure the seat is facing the correct direction **before** inserting the handle and handle cover

**WARNING:** It is important the tabs in handle engage in column to ensure that handle locks into place.

6. Insert handle, handle cover and sleeves (Key Nos. 16, 17, 18 and 21) onto top of support column. Tap handle into place.

### MAINTENANCE

Clean polyurethane seat with soap and water. To repair small cuts in polyurethane, apply a few drops of quick drying glue in the cut and press sides together until glue sets.

Periodically check fasteners for tightness. Replace pads (Key Nos. 2 and 5) if worn.

### ERGONOMIC FEATURES

To maximize the ergonomic benefits of the Sit/Stand, it is essential to understand how adjustments effect your posture.

**CAUTION:** Make sure you grasp seat handle (Key No. 19) before lifting front of seat and adjusting seat height to prevent pinching of your fingers.

1. Lift seat from under front center of seat to unlock it. Seat assembly can now slide freely up and down the support column. Seat assembly is adjustable in height from 22<sup>3</sup>/<sub>4</sub>" to 32<sup>3</sup>/<sub>4</sub>". Position seat assembly at a comfortable height in relation to your body size and the height of the work surface. Seat should be high enough for you to rest your weight on while maintaining a slight bend in the knees. Grasp seat handle (Key No. 19) to maintain desired seat height. Push front of seat down completely to lock seat height.
2. Raise handle under right side of seat to tilt seat into posi-



Grasp front of seat with one hand and handle at back of seat with other hand. Lift seat from under front center of seat to unlock it. Position seat assembly at desired height.



Grasp seat handle to maintain desired seat height. Push front of seat down COMPLETELY to lock seat height.

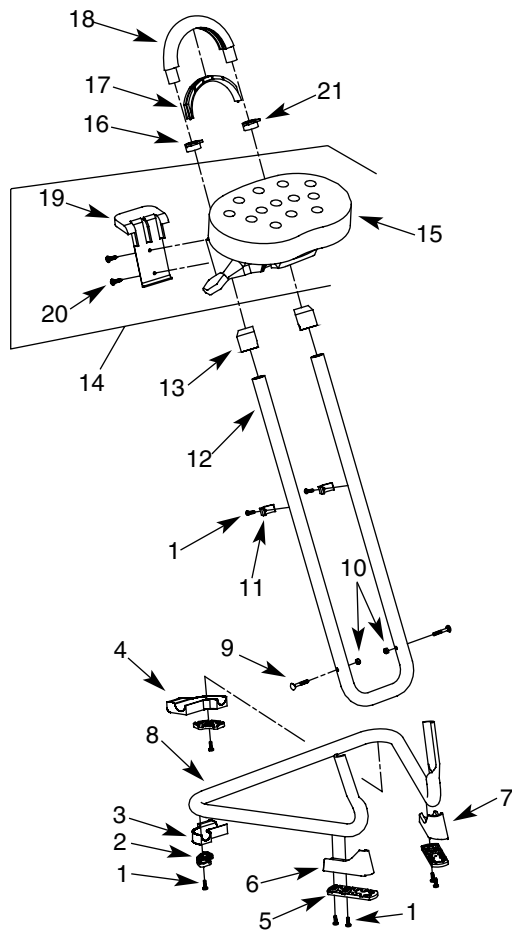
tion. Always tilt seat forward to accommodate a leaning posture. Lower handle to lock seat at desired angle.

3. Padded seat is ergonomically contoured and textured for



**Raise handle under right side of seat and tilt seat to desired angle.**

**Lower handle to lock seat at desired angle.**



breathability. Position your weight on center of the seat. Allow seat to swivel with your body when reaching from side to side.

#### HOW TO ORDER REPAIR PARTS

When ordering repair parts or reporting problems, always give the following information:

NAME OF ITEM	MODEL NUMBER
Sit/Stand	2092N
PART DESCRIPTION	PART NUMBER

All parts listed may be ordered from your local Lyon Dealer or Lyon Workspace Products, LLC, P.O. Box 671, Aurora, IL 60507 800/323-0082 or 630/892-8941

KEY NO.	DESCRIPTION	QTY	PART NO.
1	4.8-1.7 x 18mm Screw	10	03610.00
2	Rear Pad	2	03601.00
3	Right Rear Pad Holder with Roller	1	03602.01
4	Left Rear Pad Holder with Roller	1	03602.02
5	Front Pad	2	03603.00
6	Right Front Pad Holder	1	03604.00
7	Left Front Pad Holder	1	03605.00
8	Base	1	03606.01
9	6-1.0x 40mm Carriage Bolt	2	03508.01
10	6-1.0mm Fiber Hex Nut	2	03607.00
11	Bumper Stop	2	03609.00
12	Support Column	1	03617.01
13	Shroud	2	03619.00
14	* Seat Assembly (with Mechanism)	1	03618.01
15	Seat Only	1	03612.00
16	Right Sleeve	1	03675.00
17	Handle Cover	1	03614.00
18	Handle	1	03615.00
19	Seat Handle	1	03659.00
20	6-1.9 x 13mm Screw	2	03658.00
21	Left Sleeve	1	03674.00

**NOTE:** Tabs of handle (Key No. 18) must be depressed to remove from column. Use a small screwdriver to depress tabs through holes in back of column (Key No. 12).

(\*) Includes Key Nos. 15, 19 and 20

#### WARRANTY

Lyon Workspace Products warrants all of its products to be free from manufacturing defects for the life of the product when it is used in accordance with manufacturer's specifications and/or operating instructions. The life of the product is ten years of single shift users, five years for two shift users, and two-and-a-half years for three shift users, for users not weighing more than 250 pounds.

During this period Lyon Workspace Products will repair or replace, at its option, any part found upon examination to be defective. Freight, labor or service charges for removal of defective parts and installation of replacement parts are not included. **All parts that are replaced due to wear, misuse or abuse are not covered by the warranty but replacement parts can be purchased from Lyon Workspace Products.**

This warranty applies to the original purchaser, and the purchaser's sole remedy under this warranty is limited to replacement or repair of the product and specifically excludes consequential, incidental or any other damages directly or indirectly resulting from a failure or loss of use of or by Lyon Workspace Products.

To obtain warranty service, a return authorization by Lyon Workspace Products must accompany all returned merchandise.

**Contact your Lyon Dealer or Lyon Workspace Products, P.O. Box 671, Aurora, IL 60507, 800/323-0082 or 630/892-8941.**