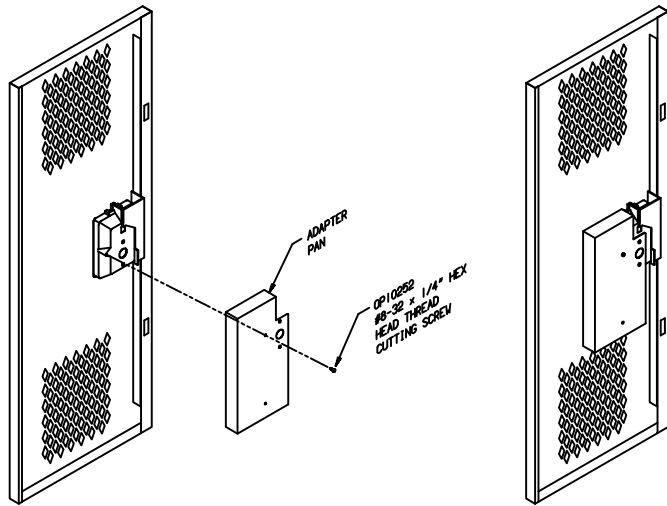
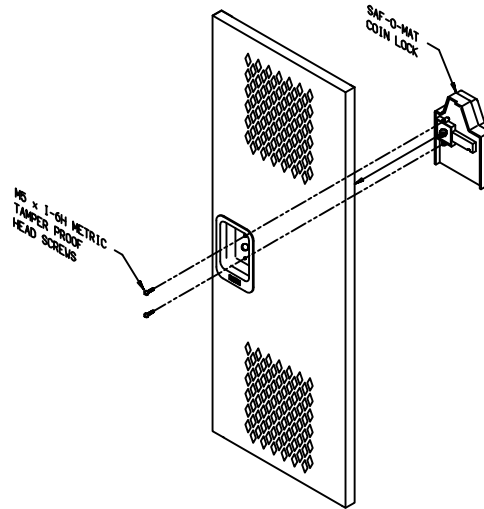


OPERATION #1

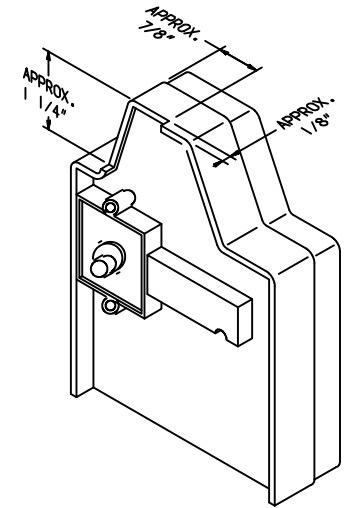


OPERATION #2

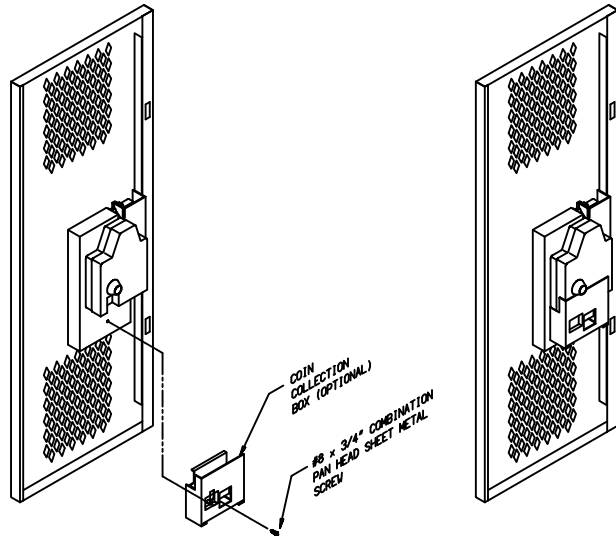


DETAIL OF CUTOUT
ON SAF-O-MAT LOCK

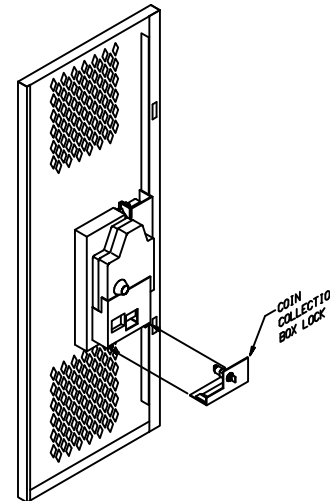
NOTE:
LOCK MUST BE
NOTCHED TO CLEAR
RECESSED HANDLE
LIFT.



OPERATION #3



OPERATION #4



INSTRUCTIONS:

- 1.) ATTACH THE ADAPTER PAN TO THE RECESSED HANDLE USING (1) #8-32 x 1/4" THREAD CUTTING SCREW. (SEE OPERATION #1)
- 2.) INSTALL THE SAF-O-MAT LOCK TO THE RECESSED HANDLE AND ADAPTER PAN USING THE (2) M5 x 1-6H METRIC TAMPER-PROOF SCREWS (SEE OPERATION #2)
- (OPTIONAL)
FOLLOW THE REMAINING STEPS ONLY IF ADDING THE COIN COLLECTION BOX.
- 4.) DETACH THE COLLECTION BOX LOCK FROM COLLECTION BOX WITH THE KEY.
- 5.) ATTACH THE COLLECTION BOX TO THE ADAPTER PAN USING (1) #8X 3/4" SHEET METAL SCREW. (SEE OPERATION #3)
- 6.) REINSTALL THE COLLECTION BOX LOCK WITH THE KEY (SEE OPERATION #4)

HARDWARE

(1) #8-32 x 1/4" HEX HEAD
THREAD CUTTING SCREW
(SUPPLIED BY LYON)

(1) #8 x 3/4" PAN HEAD
SHEET METAL SCREW
(SUPPLIED BY LYON)

(2) M5 x 1-6H METRIC
TAMPER-PROOF HEAD
MACHINE SCREW
(SUPPLIED W/ LOCK)

ASSEMBLY INSTRUCTIONS FOR
ATTACHING A SAF-O-MAT
COIN LOCK TO DOORS WITH
RECESSED HANDLES

LYON WORKSPACE PRODUCTS, INC.
P.O. BOX 671 AURORA, IL 60507

REVISIONS
COW C-11278-01

4301-DA