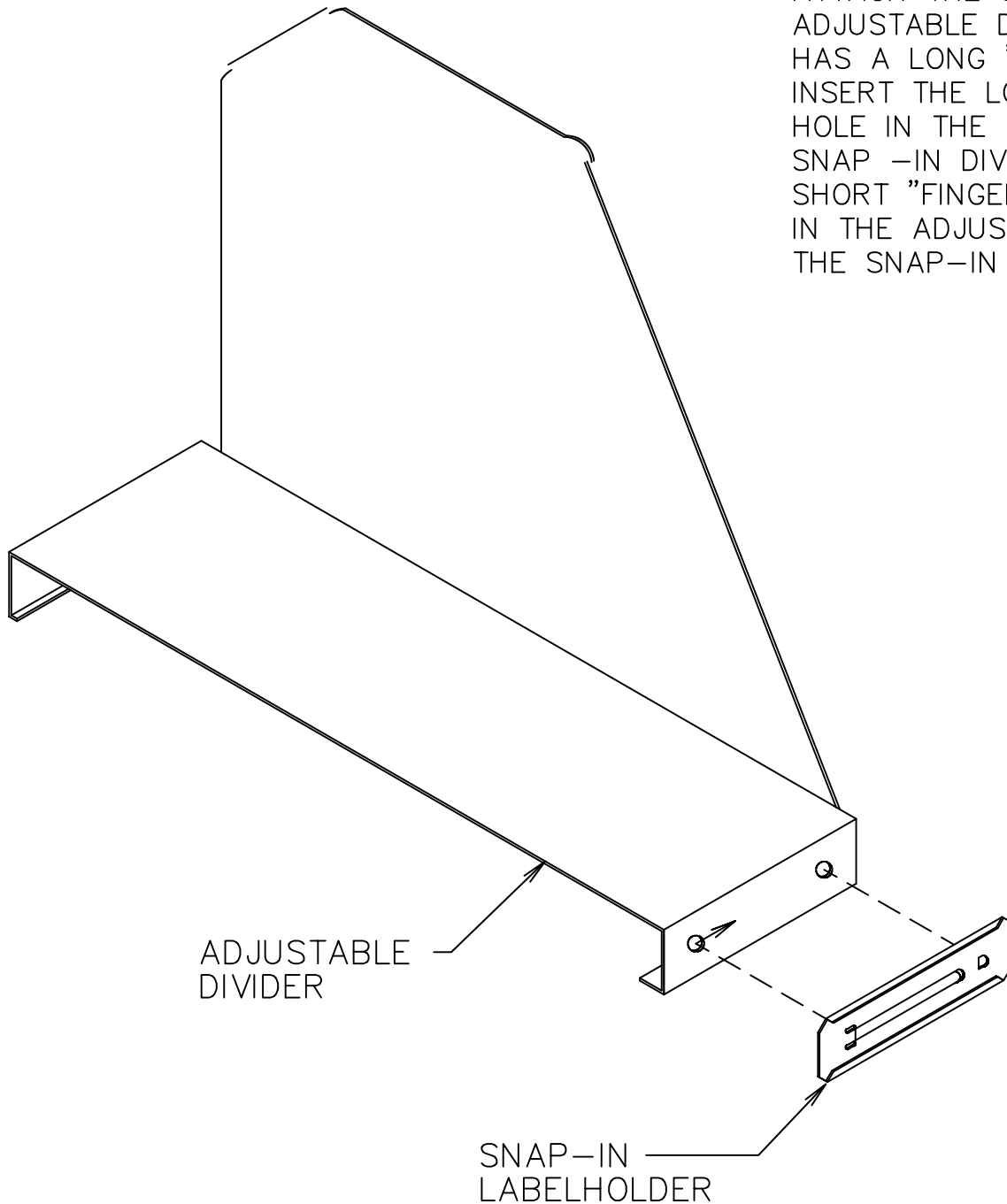


ATTACH THE SNAP-IN LABELHOLDER TO THE ADJUSTABLE DIVIDER. THE SNAP-IN LABELHOLDER HAS A LONG "FINGER" AND A SHORT "FINGER". INSERT THE LONG "FINGER" THRU THE LEFT SIDE HOLE IN THE ADJUSTABLE DIVIDER AND FORCE THE SNAP -IN DIVIDER TO THE RIGHT SO THAT THE SHORT "FINGER" SNAPS INTO THE RIGHT SIDE HOLE IN THE ADJUSTABLE DIVIDER. MAKE CERTAIN THAT THE SNAP-IN LABELHOLDER IS SECURE.



## ADJUSTABLE DIVIDER ASSEMBLY

DRG. NO. 5169-DA		DATE MAY 08,1989	
SUBMITTED BY <b>LYON</b> LYON WORKSPACE PRODUCTS, INC.		P.O. BOX 671 AURORA, ILL. 60507	
DRAWN BY	RICH	REVISED DATES	
REVISED BY			
CHECKED BY		ORDER NO.	