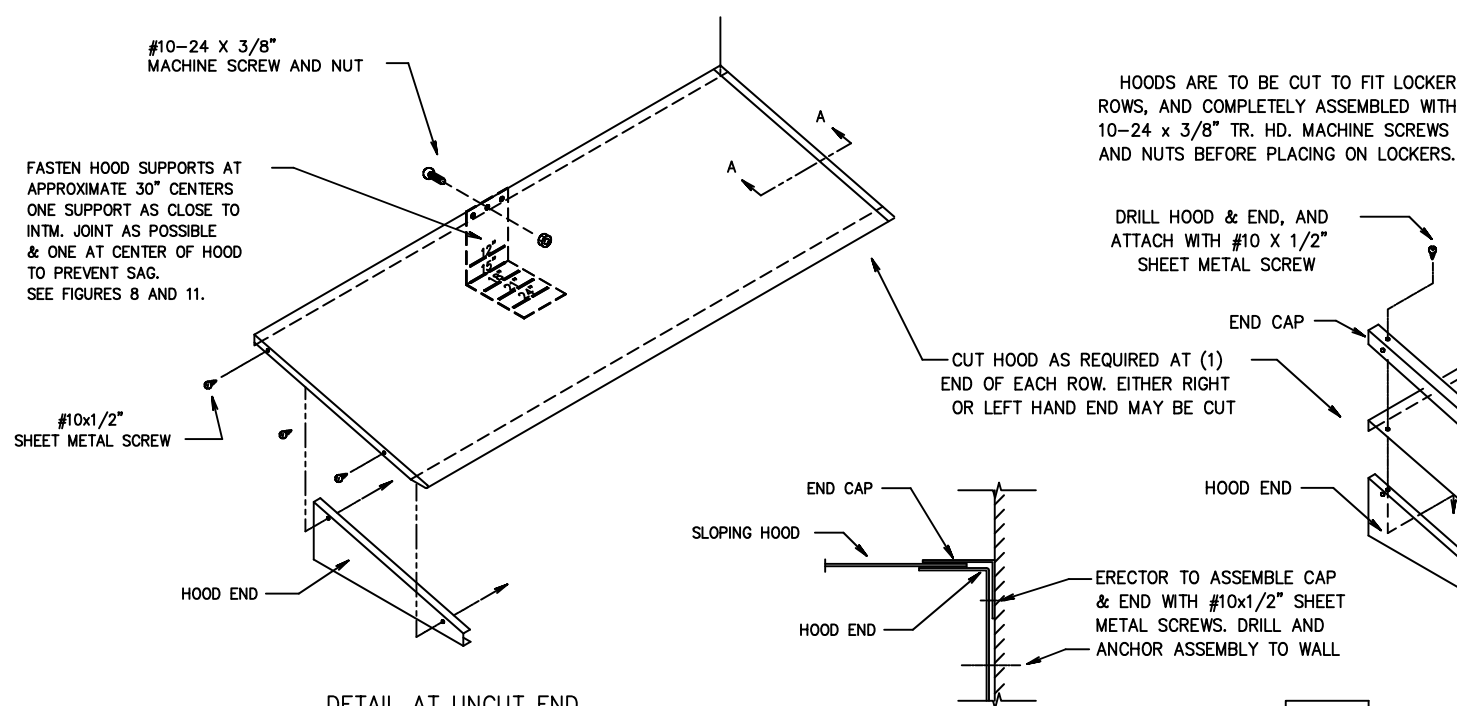
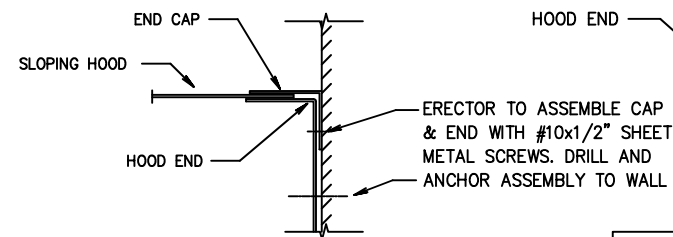


FASTEN HOOD ENDS AND SUPPORT ANGLES
FIG. 1



DETAIL AT UNCUT END
FIGURE 2



SECTION A-A
AT END WALL LOCATIONS
FIGURE 3

HOODS ARE TO BE CUT TO FIT LOCKER ROWS, AND COMPLETELY ASSEMBLED WITH 10-24 x 3/8" TR. HD. MACHINE SCREWS AND NUTS BEFORE PLACING ON LOCKERS.

DRILL HOOD & END, AND ATTACH WITH #10 X 1/2" SHEET METAL SCREW

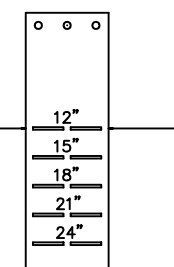
CUT HOOD AS REQUIRED AT (1) END OF EACH ROW. EITHER RIGHT OR LEFT HAND END MAY BE CUT

ERECTOR TO ASSEMBLE CAP & END WITH #10x1/2" SHEET METAL SCREWS. DRILL AND ANCHOR ASSEMBLY TO WALL

DETAIL AT EXPOSED CUT END MULTIPLE HOODS
FIGURE 4

NOTE:

ALL HOODS ARE 60" LONG, THEY ARE TO EXTEND OVER THE ENTIRE LENGTH OF THE ROWS, INCLUDING FRONT FILLERS. HOODS ARE NOT TO EXTEND INTO CORNERS. AT CORNERS USE SLOPING TOP CORNER FILLERS (END CAPS ARE NOT REQUIRED WHERE CORNER FILLERS ARE LOCATED).



DETERMINE HEIGHT OF HOOD SUPPORT NEEDED, AND BEND IT AT THE MARK MATCHING THE DEPTH OF LOCKER IT IS BEING USED ON. FOR EXAMPLE, A HOOD SUPPORT FOR 12" DEEP LOCKERS WOULD BE BENT AT THE ARROWS AS SHOWN BELOW.

FIG. 11

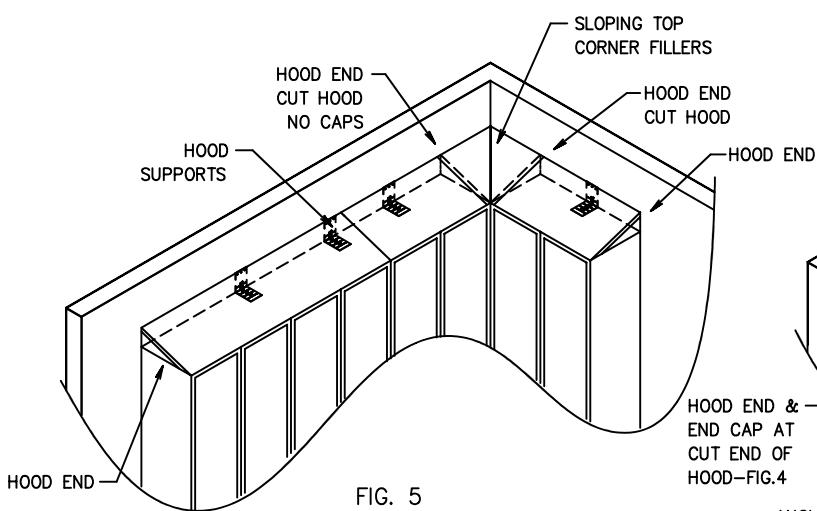
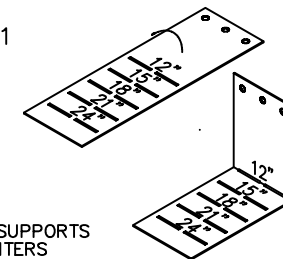


FIG. 5

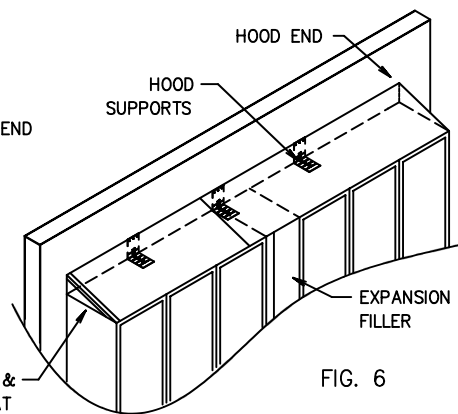


FIG. 6

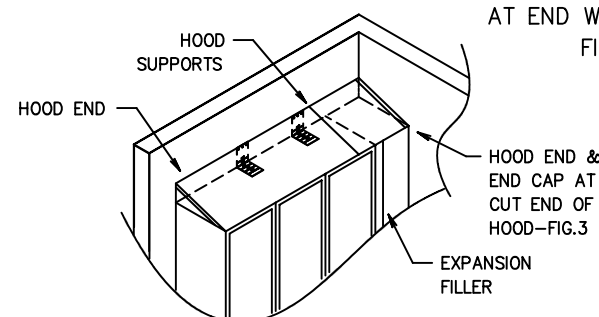


FIG. 7

HOOD END & END CAP AT CUT END OF HOOD-FIG.4

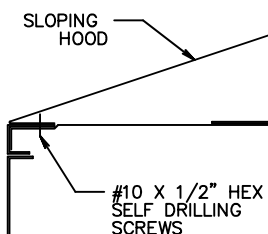
ERECTOR TO DRILL HOOD SUPPORT ANGLES AND ATTACH SLOPING HOOD WITH #10 x 1/2" SHEET METAL SCREWS.

1" X 1 1/2" 16 GA. SUPPORT ANGLE FURNISHED IN 72" LENGTHS. ERECTOR TO CUT SUPPORT ANGLES AS REQUIRED AND FURNISH FITTINGS FOR ANCHORING TO WALLS.

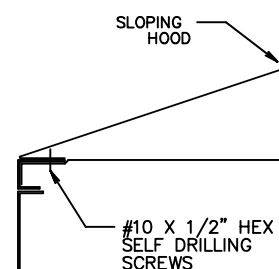
NOTE: BACK FLANGE OF HOOD ENDS BOLT TOGETHER.

USE HOOD SUPPORTS ON 30" CENTERS ALTERNATING DIRECTION OF BASE. SEE FIG.2, FIG. 8 AND FIG. 11.

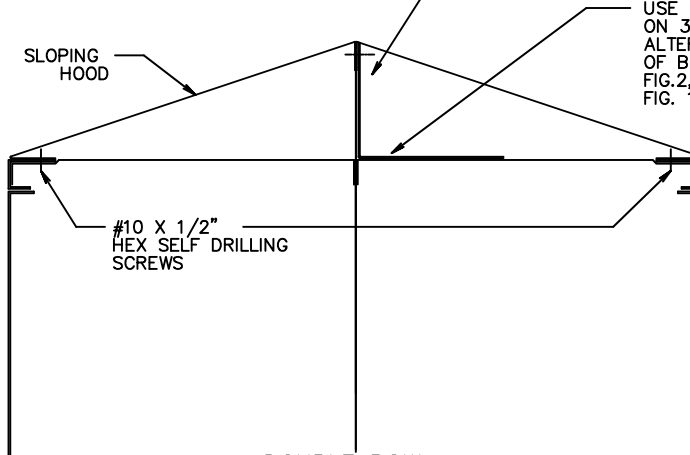
FASTEN HOOD SUPPORT THROUGH UPPER FLANGE OF LOCKER HOOD AFTER BENDING TO APPROPRIATE HEIGHT. SEE FIGURE 11.



SINGLE ROW WITHOUT WALL ANGLE
FIGURE 8



SINGLE ROW WITH WALL ANGLE
FIGURE 9



DOUBLE ROW
FIGURE 10

1. ATTACH/ANCHOR HOOD ENDS TO THE LOCKER OR TO THE WALL (SEE FIGURES 1, 3, 4, AND 8.)
2. ATTACH HOOD SUPPORTS TO HOODS ON APPROXIMATE 30" CENTERS. (SEE FIGURES 2, 8, AND 11.)
3. COMPLETELY ASSEMBLE AND CUT TO FIT HOODS BEFORE ATTACHING TO LOCKERS. (SEE FIGURES 2, 3 AND 4.)
4. PLACE HOOD ASSEMBLY ON THE LOCKERS. (SEE FIGURES 5, 6, 7, 8, 9 AND 10.) ATTACH UNCUT END. (SEE FIGURE 2.) DRILL HOOD AND END, AND ATTACH THE END CAP AT CUT END. (SEE FIGURE 4.) USE A 5/16" SOCKET WITH SCREW GUN TO DRIVE TEK SCREW THROUGH LOWER HOOD FLANGE, OR DRILL A 9/64" DIAMETER PILOT HOLE AND USE SOCKET WRENCH OR NUTDRIVER.
5. FIGURES 5, 6, AND 7, SHOW THREE EXAMPLE SINGLE ROW LAYOUTS.

ASSEMBLY INSTRUCTIONS
FOR FIELD CUT
SLOPING HOODS

LYON WORKSPACE PRODUCTS
P.O. BOX 671 AURORA, ILL. 60507

REVISIONS
03-28-96
ED# E-03199-01
07-27-99
ED# E-07289-01

6221-CA