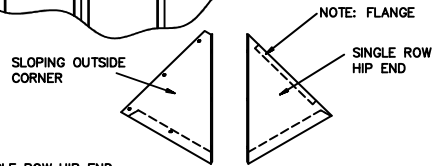
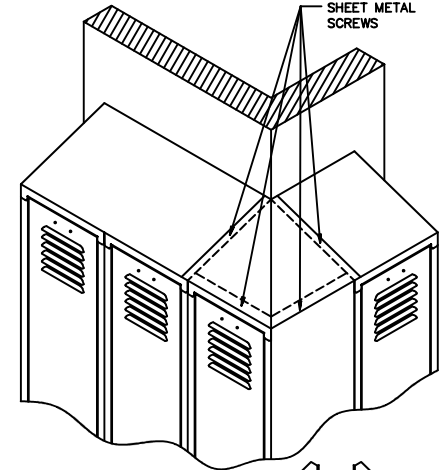
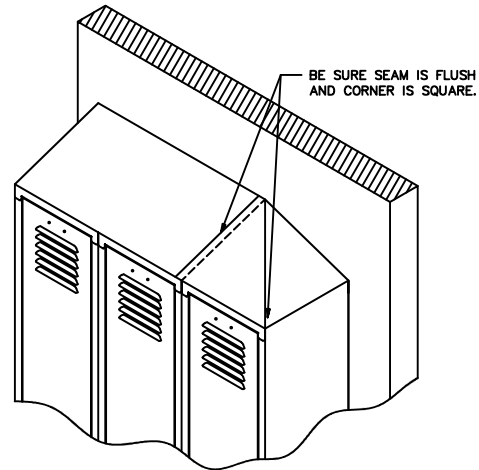
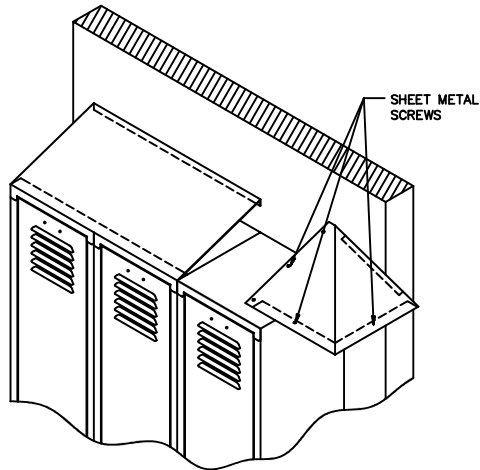
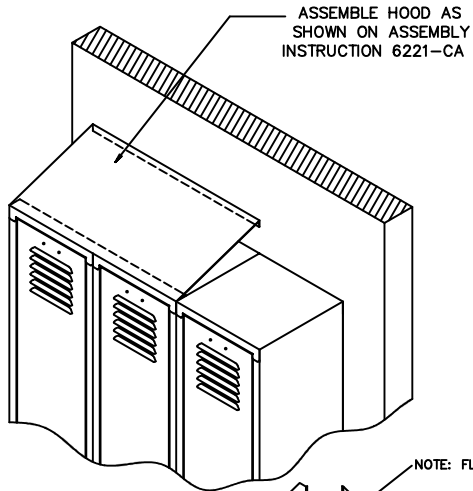


SINGLE ROW APPLICATIONS

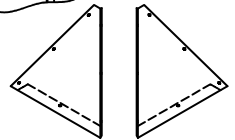


PLACE THE HIP END ASSEMBLY ON TOP OF THE LOCKER RUN. ATTACH THE HIP END ASSEMBLY TO THE LOCKER AND SLOPING HOOD WITH SHEET METAL SCREWS.

NOTE: LOCKER TOP MUST BE FIELD DRILLED FOR SHEET METAL SCREW ATTACHMENT THROUGH BOTTOM FLANGE OF HIP END.

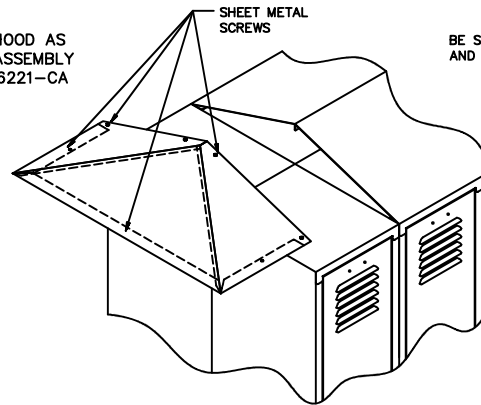
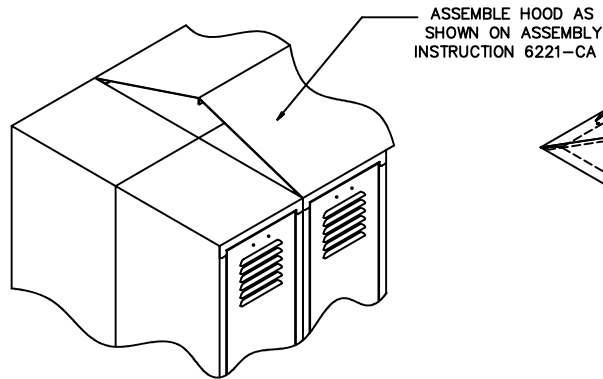
FINISHED APPEARANCE

EXPOSED OUTSIDE CORNER IS SIMILAR TO SINGLE ROW HIP END. TWO SLOPING OUTSIDE CORNERS ARE USED INSTEAD OF ONE. ATTACHMENT IS SIMILAR.

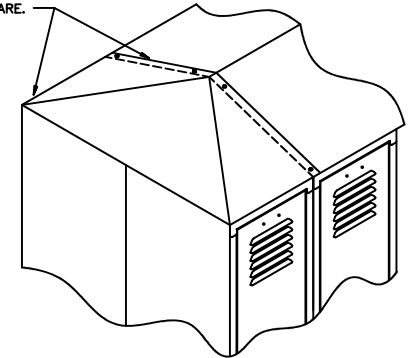


FOR SINGLE ROW HIP END FASTEN THE SLOPING OUTSIDE CORNER AND THE HIP END TOGETHER WITH #10-24 x 3/8" BOLTS AND HEX NUTS.

DOUBLE ROW APPLICATIONS



BE SURE SEAMS ARE FLUSH AND CORNERS ARE SQUARE.

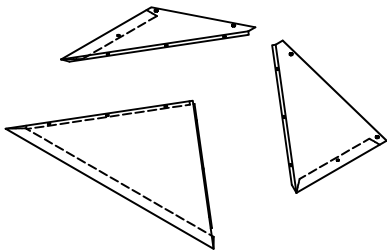


FINISHED APPEARANCE

PLACE THE HIP END ASSEMBLY ON TOP OF THE LOCKER RUN. ATTACH THE HIP END ASSEMBLY TO THE LOCKERS AND SLOPING HOODS WITH SHEET METAL SCREWS.

NOTE: LOCKER TOPS MUST BE FIELD DRILLED FOR SHEET METAL SCREW ATTACHMENT THROUGH BOTTOM FLANGE OF HIP END.

FOR DOUBLE ROW HIP END FASTEN TWO SLOPING OUTSIDE CORNERS TO THE DOUBLE ROW HIP END WITH #10-24 x 3/8" BOLTS AND HEX NUTS.



ASSEMBLY INSTRUCTIONS FOR LOCKER HOODS WITH HIPPED ENDS

LYON WORKSPACE PRODUCTS, INC.
P.O. BOX 671 AURORA, IL 60507

REVISIONS: 02-11-97 DW E-1007-6

6224-CA