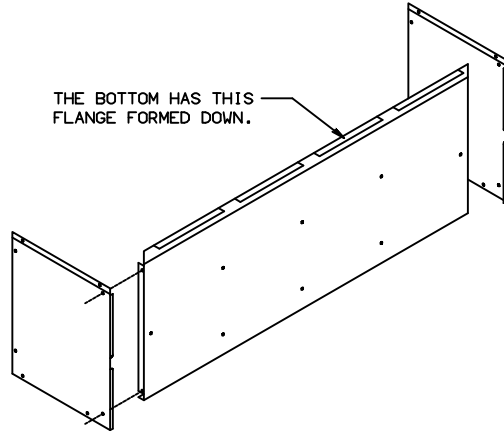


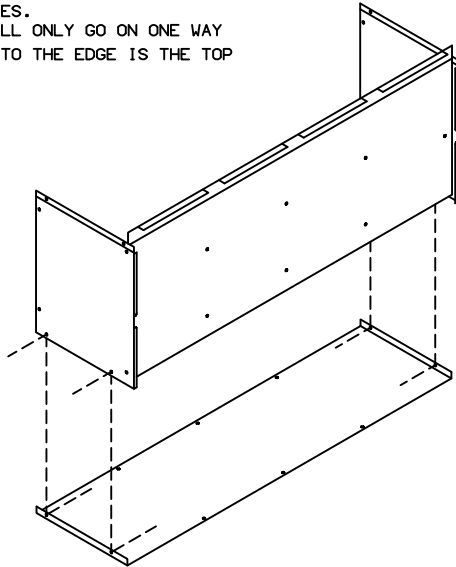
STEP 1

BOLT SIDE SHEETS TO BOTTOM WITH #10-24x3/8 SCREWS & NUTS.
NOTE: THE SIDE SHEETS ARE RIGHT AND LEFT HANDED.



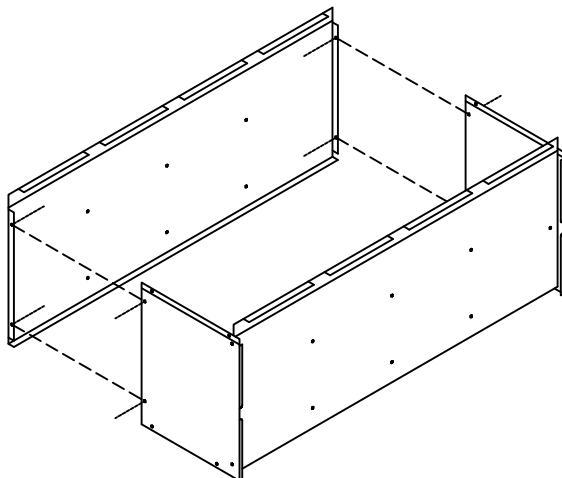
STEP 2

BOLT BACK TO SIDE SHEETS WITH #10-24x3/8" SCREWS AND NUTS. FLANGE ON THE BACK GO INSIDE OF THE SIDES.
NOTE: THE BACK WILL ONLY GO ON ONE WAY THE HOLE CLOSEST TO THE EDGE IS THE TOP OF THE BACK.



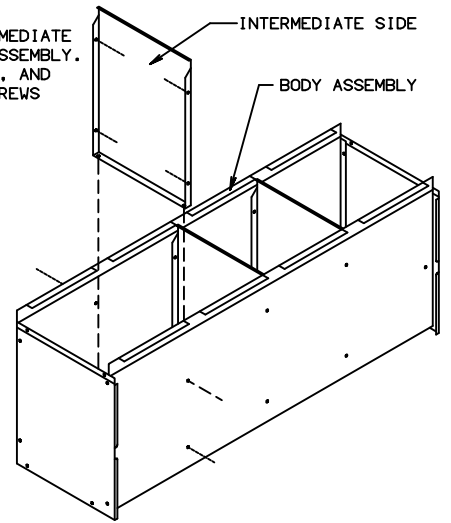
STEP 3

BOLT THE TOP TO THE SIDES WITH #10-24x3/8" SCREWS AND NUTS. THE TOP GOES INSIDE OF THE SIDES AND BACK.



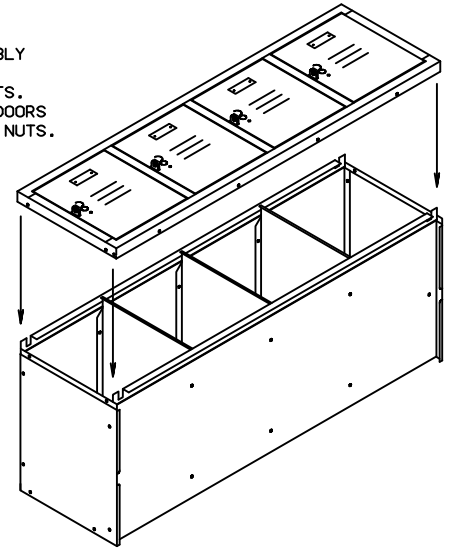
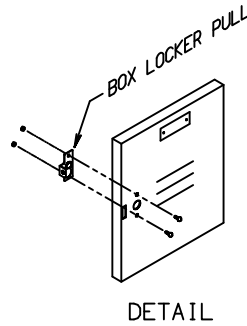
STEP 4

INSTALL THE THREE INTERMEDIATE SIDES INSIDE THE BODY ASSEMBLY. BOLT TO THE TOP, BOTTOM, AND BACK WITH #10-24x3/8 SCREWS AND NUTS.



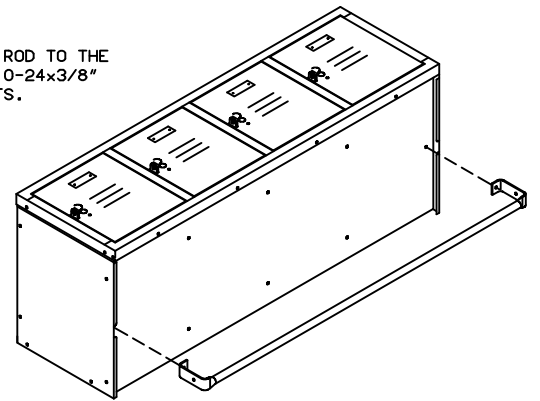
STEP 5

BOLT THE DOOR FRONT ASSEMBLY TO THE BODY ASSEMBLY WITH #10-24x3/8" SCREWS AND NUTS. BOLT BOX LOCKER PULLS TO DOORS WITH #10-24x3/8" SCREWS & NUTS.

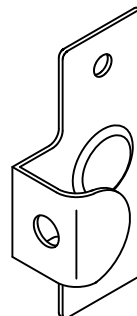


STEP 6

BOLT THE COAT ROD TO THE BOTTOM WITH #10-24x3/8" SCREWS AND NUTS.



HARDWARE



BOX LOCKER PULL / LOCK HOLE FILLER

ASSEMBLY INSTRUCTIONS FOR
K.D. HORIZONTAL LOCKERACK

LYON LYON WORKSPACE PRODUCTS, INC.
P.O. BOX 671 AURORA, IL 60507

REVISIONS
NEW DRAWING
7-26-96

9216-AA