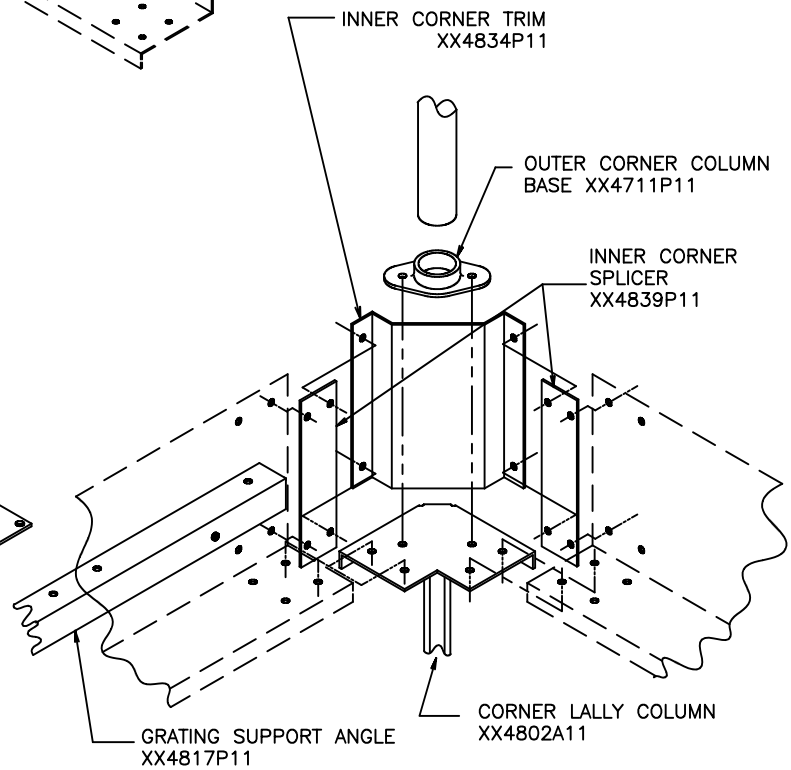


BILL OF MATERIALS		
QTY	DESCRIPTION	XX9321
1	CORNER LALLY COLUMN	XX4802A11
1	KICK PLATE SUPPORT	XX4806P13
1	GRATING SUPPORT ANGLE	XX4817P11
2	38 1/2" GALVARAIL PIPE	NF9P120914
1	46 3/4" GALVARAIL PIPE	NF9P12095

BILL OF MATERIALS		
QTY	DESCRIPTION	XX9323
1	INNER CORNER TRIM	XX4834P11
2	INNER CORNER SPLICER	XX4839P11
2	END AISLE BRACKET	DD4715P13
4	5/16-18 X 2 3/8 "U" BOLT	NFOP10353
2	1 1/4" I.D. PIPE ELBOW	NFOP10358
1	1 1/4" I.D. PIPE CAP	NFOP10431



SHEET 1 OF 1

**MISSING PARTS OR IN NEED  
OF  
ASSEMBLY ASSISTANCE?**

Contact us direct for fast friendly service (800) 433-8488

ASSEMBLY INSTRUCTIONS  
FOR LYON TWO LEVEL  
8000 SERIES SHELVING

**9229**  
INNER CORNER HANDRAIL