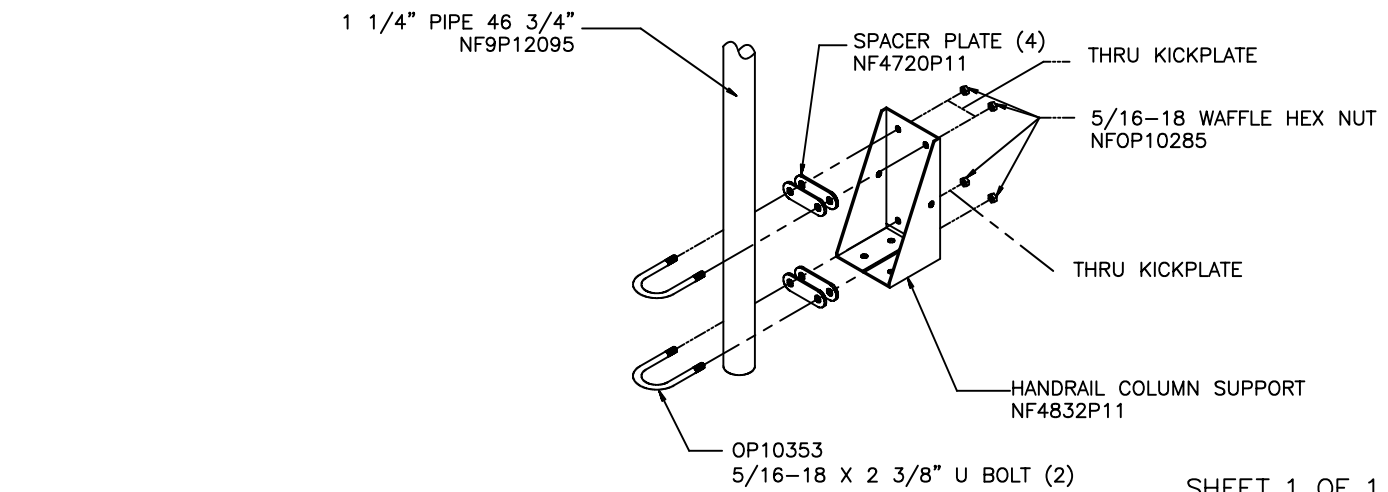


BILL OF MATERIALS		
QTY	DESCRIPTION	XX9231
1	HANDRAIL COLUMN SUPPORT	DD4832P11
1	GALVARAIL PIPE 46 3/4"	NF9P12095
8	NUT 5/16-18 WAFFLE HEX	NFOP10285
4	5/16-18 X 3/4 HHCS	NFOP10287
2	1 1/4 PIPE CROSS 110	NFOP10351
2	5/16-18 X 2 3/8 "U" BOLT	NFOP10353
1	PIPE CAP (COLOR BLUE)	NFOP10431
4	SPACER PLATE-ZINC PLATED	NF4720P11



SHEET 1 OF 1

**MISSING PARTS OR IN NEED
OF
ASSEMBLY ASSISTANCE?**

Contact us direct for fast friendly service (800) 433-8488

Int'l calls (630) 892-8941 | WEB: WWW.LYONWORKSPACE.COM | Fax (800) 367-6681

ASSEMBLY INSTRUCTIONS
FOR LYON TWO LEVEL
8000 SERIES SHELVING



9231

HANDRAIL INTERMEDIATE COLUMN