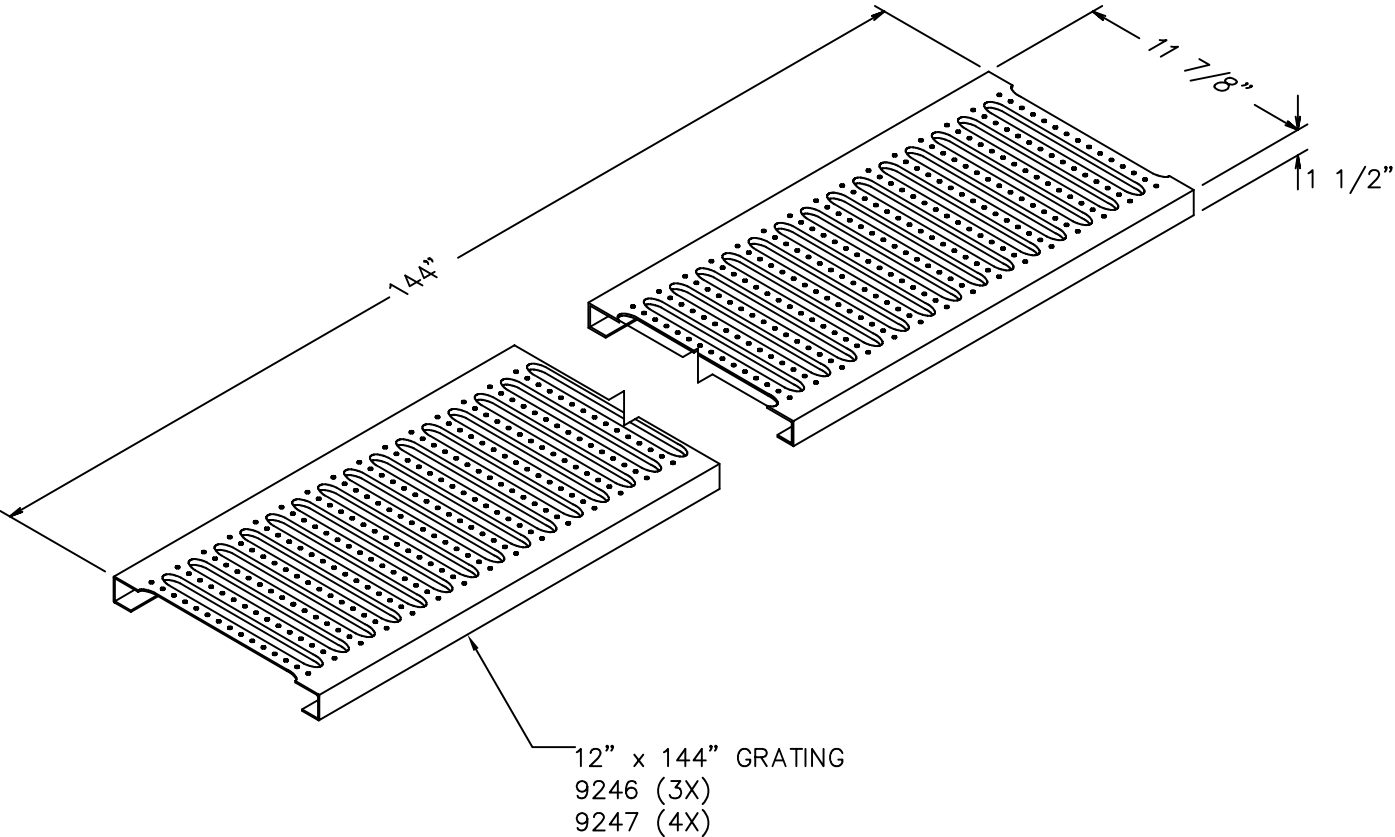


BILL OF MATERIALS		
QTY	DESCRIPTION	NF9246
3	GRATING 12 X 144"	NF4766P11

BILL OF MATERIALS		
QTY	DESCRIPTION	NF9247
4	GRATING 12 X 144	NF4766P11



SHEET 1 OF 1

**MISSING PARTS OR IN NEED
OF
ASSEMBLY ASSISTANCE?**

Contact us direct for fast friendly service (800) 433-8488

Int'l calls (630) 892-8941 | WEB: WWW.LYONWORKSPACE.COM | Fax (800) 367-6681

ASSEMBLY INSTRUCTIONS
FOR LYON TWO LEVEL
8000 SERIES SHELVING



9246
BULK GRATING