

## Guide Installation

- 1) INSERT THE REAR TANGS OF ONE (1) LEFT HAND AND ONE (1) RIGHT HAND DRAWER GUIDE IN THE REAR FRAME SLOTS (THIS MAY REQUIRE A TAP WITH A HAMMER). THEIR FRONT DIMPLES FIT INTO THE FRONT FRAME HOLES AND ARE ATTACHED WITH A 1/4-20 x 3/4 FLAT HEAD SCREW. DRAWER GUIDE HANDS ARE MARKED AND ROLLER DEPRESSIONS ARE ON THE BOTTOM WHEN PROPERLY INSTALLED.

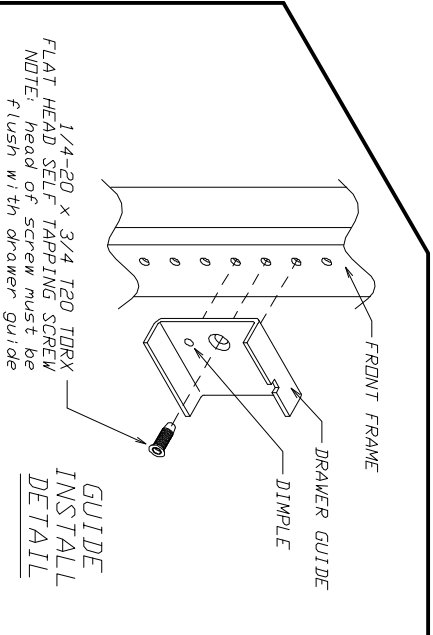
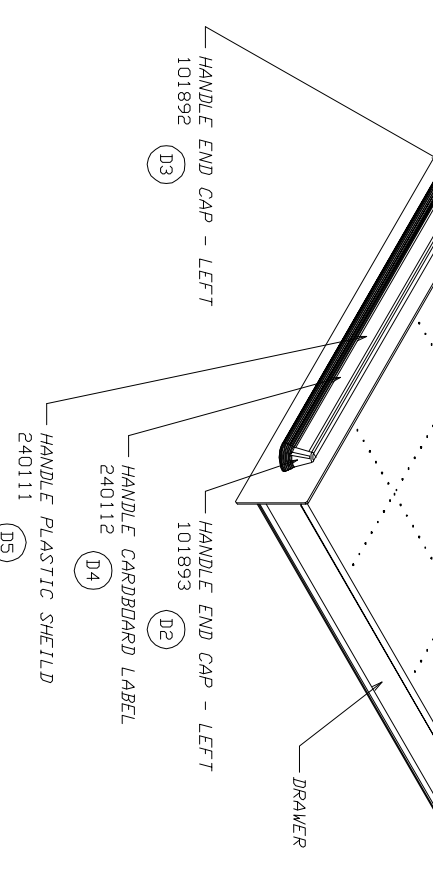
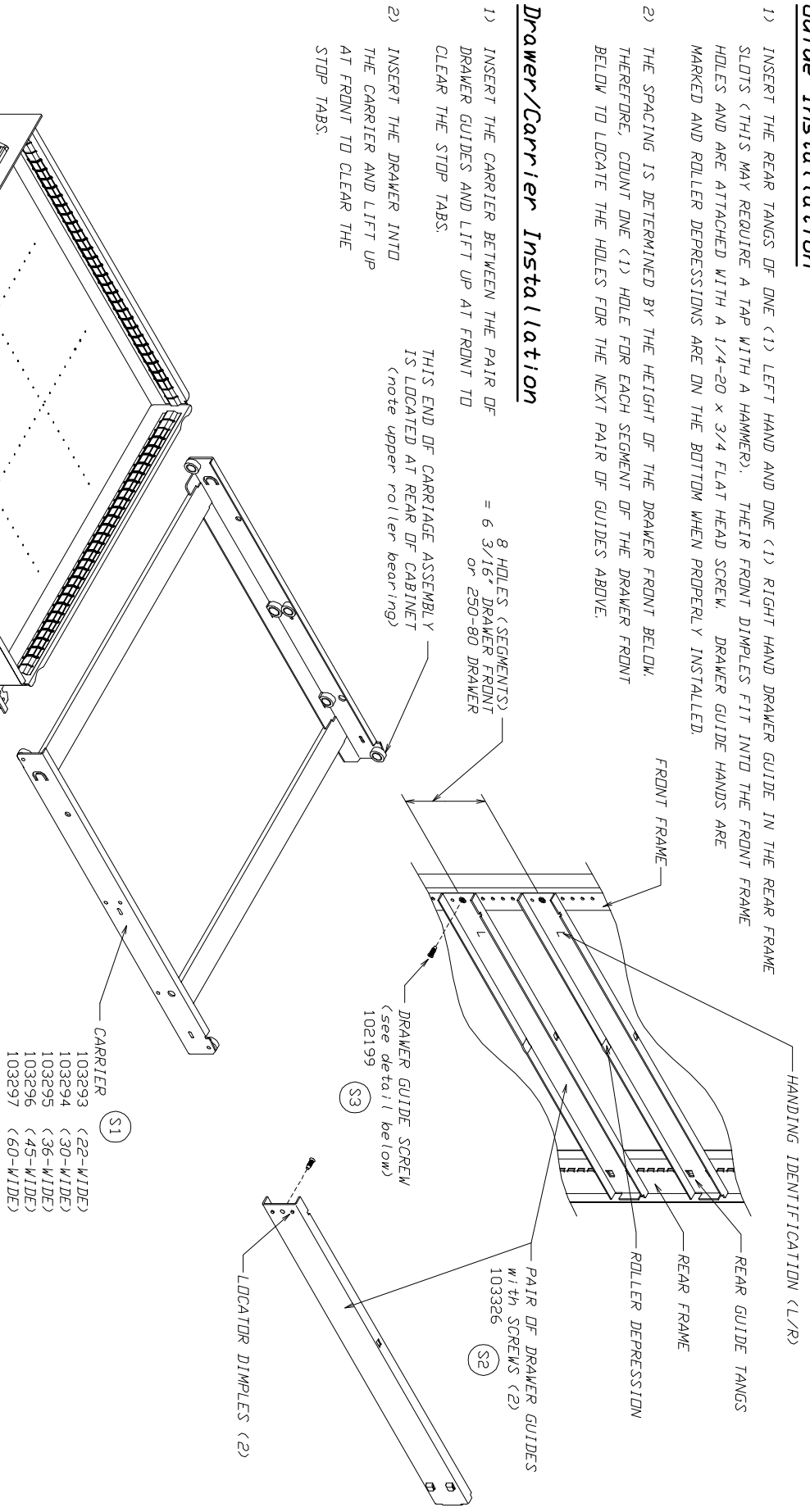
- 2) THE SPACING IS DETERMINED BY THE HEIGHT OF THE DRAWER FRONT BELOW. THEREFORE, COUNT ONE (1) HOLE FOR EACH SEGMENT OF THE DRAWER FRONT BELOW TO LOCATE THE HOLES FOR THE NEXT PAIR OF GUIDES ABOVE.

## Drawer/Carrier Installation

- 1) INSERT THE CARRIER BETWEEN THE PAIR OF DRAWER GUIDES AND LIFT UP AT FRONT TO CLEAR THE STOP TABS.
- 2) INSERT THE DRAWER INTO THE CARRIER AND LIFT UP AT FRONT TO CLEAR THE STOP TABS.

8 HOLES (SEGMENTS) = 6 3/16" DRAWER FRONT or 250-80 DRAWER

THIS END OF CARRIAGE ASSEMBLY IS LOCATED AT REAR OF CABINET (note upper roller bearing)



- CARRIER (S1)
- 103293 (22-WIDE)
  - 103294 (30-WIDE)
  - 103295 (36-WIDE)
  - 103296 (45-WIDE)
  - 103297 (60-WIDE)

**LYON**

P.O. Box 671  
AURORA, IL 60507-0671  
PHONE: 630-892-8841  
FAX: 800-867-4681

NOTICE: THIS IS A CONFIDENTIAL DISCOUNT LOANED BY LYON WORKSPACE FOR REFERENCE PURPOSES ONLY

DATE	DRAWN BY	CHECKED BY
01-31-12	JR	DWV

DESCRIPTION

INSTALLATION

DRW GUIDE ATTACHMENT/DRW CARRIER

MDC

SHEET	DRAWING NUMBER	REV
-	SS0524	1