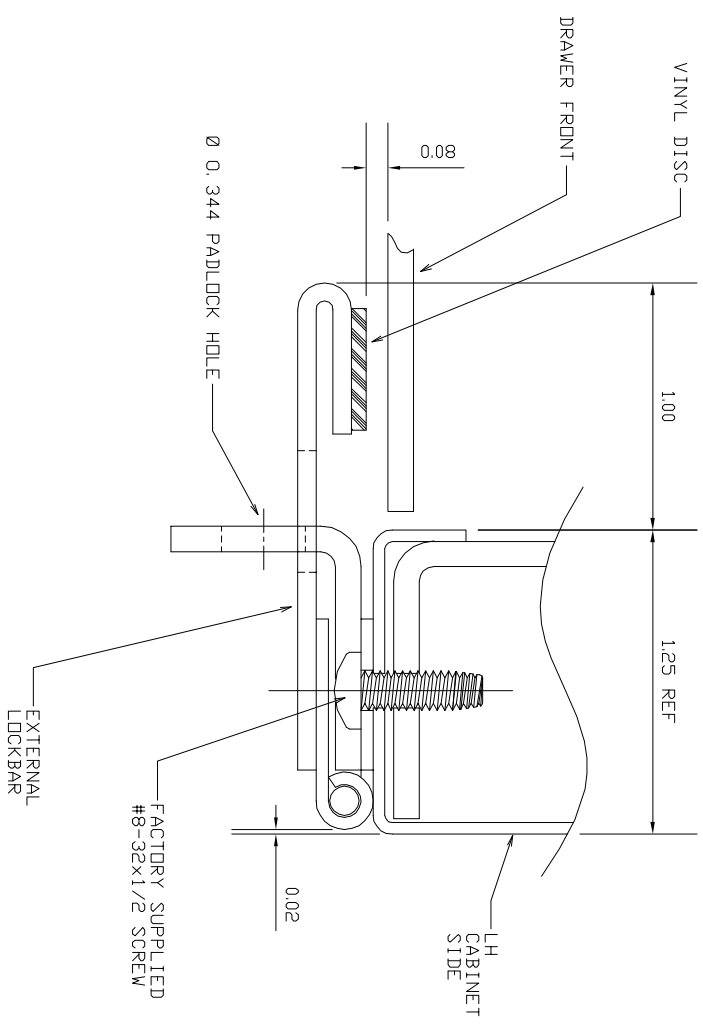


RIGHT HAND FRONT VIEW of CABINET



- 1) DRILL TOP AND BOTTOM HOLES INTO THE RIGHT FRONT SIDE OF HOUSING AS SHOWN USING A #27 DRILL (\varnothing 0.144).
- 2) FASTEN EXTERNAL LOCKBAR TO CABINET USING #8-32x1/2 PHILLIPS PAN HEAD TAPITTE THREAD FORMING SCREWS.
- 3) ADJUST EXTERNAL LOCKBAR FOR FIT, TIGHTEN SCREWS.
- 4) USING THE HINGE LEAF AS A GUIDE, DRILL REMAINING HOLES AND FASTEN SCREWS.

LYON
 P.O. Box 671
 AURORA, IL 60507-0671
 PHONE: 630-892-8841
 FAX: 800-287-4681

NOTICE: THIS IS A CONFIDENTIAL DISCLOSURE LOANED BY LYON WORKSPACE FOR REFERENCE PURPOSES ONLY

DATE	DRAWN BY	CHECKED BY
01-28-12	JR	DWV

DESCRIPTION
INSTALLATION
EXTERNAL LOCKBAR
 MDC

SHEET	DRAWING NUMBER	REV
-	SS0865	1