

## DRAWER REMOVAL FOR 251 SERIES MULTIPLE DRAWER ACCESS:

- 1) Be sure that the cabinet lock is in the unlocked state.
- 2) Starting with the top drawer, remove it along with the carrier, keeping the two items together and mark as drawer 1 for reinstallation.
- 3) Continue with the same process for the second drawer from the top and so on down to the last drawer on the bottom.

## DRAWER RE-INSTALLATION FOR 251 SERIES MULTIPLE DRAWER ACCESS:

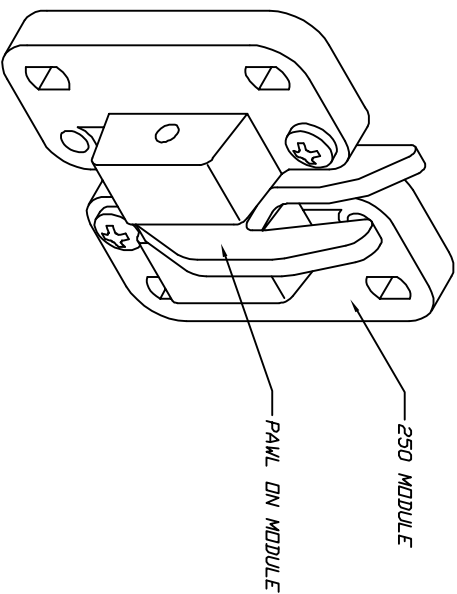
- 1) Be sure that the cabinet lock is in the unlocked state.
- 2) Starting with the bottom drawer, re-install it along with the carrier, keeping the two items together.
- 3) Continue with the same process for the second drawer from the bottom and continue on up to the first drawer on the top.

## DRAWER REMOVAL FOR 250 SERIES SINGLE DRAWER ACCESS:

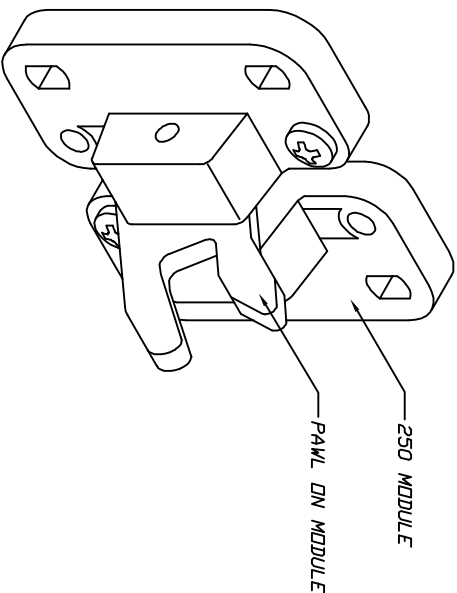
- 1) Be sure that the cabinet lock is in the unlocked state.
- 2) Starting with the top drawer, remove it along with the carrier, keeping the two items together and mark as drawer 1 for reinstallation.
- 3) Reach back with your hand or another device and flip the pawl on the exposed module to the closed position. Now you can remove the next drawer.
- 4) Continue with the same process for the second drawer from the top and so on down to the last drawer on the bottom.
- 5) NOTE: ONLY ONE PAWL CAN BE IN THE "OPEN POSITION" AT A TIME.

## DRAWER RE-INSTALLATION FOR 250 SERIES SINGLE DRAWER ACCESS:

- 1) Be sure that the cabinet lock is in the unlocked state.
- 2) Reach back with your hand or another device and flip the pawl on the bottom module to the open position. Now you can re-install the drawer.
- 3) Continue with the same process for the second drawer from the bottom and continue on up to the first drawer on the top.



"CLOSED POSITION"



"OPEN POSITION"

**LYON**

P.O. Box 671  
AURORA, IL 60507-0671  
PHONE: 630-892-8941  
FAX: 800-367-6681

NOTICE: THIS IS A CONFIDENTIAL DISCOGNITION LOANED BY LYON WORKSPACE FOR REFERENCE PURPOSES ONLY

DATE	DRAWN BY	CHECKED BY
07-19-12	JR	DMV

DESCRIPTION

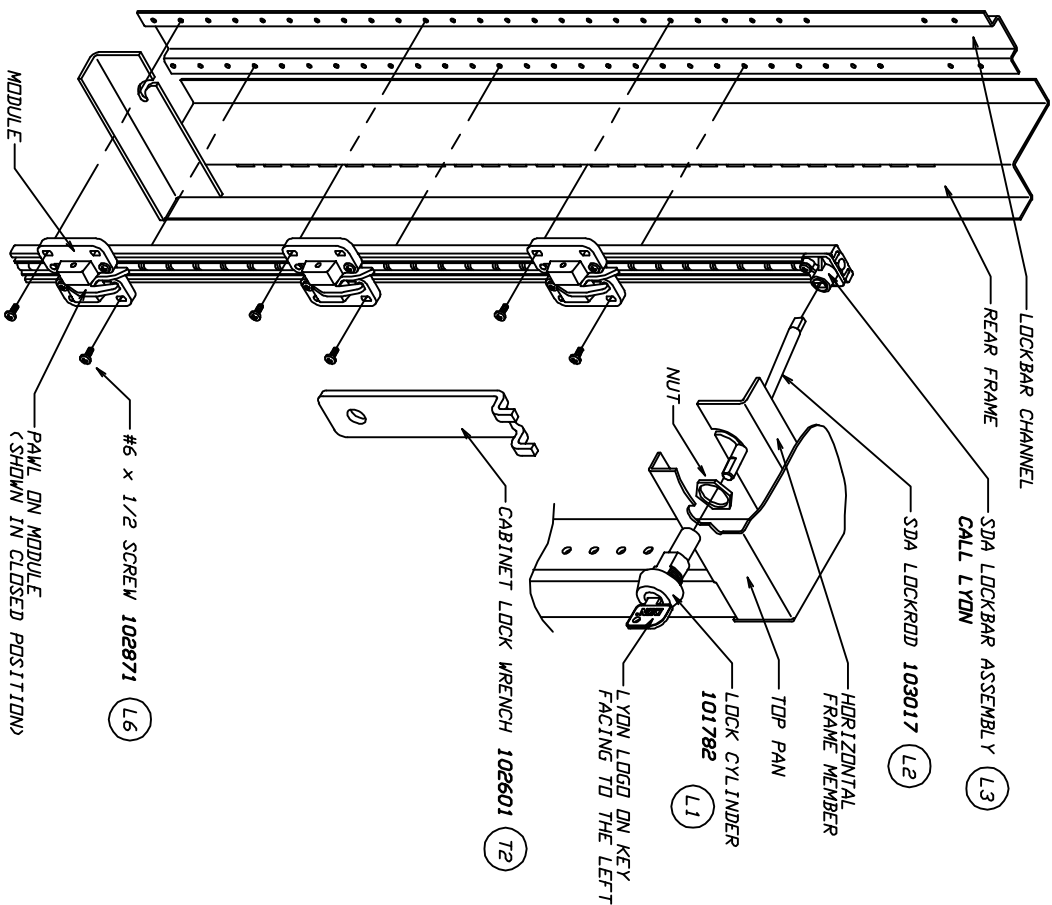
INSTALLATION  
LOCKSYSTEM REPLACEMENT  
MDC

SHEET	DRAWING NUMBER	REV
1	SS1322	2

## 250 SERIES SINGLE DRAWER ACCESS

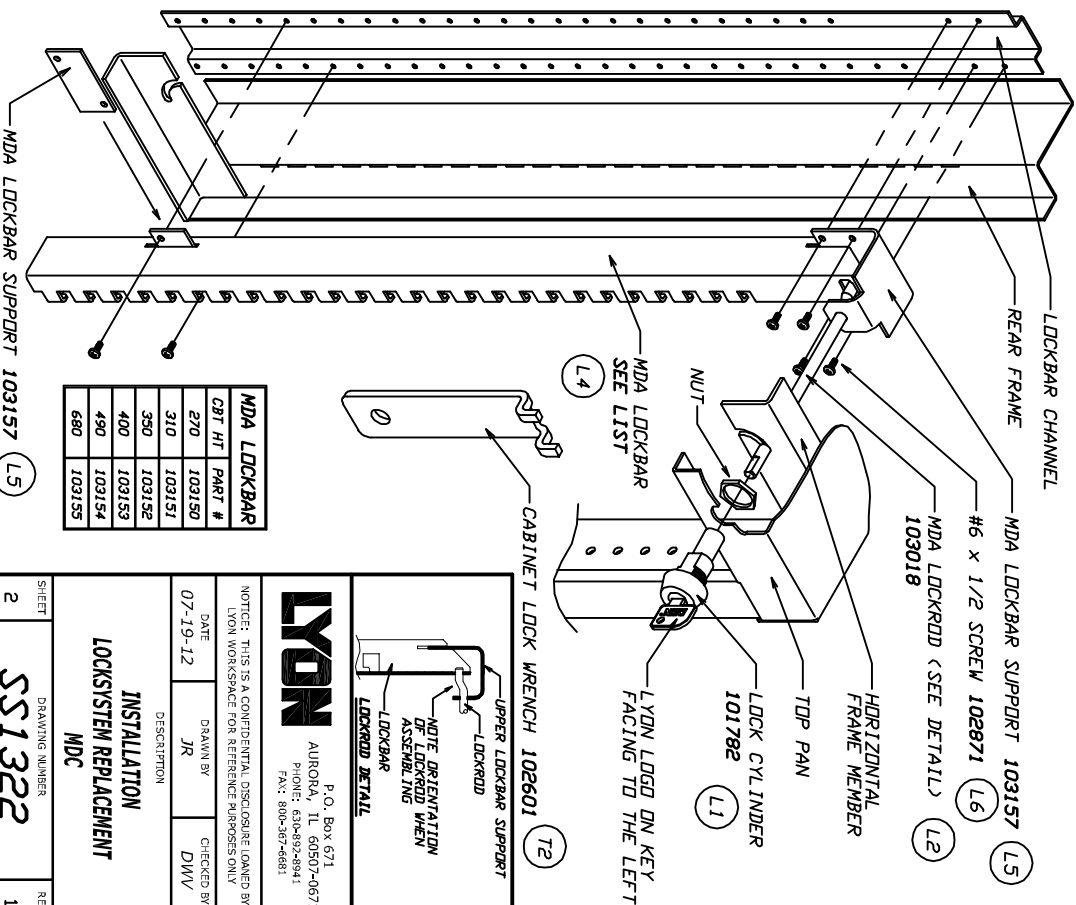
- 1) REMOVE ALL DRAWERS AND CARRIERS PER INSTRUCTIONS ON SHEET 1 IN MATCHED SETS FROM CABINET.
- 2) LOOSEN THE NUT FROM THE LOCK CYLINDER WITH A WRENCH AND REMOVE THE LOCK CYLINDER.
- 3) SLIDE THE LOCKROD OUT OF THE FRAME MEMBER.

- 4) REMOVE LOCKROD FROM LOCKBAR ASSEMBLY. REMOVE (2) SCREWS FROM EACH MODULE AND REMOVE LOCKBAR ASSEMBLY FROM CHANNEL.
- 5) PLACE NEW LOCKBAR ASSEMBLY INTO THE CHANNEL AS SHOWN, LETTING IT REST ON THE BOTTOM OF THE CABINET. INSURE THAT THE PAWLS ARE CLOSED AS SHOWN.
- 6) SECURE THE LOCKBAR ASSEMBLY TO THE LOCKBAR CHANNEL AS SHOWN USING #6X1/2 THREAD CUTTING SCREWS. (2 PER MODULE)
- 7) INSTALL LOCKROD INTO LOCKBAR ASSEMBLY AS SHOWN AND SLIP GROOVE OF LOCKROD INTO SLOT OF HORIZONTAL FRAME.
- 8) ROTATE KEY IN LOCK CYLINDER FULL COUNTER-CLOCKWISE AND INSERT INTO HOLE OF TOP PAN. BE SURE THAT THE LYON LOGO ON THE KEY IS FACING LEFT. WHILE INSERTING, PLACE NUT OVER CYLINDER SHAFT INSIDE CABINET AND INSERT END OF LOCKROD INTO BORE OF CYLINDER. TIGHTEN NUT. THE CABINET IS NOW UNLOCKED.

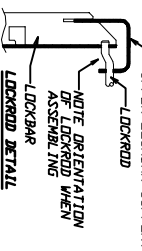


## 251 SERIES MULTIPLE DRAWER ACCESS

- 4) REMOVE SCREWS FROM UPPER AND LOWER LOCKBAR SUPPORTS. REMOVE LOCKBAR FROM CABINET.
- 5) PLACE UPPER LOCKBAR SUPPORT OVER NEW LOCKBAR AS SHOWN. SECURE TO THE LOCKBAR CHANNEL AS SHOWN USING #6X1/2 THREAD CUTTING SCREWS. (4 SCREWS)
- 6) INSERT LOWER LOCKBAR SUPPORT AS SHOWN AND SECURE. (2 SCREWS)
- 7) INSTALL LOCKROD INTO UPPER LOCKBAR SUPPORT MAKING SURE THE OFFSET OF THE LOCKROD IS POSITIONED PER THE DETAIL AND SLIP GROOVE OF LOCKROD INTO SLOT OF HORIZONTAL FRAME.
- 8) ROTATE KEY IN LOCK CYLINDER FULL COUNTER-CLOCKWISE AND INSERT INTO HOLE OF TOP PAN. BE SURE THAT THE LYON LOGO ON THE KEY IS FACING LEFT. WHILE INSERTING, PLACE NUT OVER CYLINDER SHAFT INSIDE CABINET AND INSERT END OF LOCKROD INTO BORE OF CYLINDER. TIGHTEN NUT. THE CABINET IS NOW UNLOCKED.



MDA LOCKBAR	
GBT HT	PART #
270	103150
310	103151
350	103152
400	103153
490	103154
680	103155



**LYON**

P.O. Box 671  
AURORA, IL 60507-0671  
PHONE: 630-892-8941  
FAX: 800-907-6681

NOTICE: THIS IS A CONFIDENTIAL DISCLOSURE LOANED BY LYON WORKSPACE FOR REFERENCE PURPOSES ONLY

DATE: 07-19-12  
DRAWN BY: JR  
CHECKED BY: DWV

DESCRIPTION:  
**INSTALLATION  
LOCKSYSTEM REPLACEMENT  
MDC**

SHEET: 2  
DRAWING NUMBER: **SS1322**  
REV: 1