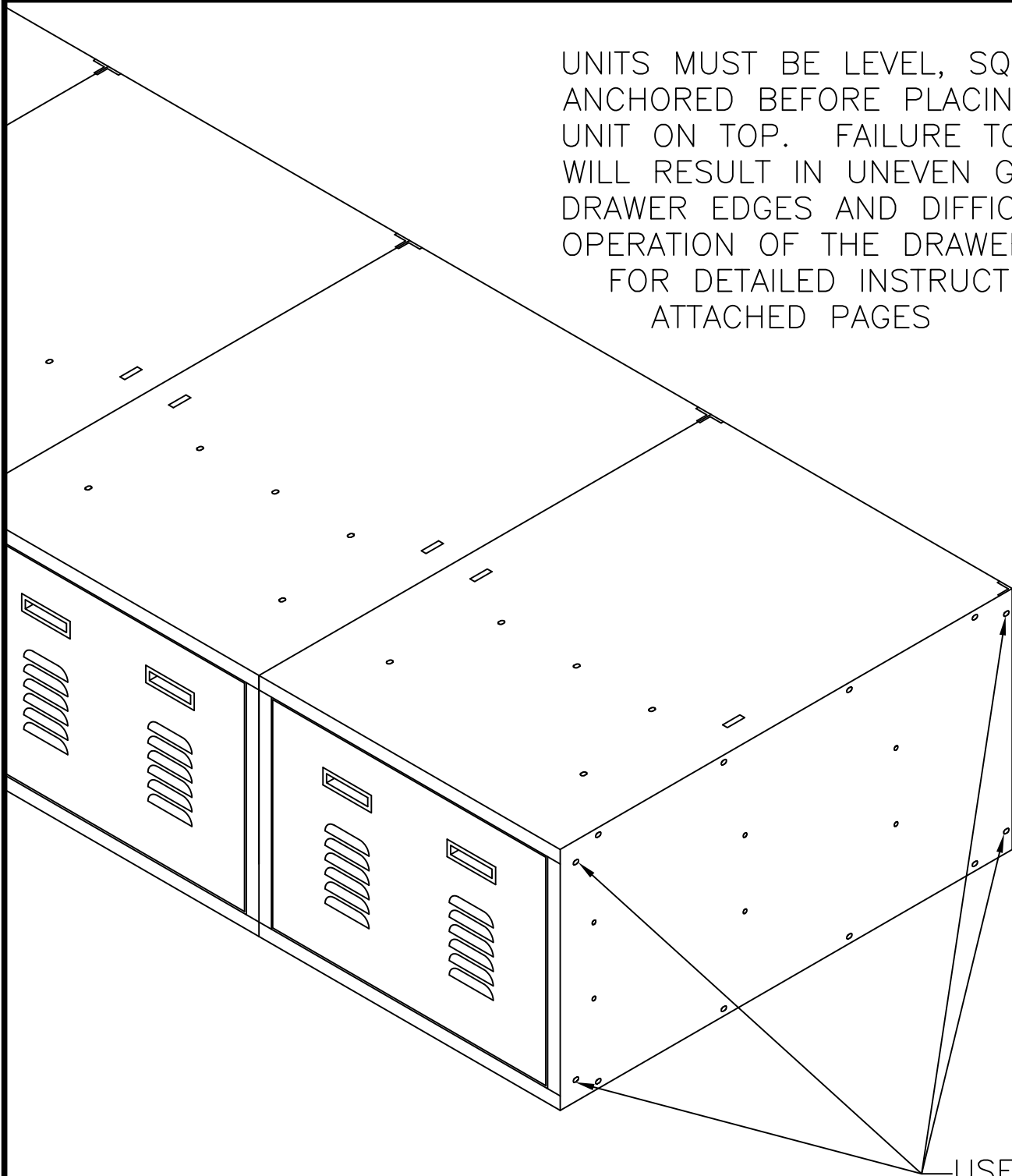


GENERAL BASE UNIT INSTALLATION

UNITS MUST BE LEVEL, SQUARE AND ANCHORED BEFORE PLACING UPPER UNIT ON TOP. FAILURE TO DO SO WILL RESULT IN UNEVEN GAPS ALONG DRAWER EDGES AND DIFFICULT OPERATION OF THE DRAWER LATCH
FOR DETAILED INSTRUCTIONS, SEE ATTACHED PAGES



UNITS SHOULD BE BOLTED TOGETHER TO KEEP UNITS FLUSH AND SQUARE

USE THESE HOLES TO BOLT UNITS TOGETHER

SHEET 1 OF 8

**MISSING PARTS OR IN NEED
OF
ASSEMBLY ASSISTANCE?**

Contact us direct for fast friendly service (800) 433-8488

Int'l calls (630) 892-8941 | WEB: WWW.LYONWORKSPACE.COM | Fax (800) 367-6681

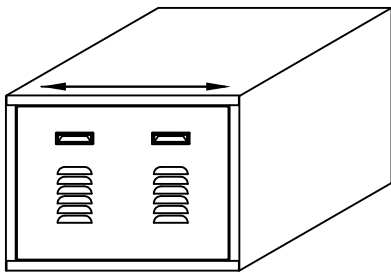
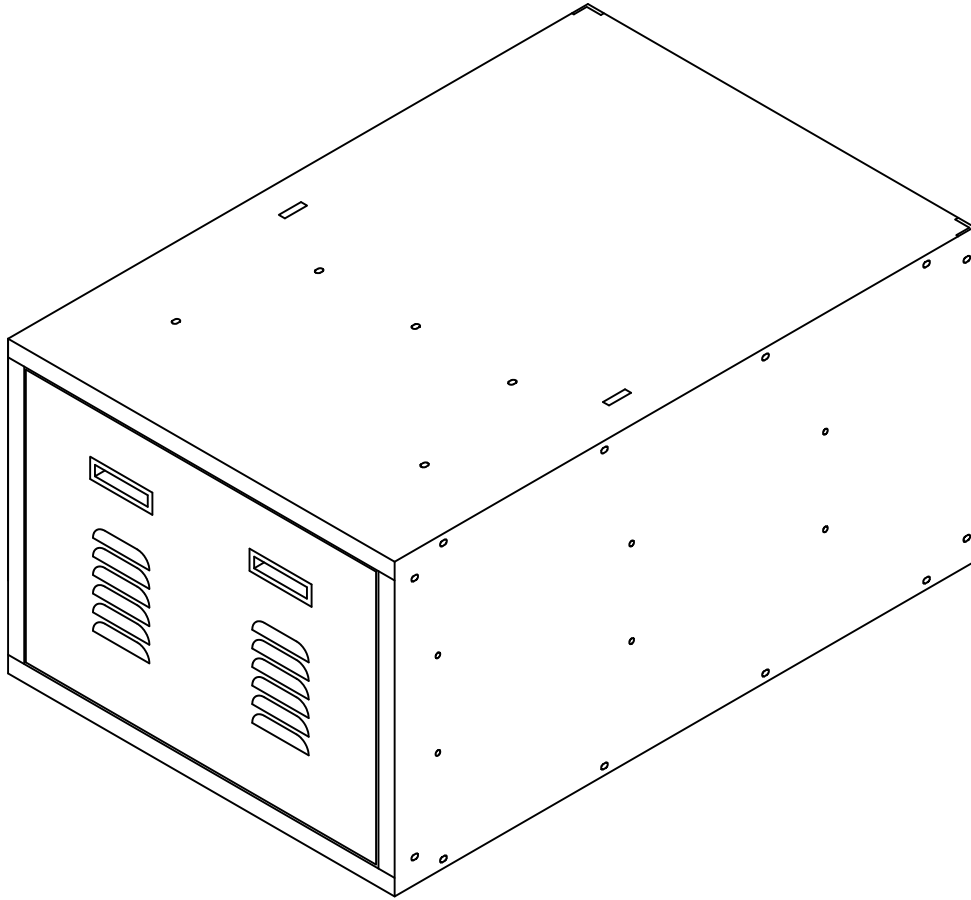
INSTALLATION INSTRUCTIONS
FOR VALOR LOCKERS

LYON  LYON WORKSPACE PRODUCTS
P.O. BOX 671
AURORA, IL 60507

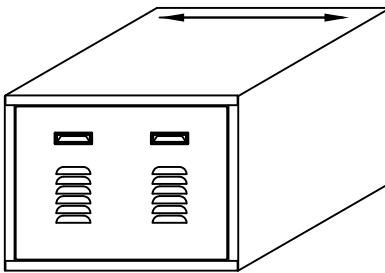
6235-AA

BASE UNIT INSTALLATION

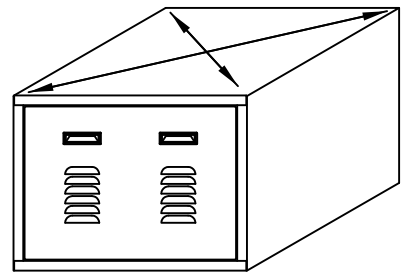
DETERMINE STARTING POINT AND LEVEL FIRST UNIT



LEVEL ACROSS
FRONT OF UNIT



LEVEL ACROSS
BACK OF UNIT



DOUBLE CHECK
ACROSS DIAGONALS

SHEET 2 OF 8

**MISSING PARTS OR IN NEED
OF
ASSEMBLY ASSISTANCE?**

Contact us direct for fast friendly service (800) 433-8488

Int'l calls (630) 892-8941 | WEB: WWW.LYONWORKSPACE.COM | Fax (800) 367-6681

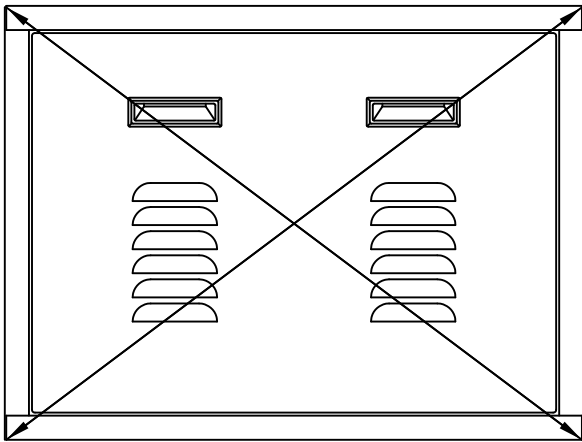
INSTALLATION INSTRUCTIONS
FOR VALOR LOCKERS

LYON  LYON WORKSPACE PRODUCTS
P.O. BOX 671
AURORA, IL 60507

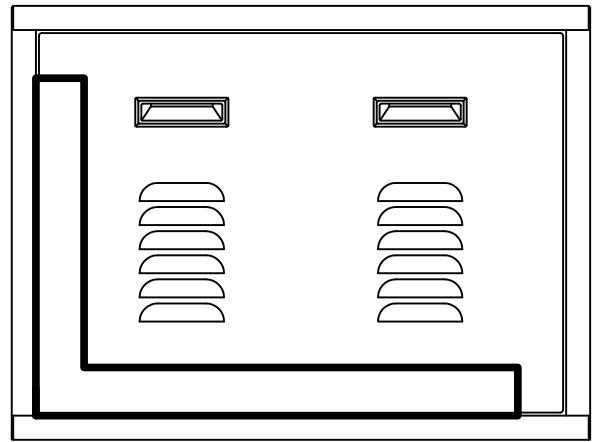
6235-AA

BASE UNIT INSTALLATION

MAKE SURE THE UNIT IS SQUARE BY ONE OF THE TWO FOLLOWING METHODS:



MEASURE ACROSS DIAGONALS



USE FRAMING SQUARE

ANCHOR UNIT TO BASE AND TO WALL TO KEEP UNIT SQUARE FOR REMAINDER OF INSTALL

SHEET 3 OF 8

**MISSING PARTS OR IN NEED
OF
ASSEMBLY ASSISTANCE?**

Contact us direct for fast friendly service (800) 433-8488

Int'l calls (630) 892-8941 | WEB: WWW.LYONWORKSPACE.COM | Fax (800) 367-6681

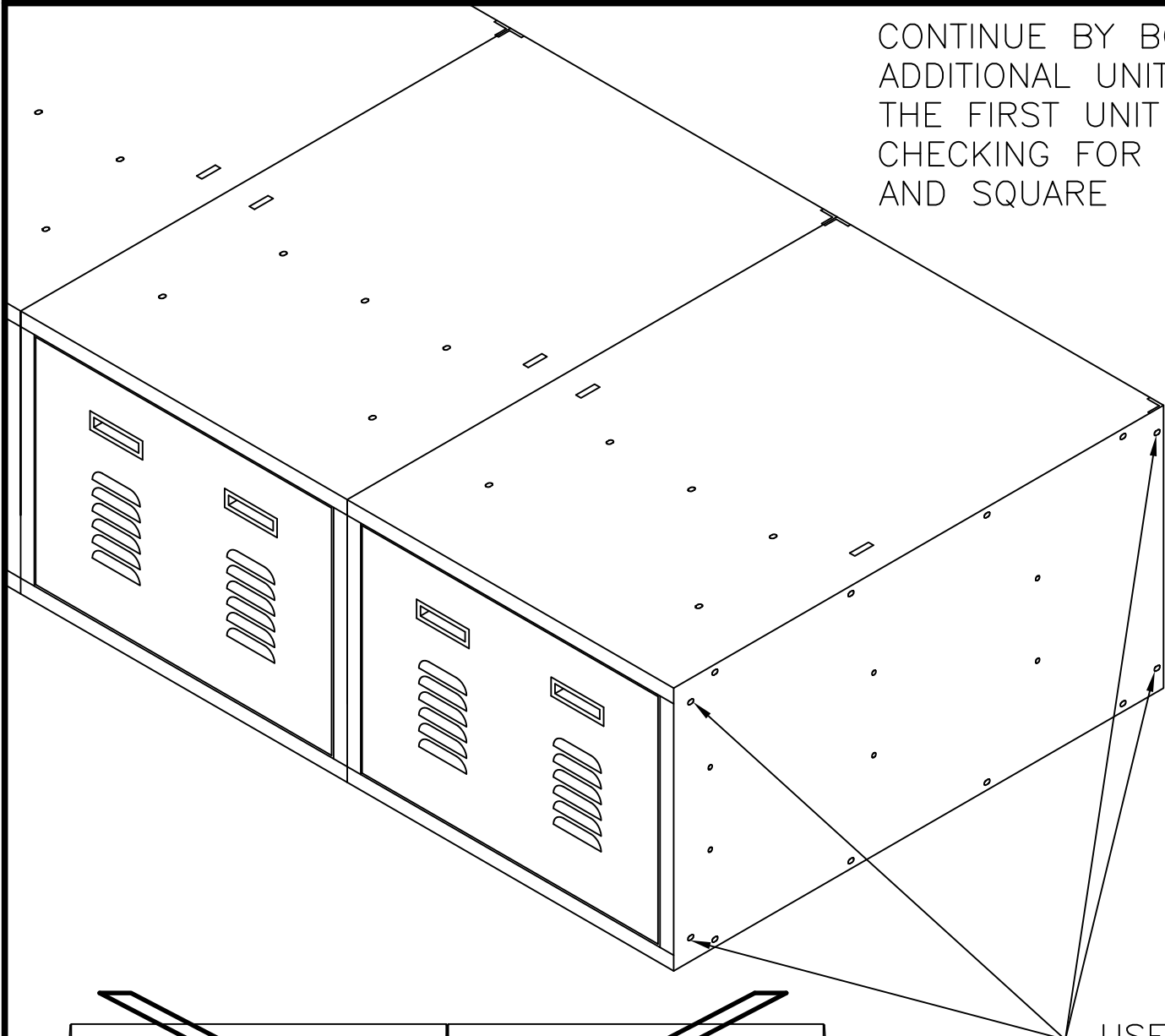
INSTALLATION INSTRUCTIONS
FOR VALOR LOCKERS

LYON  LYON WORKSPACE PRODUCTS
P.O. BOX 671
AURORA, IL 60507

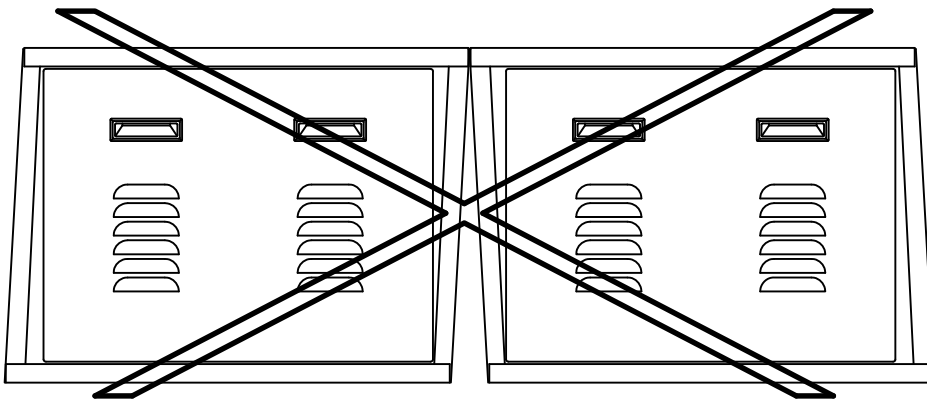
6235-AA

BASE UNIT INSTALLATION

CONTINUE BY BOLTING
ADDITIONAL UNITS TO
THE FIRST UNIT AND
CHECKING FOR LEVEL
AND SQUARE



USE THESE
HOLES TO
BOLT UNITS
TOGETHER



THIS EXAGGERATED DETAIL SHOWS WHAT CAN HAPPEN
IF THE UNITS ARE NOT BOLTED TOGETHER AND
SQUARED PROPERLY

SHEET 4 OF 8

**MISSING PARTS OR IN NEED
OF
ASSEMBLY ASSISTANCE?**

Contact us direct for fast friendly service (800) 433-8488

Int'l calls (630) 892-8941 | WEB: WWW.LYONWORKSPACE.COM | Fax (800) 367-6681

INSTALLATION INSTRUCTIONS
FOR VALOR LOCKERS

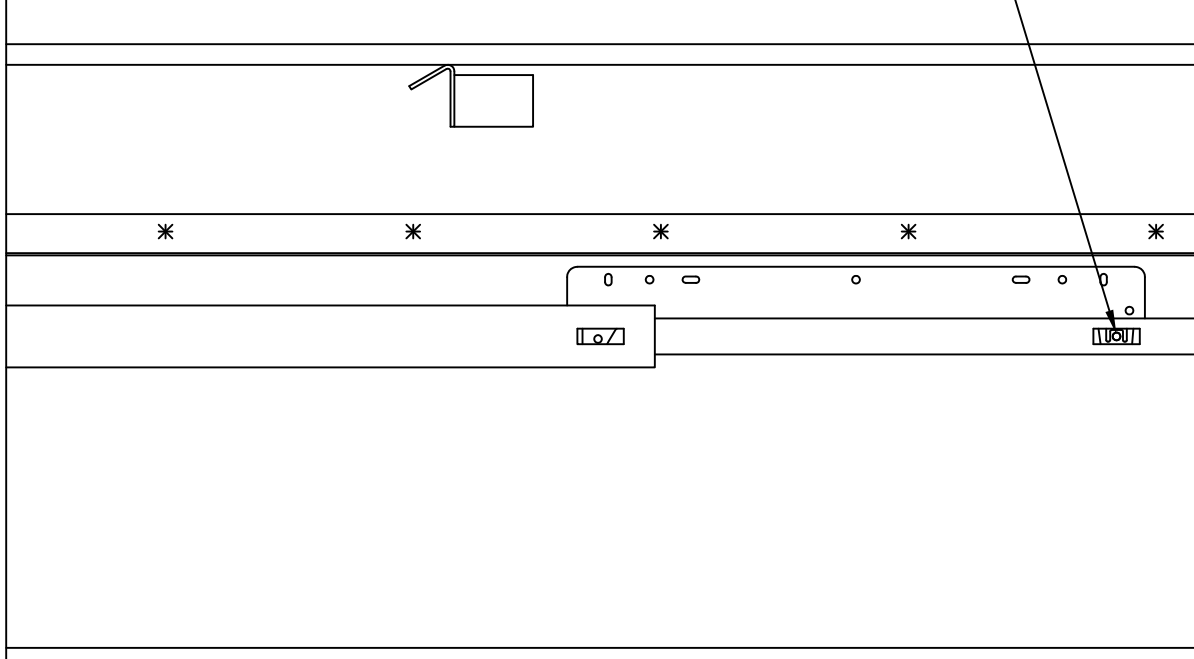
LYON  LYON WORKSPACE PRODUCTS
P.O. BOX 671
AURORA, IL 60507

6235-AA

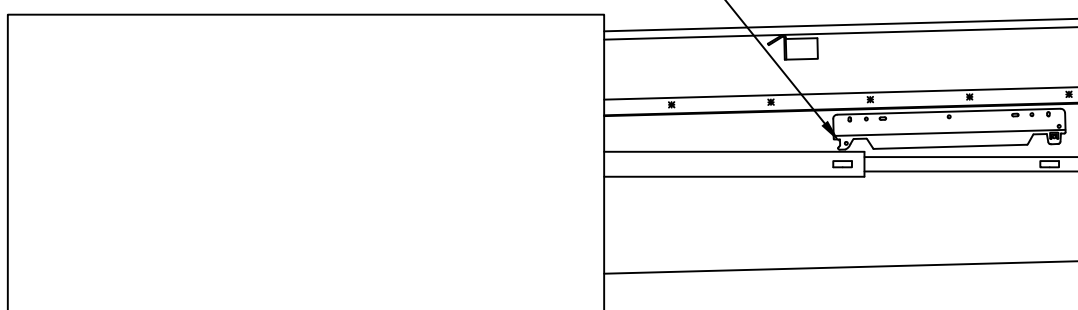
DRAWER REMOVAL & INSTALLATION

REMOVE THE TWO RETAINING SCREWS HOLDING DRAWER TO SLIDES IN ORDER TO REMOVE THE DRAWER FROM CASE. THEN PROCEED TO LIFT OUT DRAWER.

REMOVE THIS SCREW FROM EACH SIDE



DO NOT BEND THESE TABS, AS DRAWER MISALIGNMENT WILL RESULT



TO INSTALL DRAWER:

PLACE DRAWER BODY ON TOP OF DRAWER SLIDES WITH THE REAR OF THE DRAWER INSIDE THE DRAWER CASE. MOVE ONE SLIDE TO MATCH UP TO THE RAIL ON THE DRAWER AND DROP THE REAR OF THE DRAWER INTO THE SLOT. MATCH UP THE OTHER REAR SIDE AND THEN DROP THE FRONT OF THE DRAWER DOWN INTO THE FRONT SLOTS. REINSTALL RETAINING SCREWS.

SHEET 5 OF 8

**MISSING PARTS OR IN NEED
OF
ASSEMBLY ASSISTANCE?**

Contact us direct for fast friendly service (800) 433-8488

Int'l calls (630) 892-8941 | WEB: WWW.LYONWORKSPACE.COM | Fax (800) 367-6681

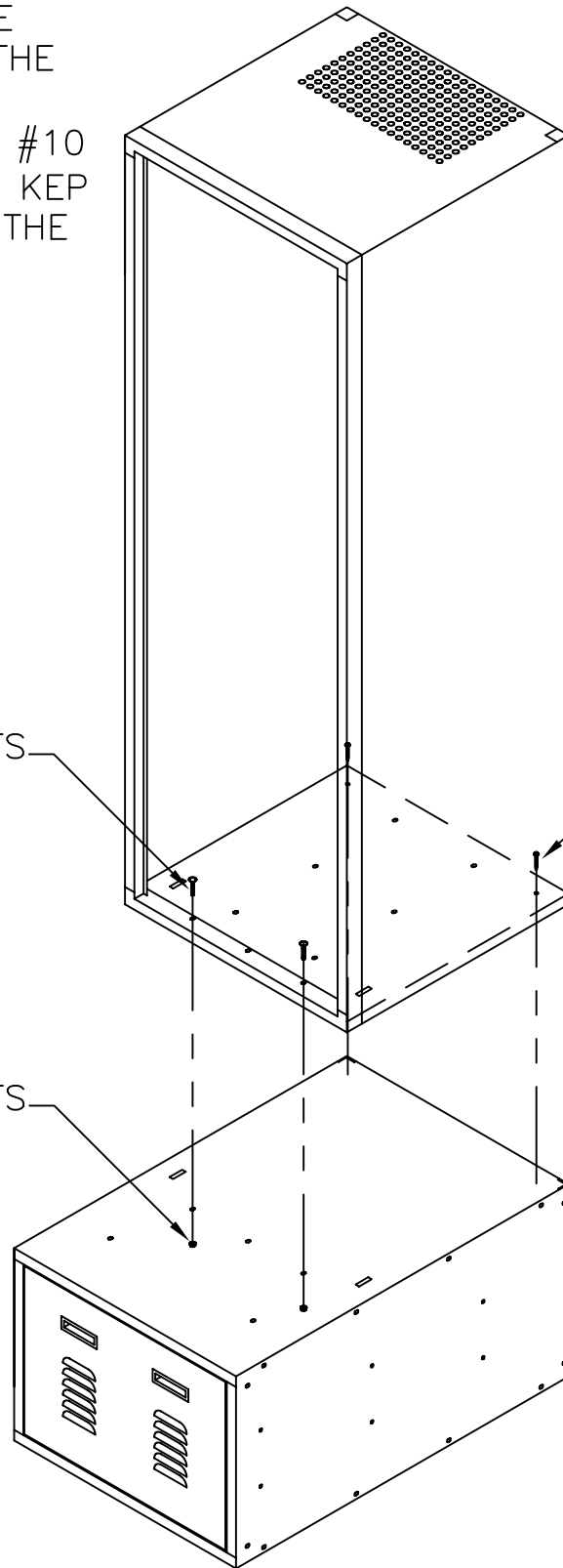
INSTALLATION INSTRUCTIONS
FOR VALOR LOCKERS

LYON  LYON WORKSPACE PRODUCTS
P.O. BOX 671
AURORA, IL 60507

6235-AA

UPPER UNIT INSTALLATION

AFTER ANCHORING THE BASE UNITS, ATTACH THE UPPER UNIT TO THE LOWER UNIT WITH (2) #10 x 1 1/2" BOLTS AND KEP NUTS. ALSO ATTACH THE REAR CORNERS WITH 1 1/2" TEK SCREWS.



NOTE:
LOCKER DOOR AND
INTERIOR COMPONENTS
NOT SHOWN FOR
CLARITY

#10 x 1 1/2" BOLTS

#12 TEK
SCREWS

#10 KEP NUTS

ANCHOR UPPER
UNIT IN AN
APPROVED MANNER

SHEET 6 OF 8

**MISSING PARTS OR IN NEED
OF
ASSEMBLY ASSISTANCE?**

Contact us direct for fast friendly service (800) 433-8488

Int'l calls (630) 892-8941 | WEB: WWW.LYONWORKSPACE.COM | Fax (800) 367-6681

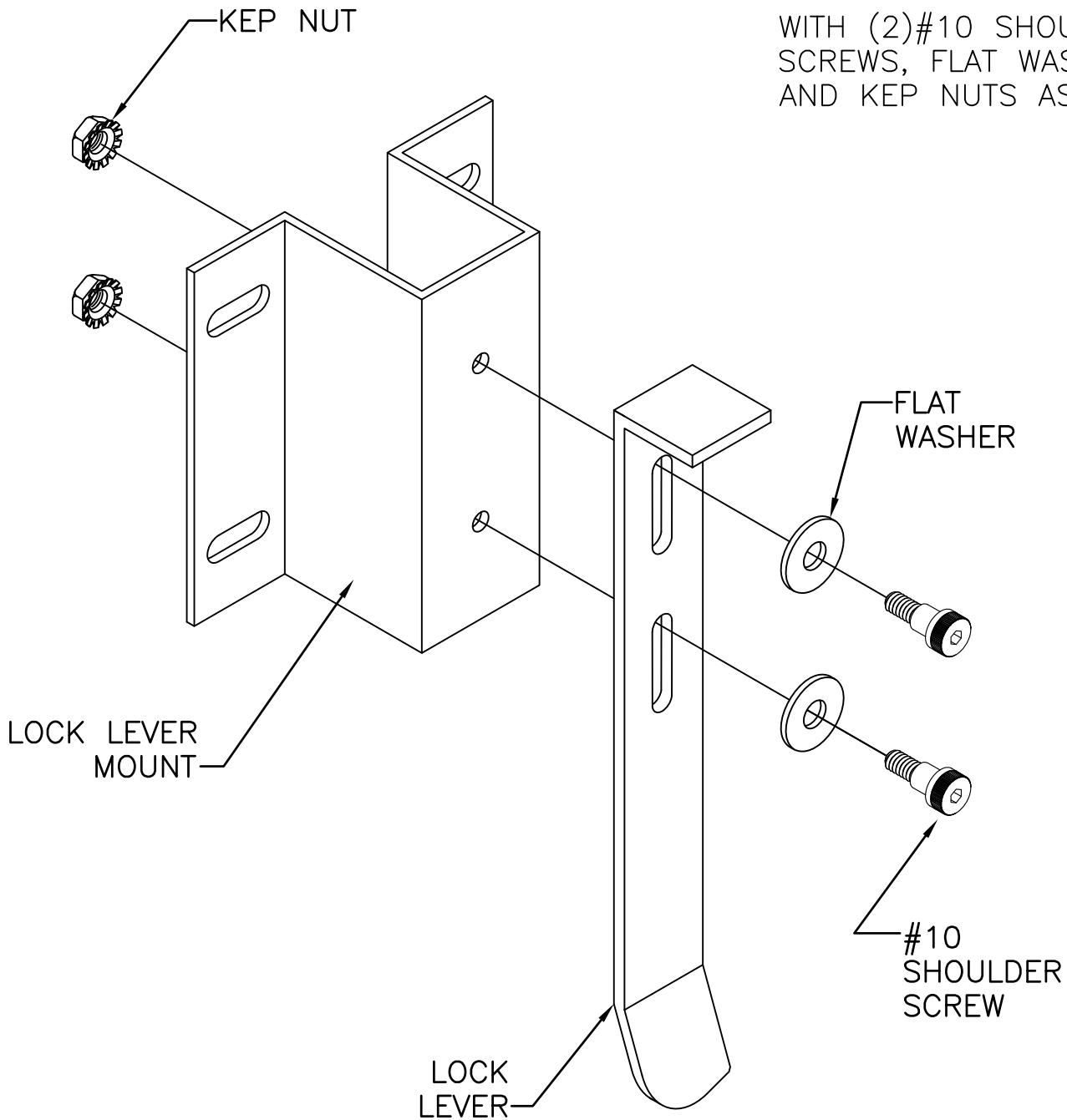
INSTALLATION INSTRUCTIONS
FOR VALOR LOCKERS

LYON  LYON WORKSPACE PRODUCTS
P.O. BOX 671
AURORA, IL 60507

6235-AA

DRAWER LATCH ASSEMBLY

ATTACH DRAWER LOCK LEVER TO LEVER MOUNT WITH (2)#10 SHOULDER SCREWS, FLAT WASHERS AND KEP NUTS AS SHOWN.



SHEET 7 OF 8

**MISSING PARTS OR IN NEED
OF
ASSEMBLY ASSISTANCE?**

Contact us direct for fast friendly service (800) 433-8488

Int'l calls (630) 892-8941 | WEB: WWW.LYONWORKSPACE.COM | Fax (800) 367-6681

INSTALLATION INSTRUCTIONS
FOR VALOR LOCKERS

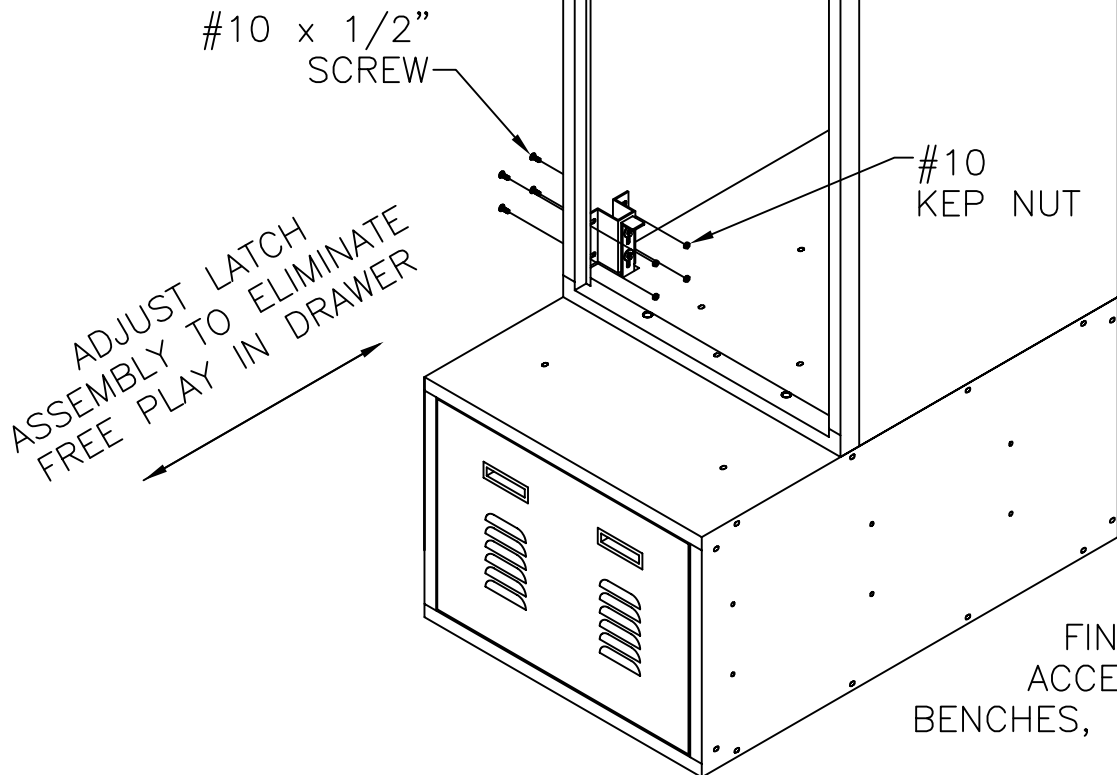
LYON  LYON WORKSPACE PRODUCTS
P.O. BOX 671
AURORA, IL 60507

6235-AA

DRAWER LATCH INSTALLATION

ATTACH DRAWER LATCH
ASSEMBLY TO LOCKER UNIT
WITH (4) #10 SCREWS
AND KEP NUTS AS SHOWN

NOTE:
LOCKER DOOR AND
INTERIOR COMPONENTS
NOT SHOWN FOR
CLARITY



SHEET 8 OF 8

**MISSING PARTS OR IN NEED
OF
ASSEMBLY ASSISTANCE?**

Contact us direct for fast friendly service (800) 433-8488

Int'l calls (630) 892-8941 | WEB: WWW.LYONWORKSPACE.COM | Fax (800) 367-6681

INSTALLATION INSTRUCTIONS
FOR VALOR LOCKERS

LYON LYON WORKSPACE PRODUCTS
P.O. BOX 671
AURORA, IL 60507

6235-AA