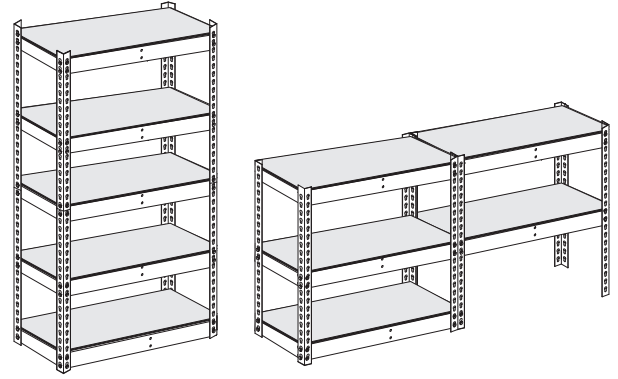




Industrial Grade 5-Shelf Rack

- Drop in design assembles in minutes
- Includes posts, beams, supports and decking
- Build as side-by-side or stacked configuration
- Duradeck™ smooth decking panels
- Durable powder coat finish in Dove Gray



Thank you for purchasing this Lyon product. We've created these easy-to-follow instructions to ensure you spend less time assembling and more time enjoying your product! However, if you need more information please call our customer service department at 800-323-0082.

SAFETY INFORMATION

Please read and understand this entire manual before attempting to assemble, operate, or install the product.

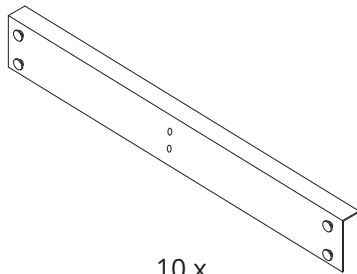
CAUTION

- Shelf capacity - The capacity is based on evenly distributed weight. Concentrating the weight unevenly will reduce the shelf capacity.
- Follow instructions carefully - This storage rack must be assembled carefully and in accordance with the assembly instructions
- Do not climb on racks, during or after installation.
- In the interest of safety, Lyon strongly recommends this unit be floor and/or wall anchored.
- Do not cut, weld, or modify any of the storage rack components - Any modification may reduce the load capacity of the components and damage the integrity of the rack structure, therefore causing a safety hazard. Any modification to any storage rack components will void any warranties and guarantees.
- Storage rack unit must be installed level, plumb, and square. Shimming may be required to ensure a level rack installation.
- Do not install the storage rack unit outdoors.
- Corrosion and humidity - Do not expose the storage rack to corrosive or harsh material or abnormal humidity. This may cause deterioration and premature corrosion of the steel components.

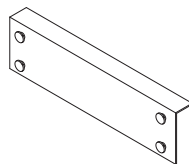
INCLUDED COMPONENTS



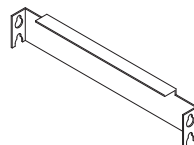
8 x
Angle Posts



10 x
Width Beams



10 x
Depth Beams



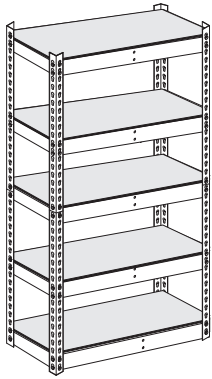
5 x
Center Supports



5 x
Duradeck Panels

RECOMMENDED

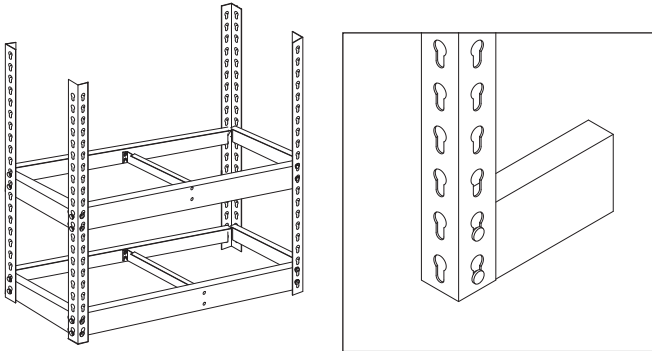
Using a rubber mallet to hit the top edge of the beams can help ensure that the rivets are securely wedged into the post holes.



STACKED CONFIGURATION

This configuration is ideal for taking advantage of your vertical space and utilizes an overall smaller storage footprint.

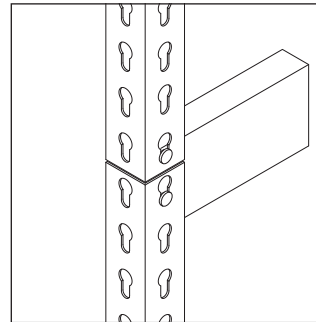
1A - Assemble Lower Half of Shelving Unit



Insert rivets on end of beams into the post holes as shown (above right). Make sure the rivets are properly seated into the post holes. Each level will use 2x width beams and 2x depth beams.

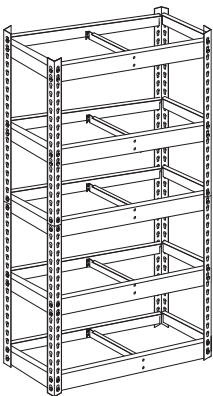
Once the beams are in place, attach the center support by securing it to the rivets on the inside of the front and back beams.

2A - Connect Posts



The center level is used to connect the posts. These beams will have one rivet in the top post and the other rivet in the bottom post securing them together.

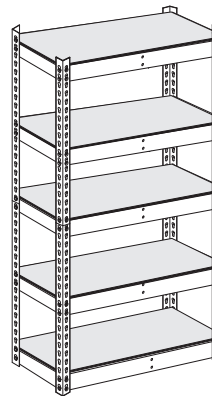
3A - Assemble Remaining Levels



Assemble the last two levels at the desired heights.

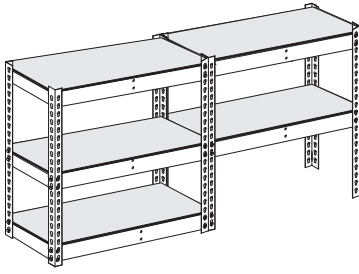
Make sure all levels are properly seated into the post holes and secure.

4A - Add Decking Panels



Add a Duradeck panel onto each level.

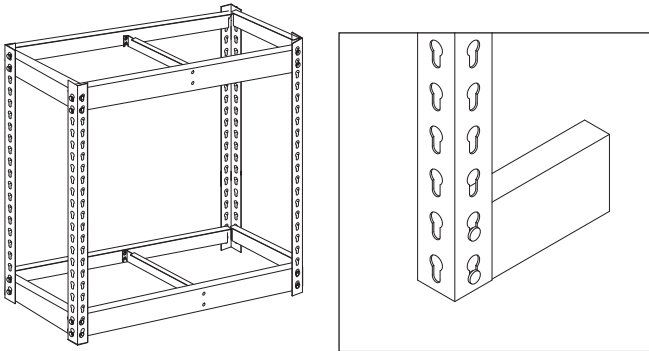
Duradeck panels feature a smooth, non-porous surface that easily wipes clean.



SIDE-BY-SIDE CONFIGURATION

This configuration is ideal for keeping items within reach and can also double as a usable work surface.

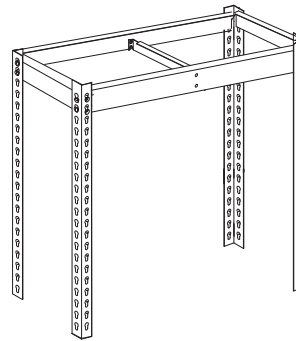
1B - Assemble Left Half of Shelving Unit



Insert rivets on end of beams into the post holes as shown (above right). Make sure the rivets are properly seated into the post holes. Each level will use 2x width beams and 2x depth beams.

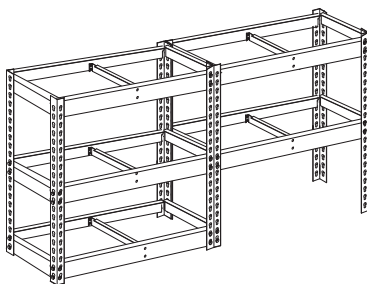
Once the beams are in place, attach the center support by securing it to the rivets on the inside of the front and back beams.

2B - Assemble Right Half of Shelving Unit



Repeat step 1B to create the right side of the shelving unit.

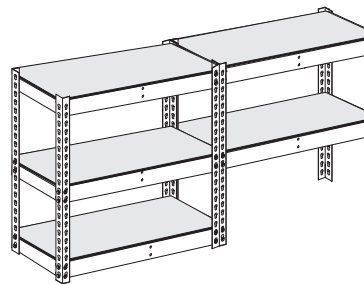
3B - Assemble Remaining Levels



Assemble the last two levels at the desired heights.

Make sure all levels are properly seated into the post holes and secure.

4B - Add Decking Panels



Add a Duradeck panel onto each level.

Duradeck panels feature a smooth, non-porous surface that easily wipes clean.



Thank you for purchasing this Lyon product. If you need more information or assistance with your product, please call our customer service department at 800-323-0082.